

Overall Dimension Changes for PB18 Series Portable Pumps

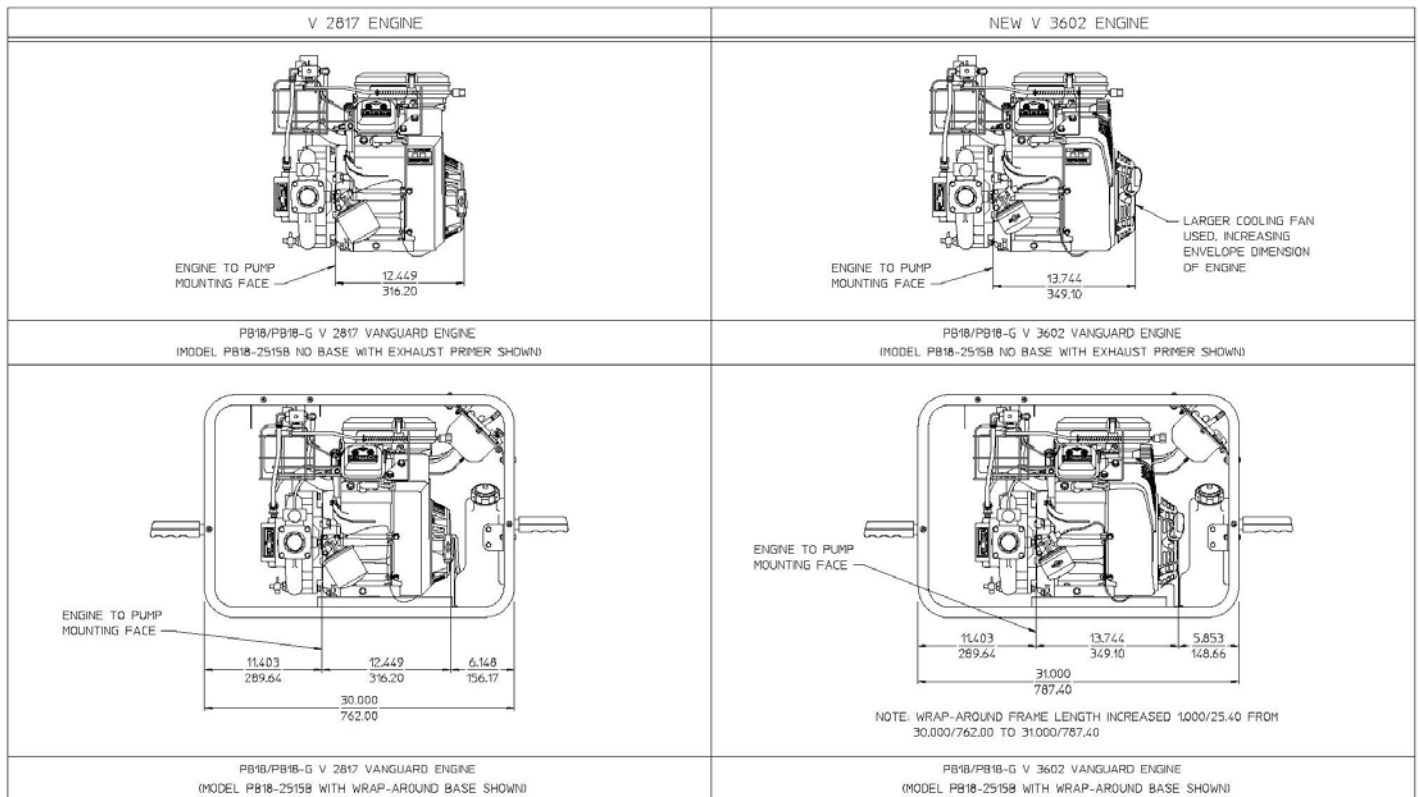
TECHNICAL BULLETIN No. 0100

Models affected: PB18-2515
PB18-3030
PB18-4025
PB18G-2015

On all future orders :**

Due to a change from the engine manufacturer (Briggs & Stratton), all PB18 Series Portable Pump dimensions have changed (see diagram below).

* *Shipped units may have the existing engine until stocked inventories are depleted.*



ALL DIMENSIONS SHOWN
AS INCH/MILLIMETER
(INCH)
(MILLIMETER)

**PB18/PB18-G DIMENSIONAL DIFFERENCES
DUE TO CHANGE FROM ENGINE V 2817 TO V 3602**
NOTE: DIMENSIONS NOT SHOWN ON DRAWING HAVE NOT BEEN CHANGED

Questions? Contact the Applications Department at (651) 450-5234, Press 3.

NOTE: The information in this technical bulletin was current at the time of printing. Waterous reserves the right to change this information.

