



SPECIFICATIONS – CLASS B FOAM OVERBOARD PICK-UP KIT

The Waterous Class B Foam Overboard Pick-Up Kit enables you to add Class B foam quickly to your Waterous foam system without having to have an onboard foam tank. The pick-up connection is plumbed into the foam system of the vehicle. With one connection, Class B Foam can be introduced quickly and easily.



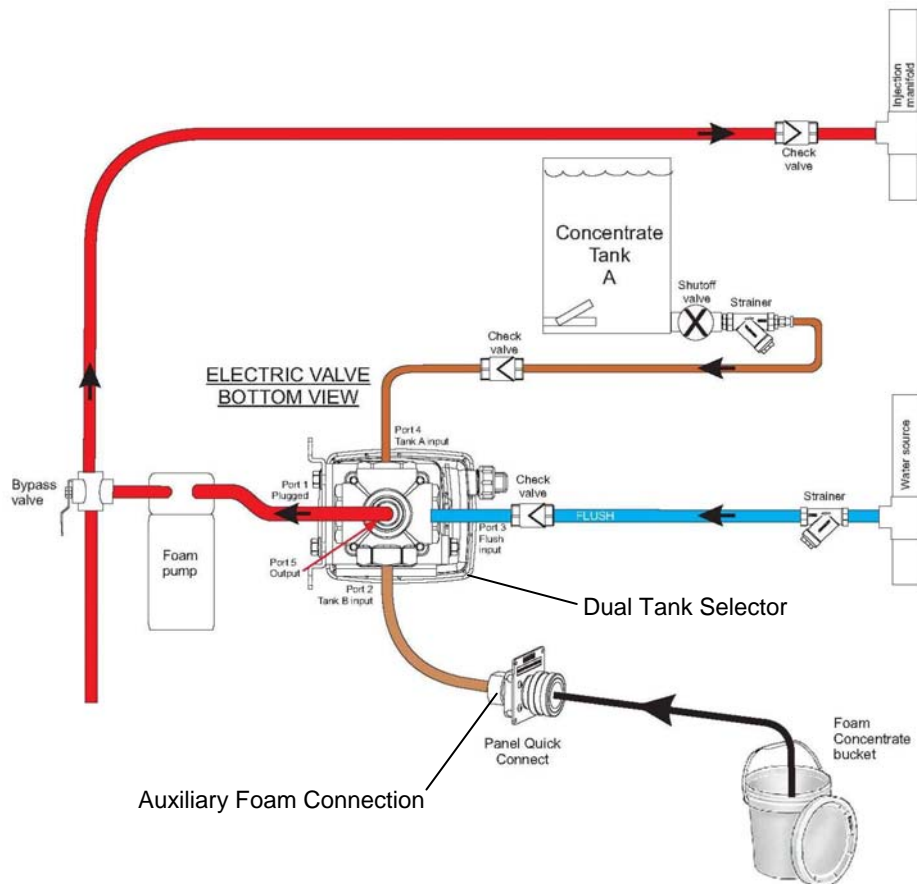
Components:

Auxiliary Foam Connection

The Auxiliary Foam Connection is directly plumbed to the Electronic Dual Tank Selector, used with Waterous Advantus® Foam Systems (see system schematic). Equipped with a quick-connect type connector for quick and easy hose connection. Also equipped with a dust cap when the Overboard Pick-Up Kit is not in use.

Stainless Steel Pick-Up Wand and Hose

A stainless steel pick-up wand and 6 feet of reinforced hose equipped with a 1", non-drip, hydraulic quick-connect type connector constructed of brass or optional stainless steel with a spring-loaded release collar is used to draw the Class B foam into the foam system through the Auxiliary Foam Connection.



Industry-Leading Sales and Support

When you purchase Waterous equipment, not only do you get quality products, you get quality service. Our expert service technicians are the best in the business and they are always happy to answer any service questions you might have.

Sales/Applications Assistance
 Phone: 651-450-5234 (Press 3)
 pumpsales@waterousco.com

Service Assistance
 Phone: 651-450-5200
 Fax: 800-488-1228
 service@waterousco.com