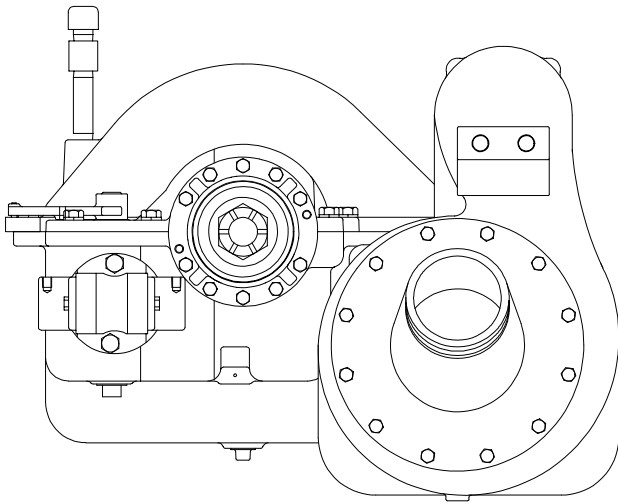


## RF-600 Refueler

Form No.	Issue Date	Rev. Date
F-2202	04/93	12/09/04



### RF-600 Self-Priming Pump

The RF-600's hydraulic design allows a nominal 600 GPM rating with generous surplus capacity. In situations where a standard PTO attack fire pump cannot provide the necessary power, the RF-600 is the right choice.

Compact and lightweight, the RF-600 is built to accommodate the chassis of most commercially built fire trucks and tankers.

The split shaft pump transmission and the pump are engineered and built by Waterous, the leading manufacturer of mid-ship fire pumps using split shaft transmissions.

#### Standard Features:

- Hard anodized aluminum construction
- "Silent" Morse HV<sup>®</sup>\* chain drive transmission
- Self-priming
- Air shift
- Victaulic connections for ease of piping and service

\*Registered trade name of Emerson Power Transmission Corp.

#### Pump Specifications

##### Pump Body:

Single piece aluminum, hard anodized

##### Suction and Discharge Fittings:

4" victaulic, hard anodized aluminum

##### Impeller:

End suction, Flame-plated (tungsten carbide), double hubbed, hard anodized aluminum

##### Wear Rings:

Reverse-flow, stainless steel

##### Impeller Shaft and Hardware:

Stainless steel

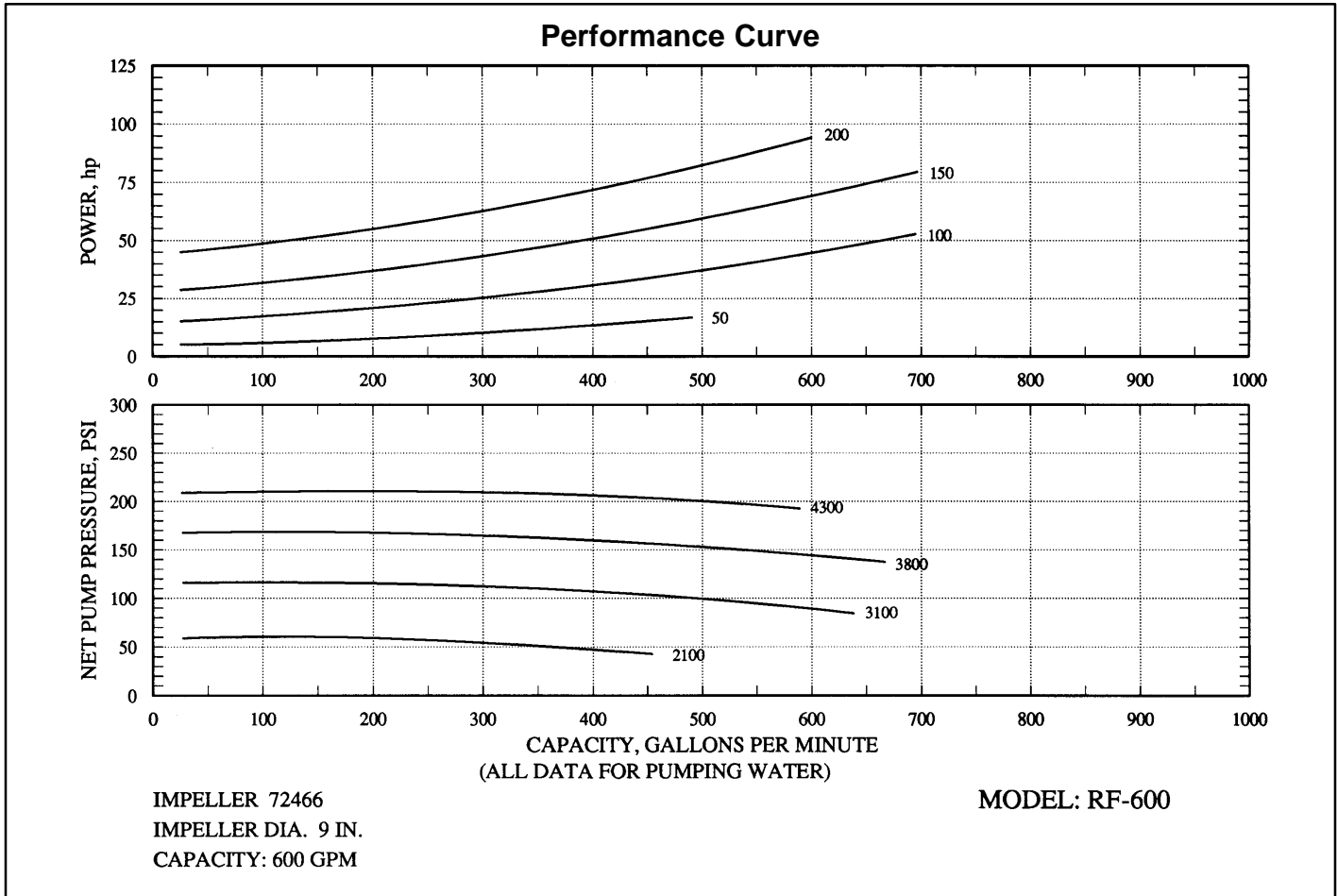
##### Shaft Seal:

Face-type, mechanical seal

*Specifications subject to change without notice*



# RF-600 Self-Priming Pump



## Transmission Specifications

### Case:

High tensile strength grey iron

### Chain:

“Silent” Morse HV<sup>®</sup> chain

### Ratio:

3.10:1

### Driveline:

2.35 inch, 46 tooth involute spline, 16,000 LB-FT (21,760 N·m) torque rating

### Shift:

Constant mesh sliding collar, patented shift lock to hold selected position, air powered

## Shafts and Sprockets:

Machined from alloy steel forgings, hardened and ground to size in critical areas

## Bearings:

Deep groove ball bearing with continuous splash lubrication

## Tachometer:

Mechanical tachometer connection provided, turns 1/2 input shaft speed

Measurement	Length	Width	Height	Weight
US	22.50	26.75	20	300
Metric	57.0	68.00	51.0	136.0

Specifications subject to change without notice.