

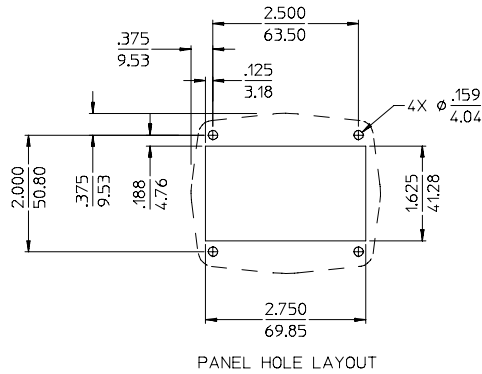
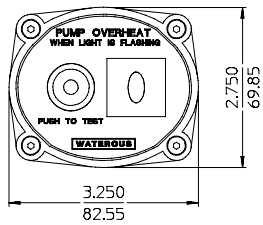


Document Number	Issue Date	Rev. Date
DPL 82517	05/01/00	02/08/10

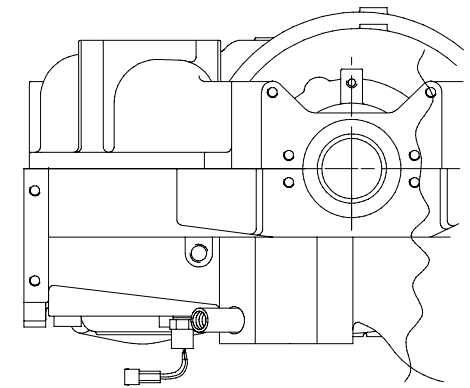
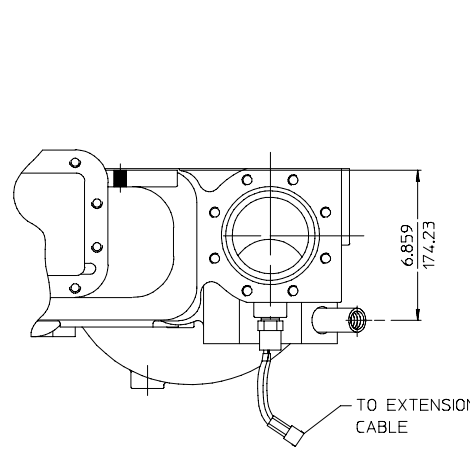
Dimensional Drawings for Overheat Protection Manager

Contents:

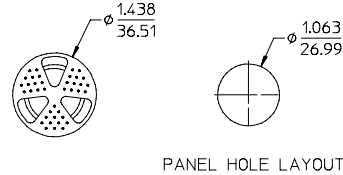
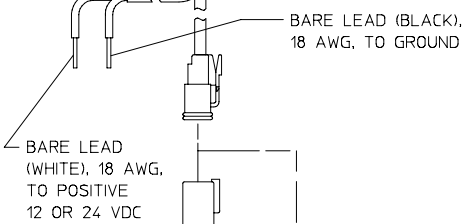
Pump Model	See Page
CM & CS Series	2
All Other Models	3



PANEL HOLE LAYOUT

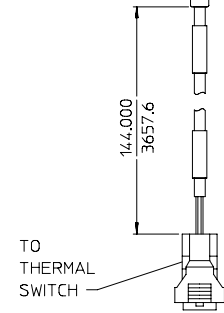


PANEL PLATE DETAILS
(PANEL PLATE SHIPPED LOOSE)

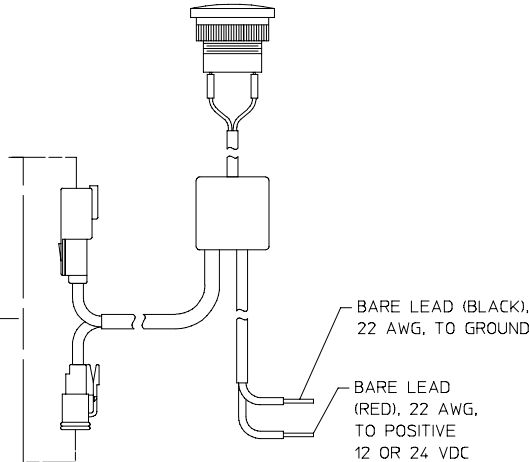


PANEL HOLE LAYOUT

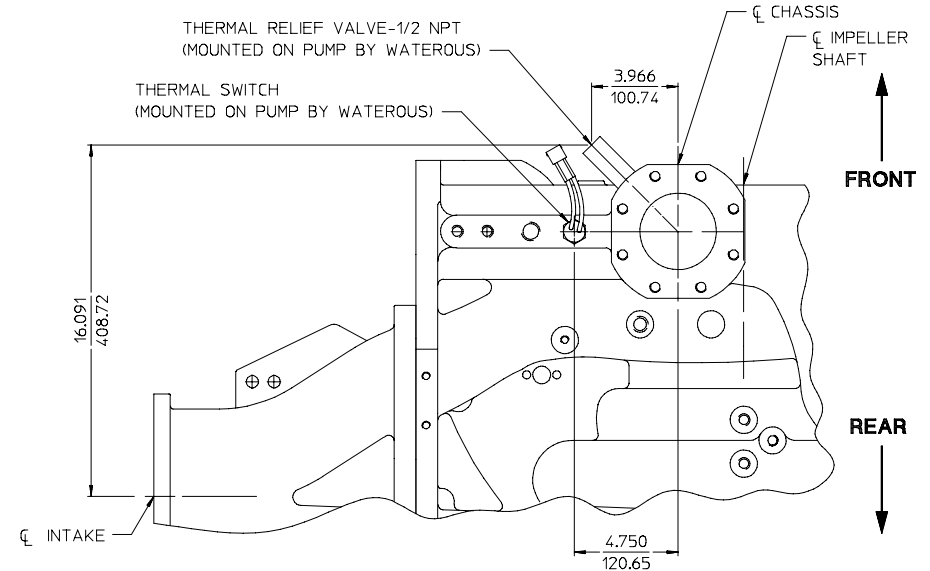
BARE LEAD (WHITE), 18 AWG, TO POSITIVE 12 OR 24 VDC



EXTENSION CABLE
(CABLE SHIPPED LOOSE)



OPTIONAL AUDIBLE ALARM
(CABLE SHIPPED LOOSE)



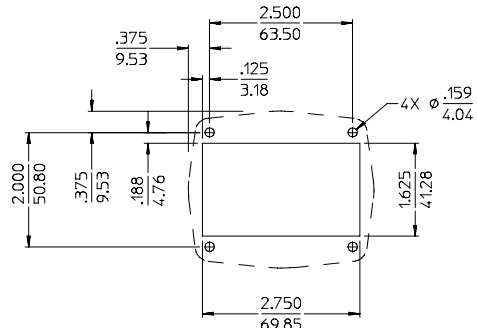
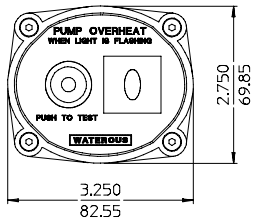
FRONT

REAR

NOTE:
1. ALL DIMENSIONS SHOWN AS INCH/MILLIMETER.
($\frac{\text{INCH}}{\text{MILLIMETER}}$)

CM & CS SERIES PUMPS

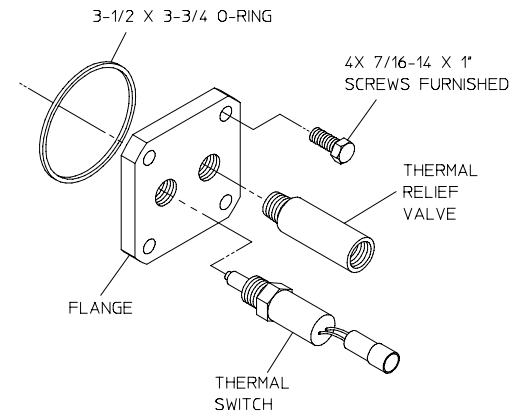
OVERHEAT PROTECTION MANAGER
DPL82517
WATEROUS COMPANY
SOUTH ST. PAUL, MN 55075
PAGE 2 OF 3



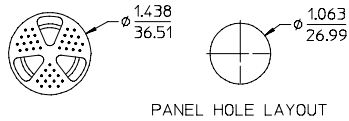
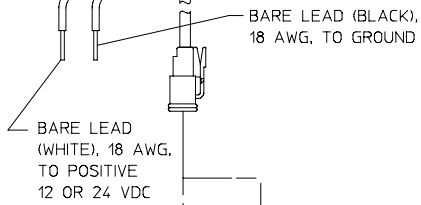
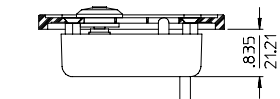
PANEL HOLE LAYOUT

PANEL PLATE DETAILS
(PANEL PLATE SHIPPED LOOSE)

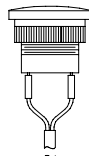
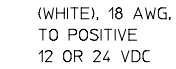
NOTE:
1. ALL DIMENSIONS SHOWN AS INCH/MILLIMETER.
(INCH)
(MILLIMETER)



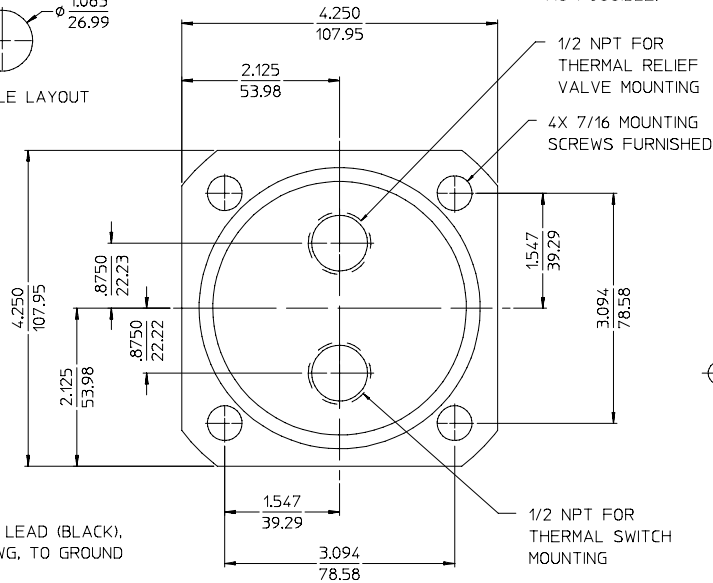
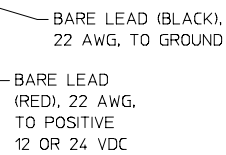
COMPONENTS FURNISHED IN KIT, MOUNT AS CLOSE TO MAIN PUMP DISCHARGE AS POSSIBLE.



PANEL HOLE LAYOUT

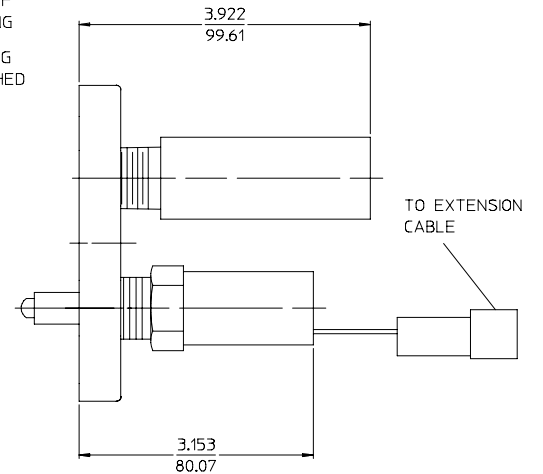


OPTIONAL AUDIBLE ALARM
(CABLE SHIPPED LOOSE)



1/2 NPT FOR THERMAL RELIEF VALVE MOUNTING
4X 7/16 MOUNTING SCREWS FURNISHED

1/2 NPT FOR THERMAL SWITCH MOUNTING



EXTENSION CABLE
(CABLE SHIPPED LOOSE)

PUMP MODELS OTHER THAN CM & CS