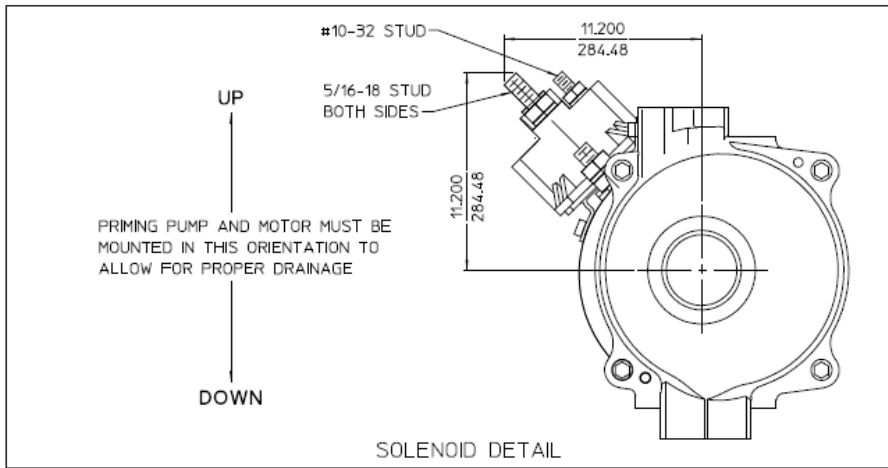




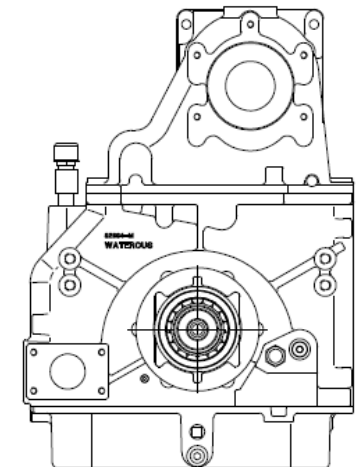
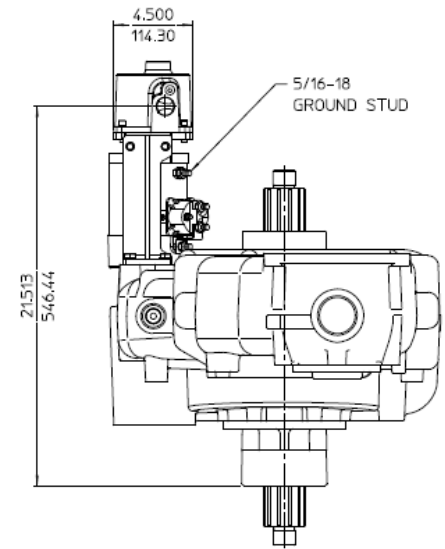
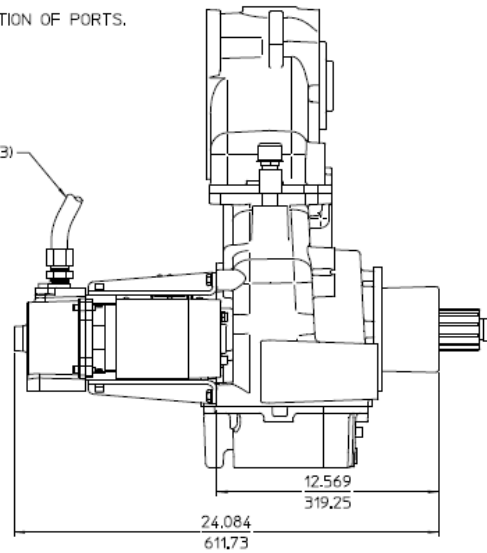
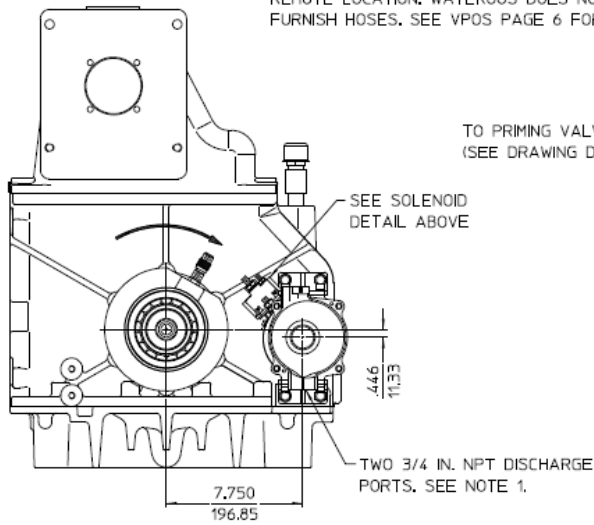
Document Number	Issue Date	Rev. Date
<b>DPL82082</b>	<b>11/30/95</b>	<b>9/28/16</b>

## Dimensional Drawings for Priming Pumps

Priming Pump			Transmission Model	See Page
Type	Model	Mounting		
Rotary Vane	VPO	On the Transmission by Waterous	C20 and C21 Series	2
			TC20 and TC21 Series P.T.O.	3
			QC Series	4
			WB Series	5
	VPOS	Separately by the OEM	All	6
Manual Diaphragm	-	Separately by the OEM	-	7
Optional Five Quart Priming Lubricant Tank (Used when Prime-Safe™ Lubricant is used with VPO or VPOS Priming Pumps)				8

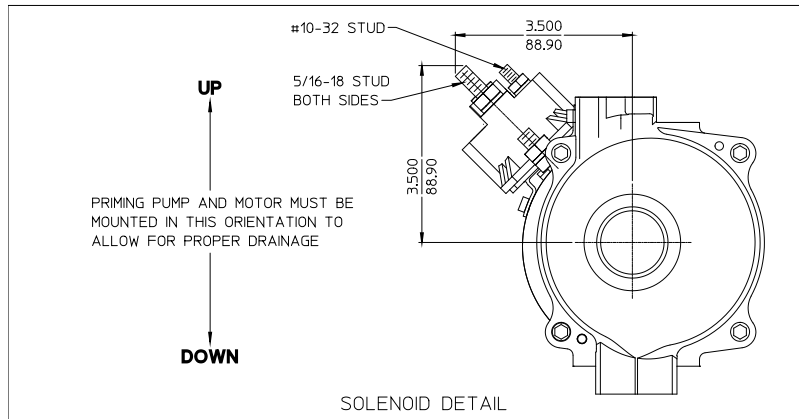


NOTE:  
1. OEM MAY ATTACH HOSES TO 3/4 IN. DISCHARGE  
PORTS TO DIRECT PRIMER DISCHARGE TO A  
REMOTE LOCATION, WATEROUS DOES NOT  
FURNISH HOSES. SEE VPOS PAGE 6 FOR LOCATION OF PORTS.



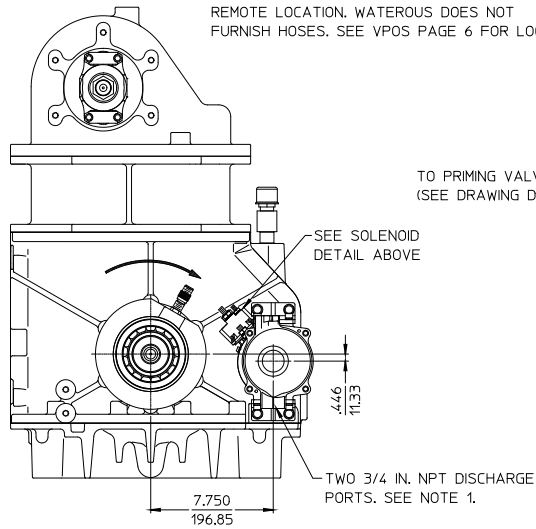
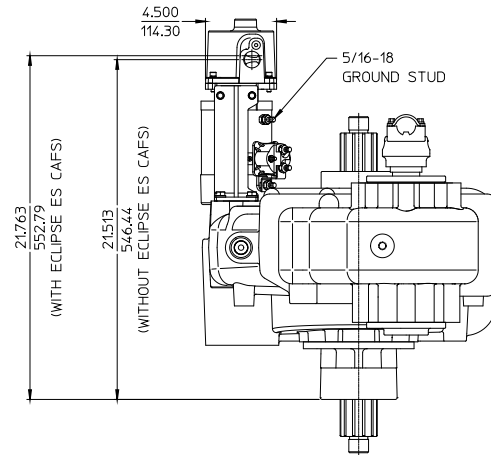
ALL DIMENSIONS SHOWN AS INCH/MILLIMETER  
( INCH )  
( MILLIMETER )

C20 & C21 SERIES TRANSMISSION  
MODEL VPO, ROTARY VANE PRIMING PUMP  
MOUNTED ON THE TRANSMISSION BY WATEROUS  
12 VOLT SHOWN

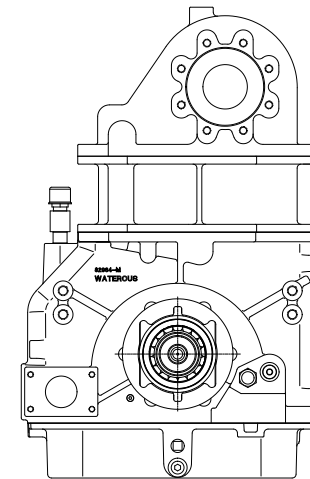
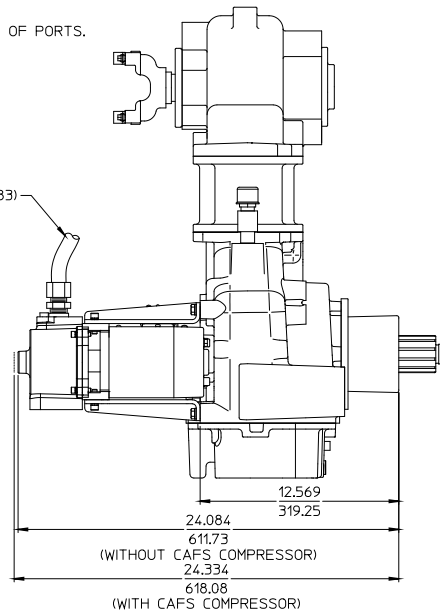


NOTE:

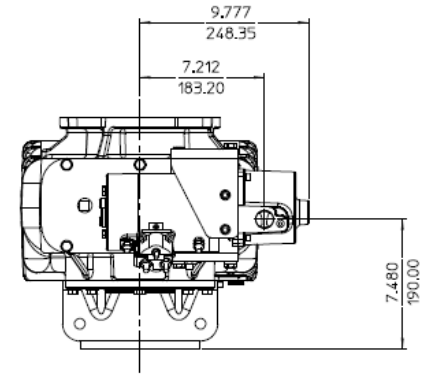
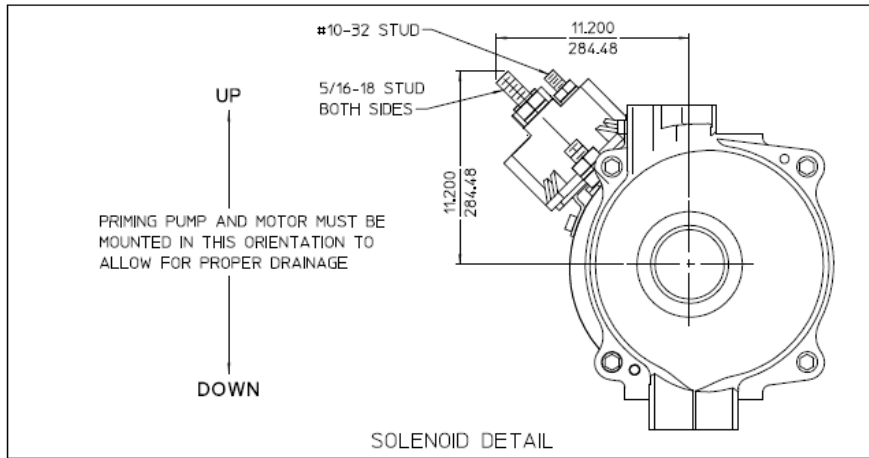
- OEM MAY ATTACH HOSES TO 3/4 IN. DISCHARGE PORTS TO DIRECT PRIMER DISCHARGE TO A REMOTE LOCATION. WATEROUS DOES NOT FURNISH HOSES. SEE VPOS PAGE 6 FOR LOCATION OF PORTS.



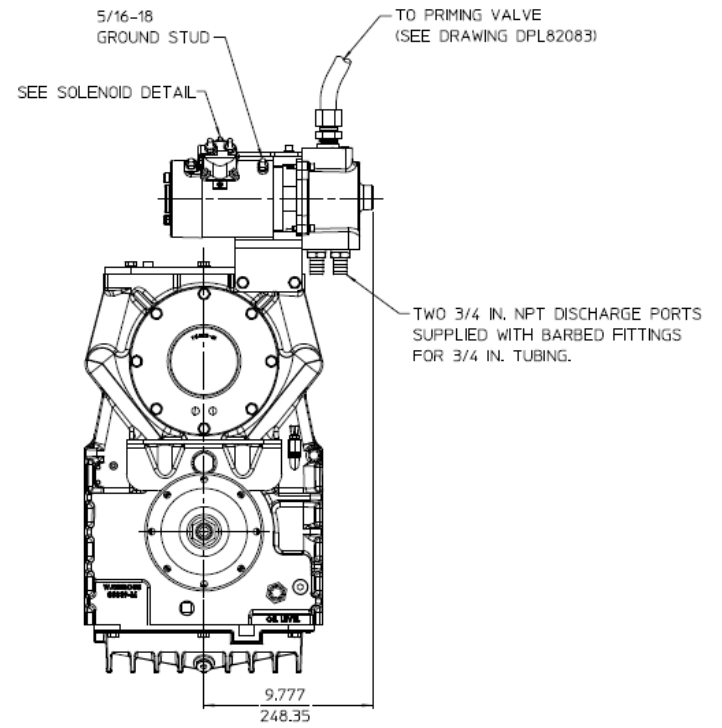
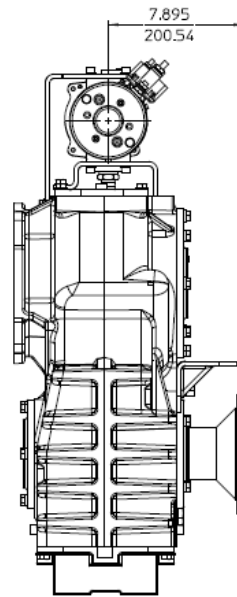
**TC20 AND TC21 SERIES PTO  
MODEL VPO, ROTARY VANE PRIMING PUMP**  
MOUNTED ON THE PTO BY WATEROUS  
12 VOLT SHOWN



ALL DIMENSIONS SHOWN AS INCH/MILLIMETER  
( INCH )  
( MILLIMETER )

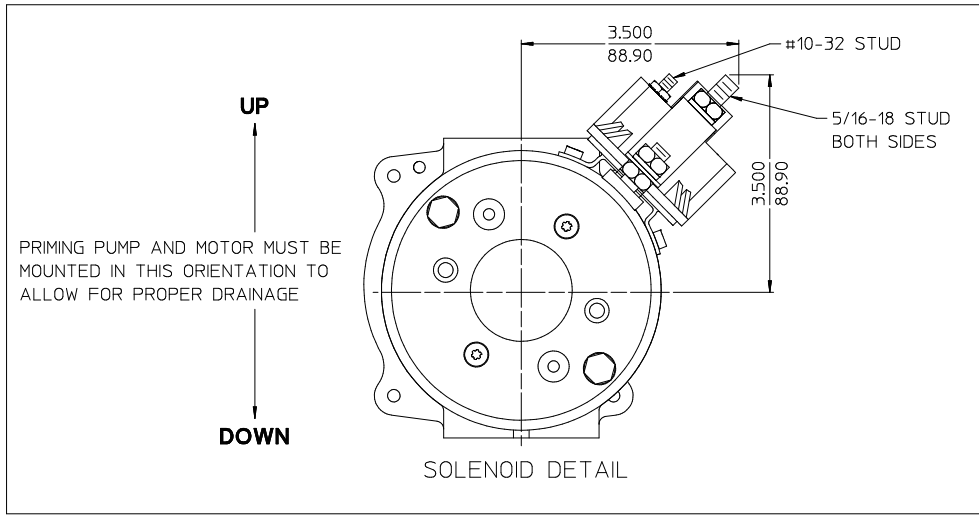


NOTE:  
1. OEM MAY ATTACH HOSES TO 3/4 IN. DISCHARGE PORTS TO DIRECT PRIMER DISCHARGE TO A REMOTE LOCATION. WATEROUS DOES NOT FURNISH HOSES.

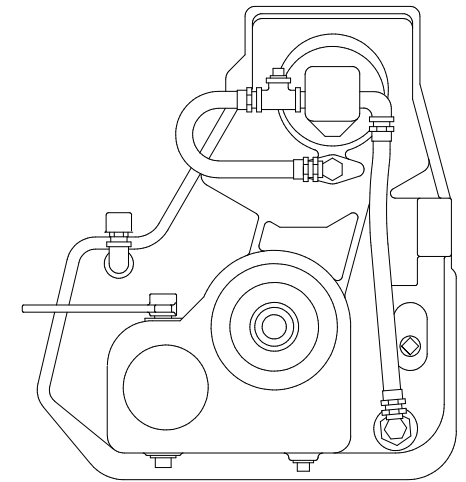
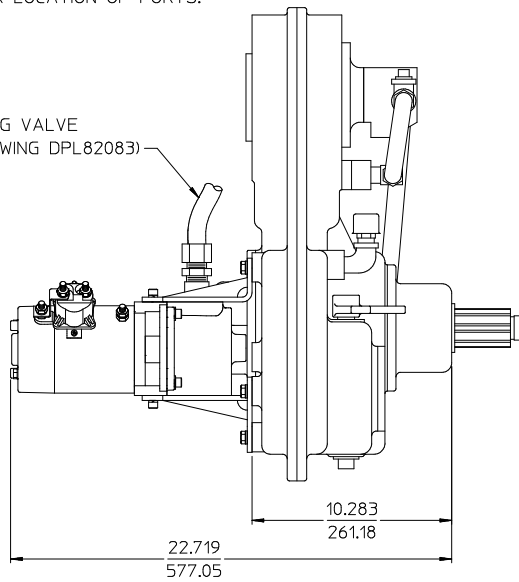
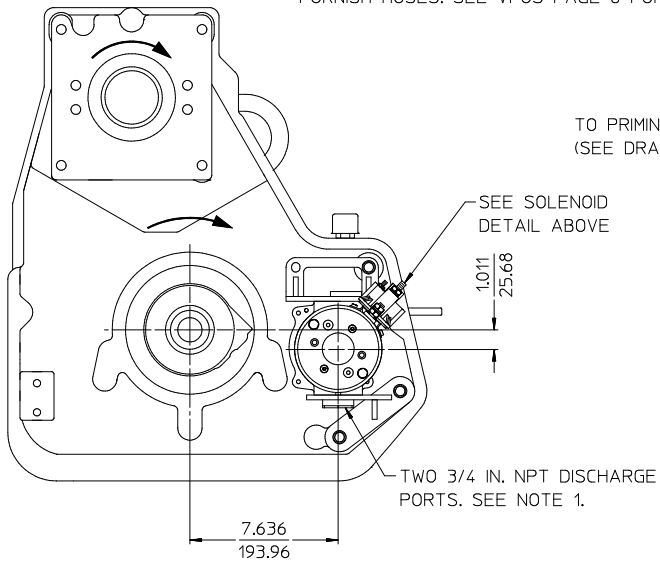
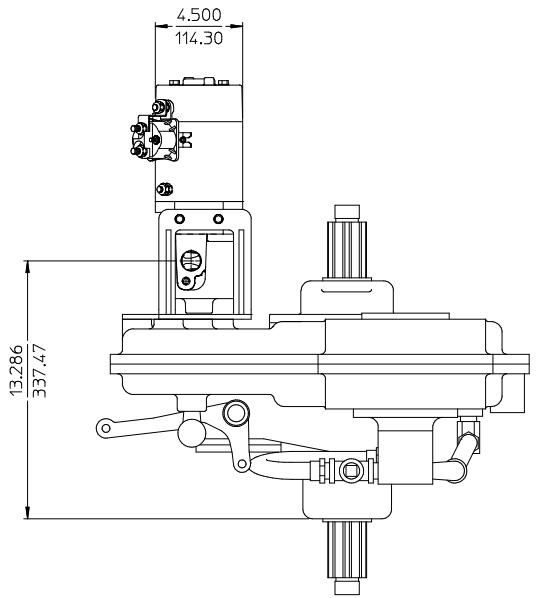


ALL DIMENSIONS SHOWN AS INCH/MILLIMETER  
( INCH )  
( MILLIMETER )

**QC SERIES TRANSMISSION**  
**MODEL VPO, ROTARY VANE PRIMING PUMP**  
MOUNTED ON THE TRANSMISSION BY WATEROUS  
24 VOLT SHOWN



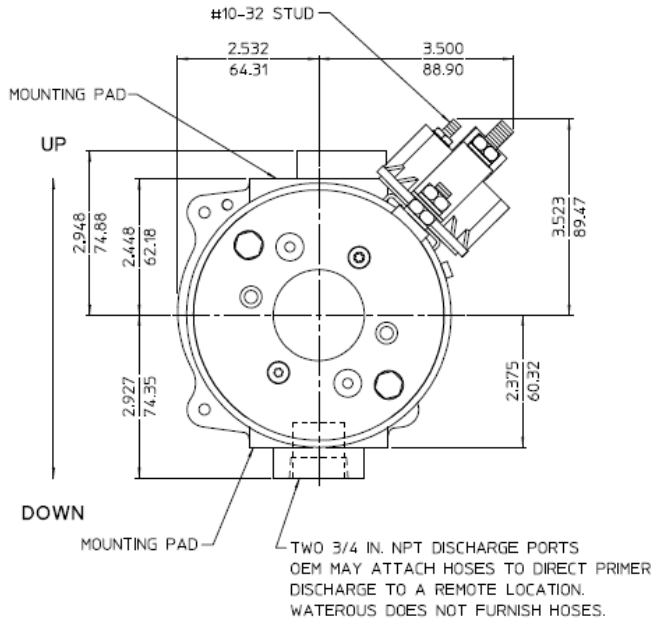
NOTE:  
 1. OEM MAY ATTACH HOSES TO 3/4 IN. DISCHARGE PORTS TO DIRECT PRIMER DISCHARGE TO A REMOTE LOCATION. WATEROUS DOES NOT FURNISH HOSES. SEE VPOS PAGE 6 FOR LOCATION OF PORTS.



ALL DIMENSIONS SHOWN AS INCH/MILLIMETER  
 ( INCH )  
 ( MILLIMETER )

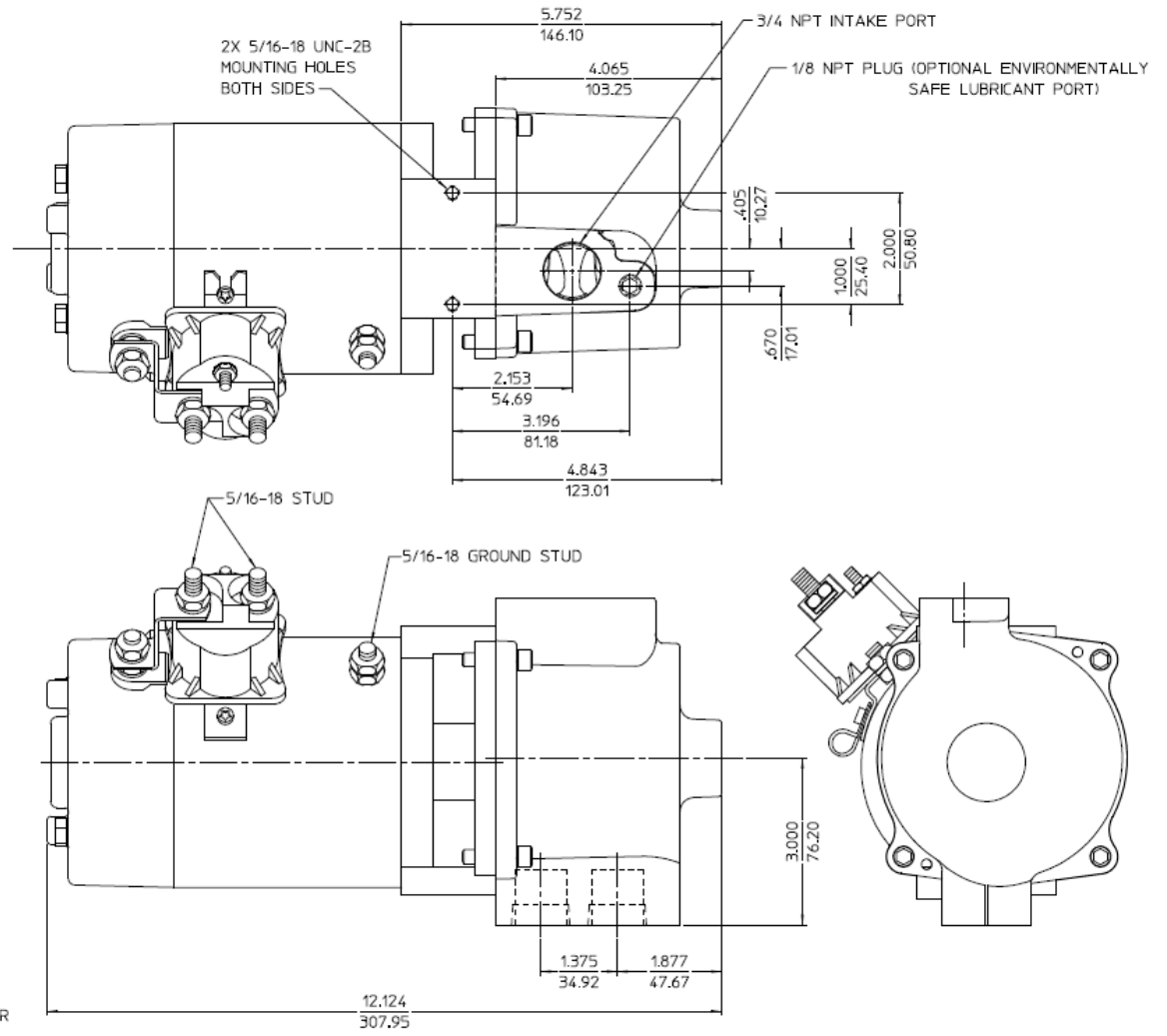
**WB SERIES TRANSMISSION**  
**MODEL VPO, ROTARY VANE PRIMING PUMP**  
 MOUNTED ON THE TRANSMISSION BY WATEROUS  
 12 VOLT SHOWN

PRIMING PUMP AND MOTOR MUST BE MOUNTED IN THIS ORIENTATION TO ALLOW FOR PROPER DRAINAGE



ALL DIMENSIONS SHOWN AS INCH/MILLIMETER

( $\frac{\text{INCH}}{\text{MILLIMETER}}$ )

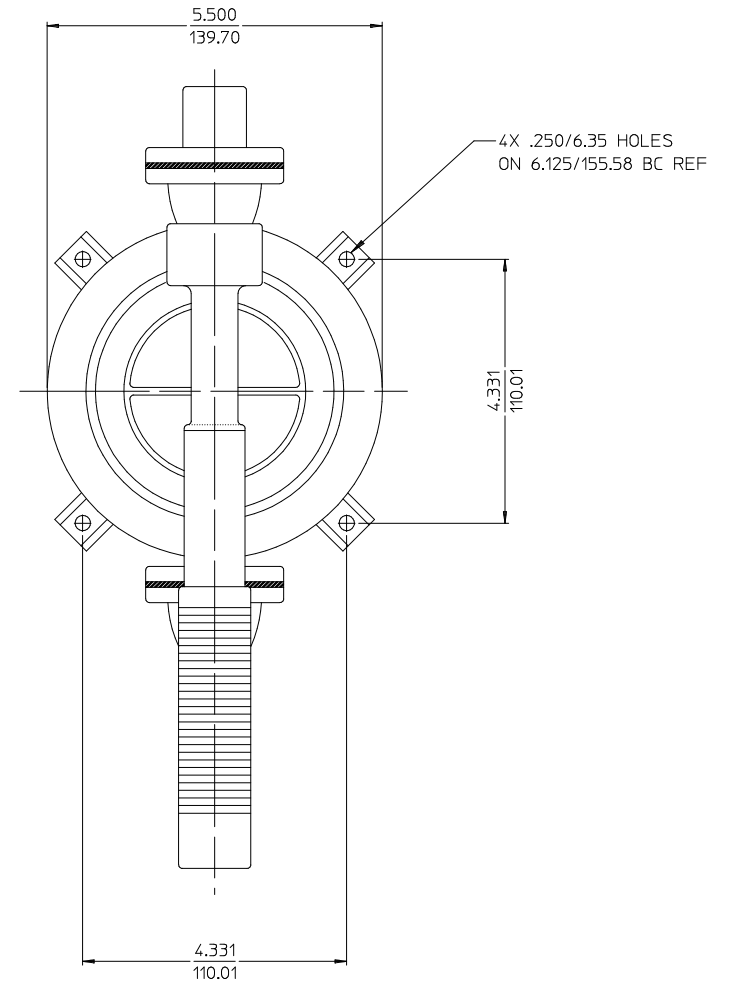
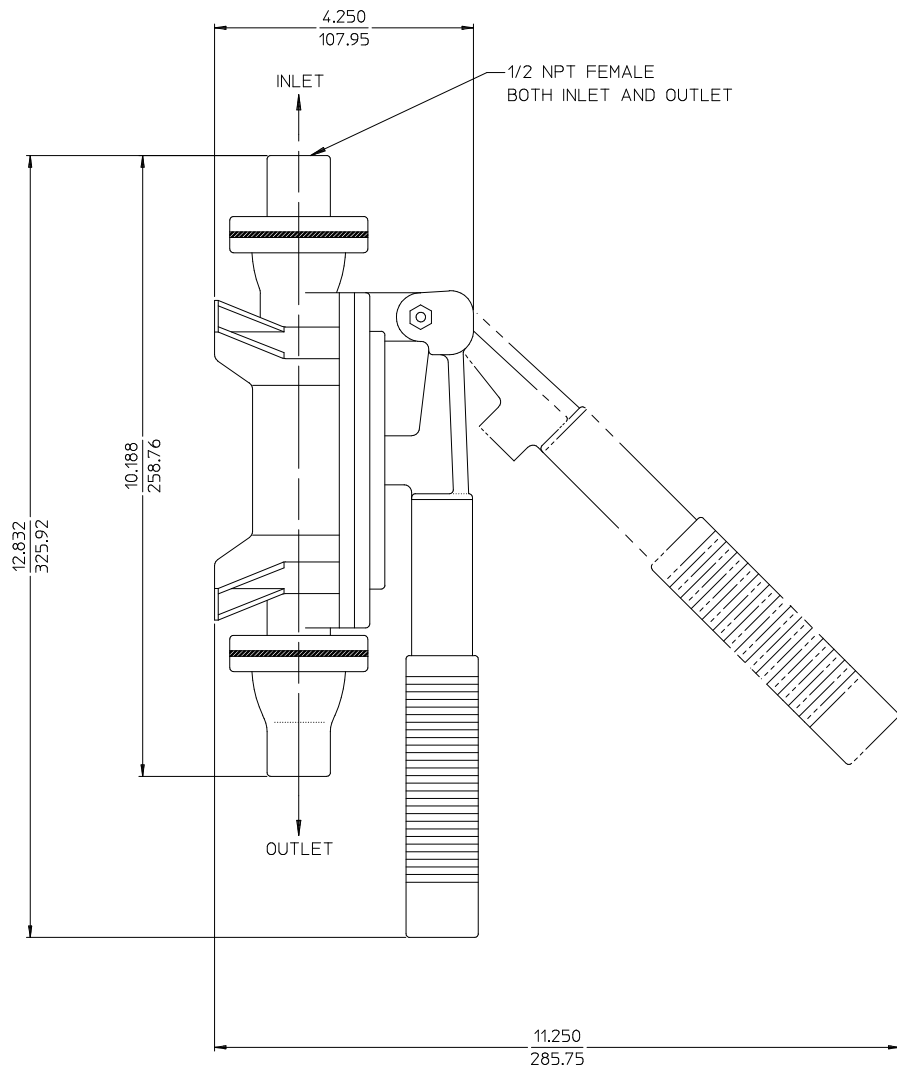


**MODEL VPOS, ROTARY VANE PRIMING PUMP**

SEPARATELY MOUNTED BY THE OEM

12 VOLT SHOWN



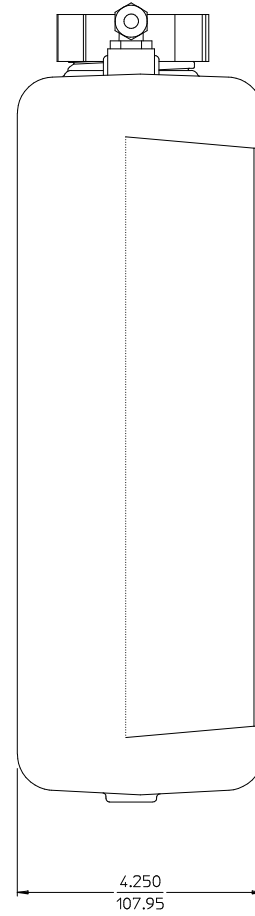
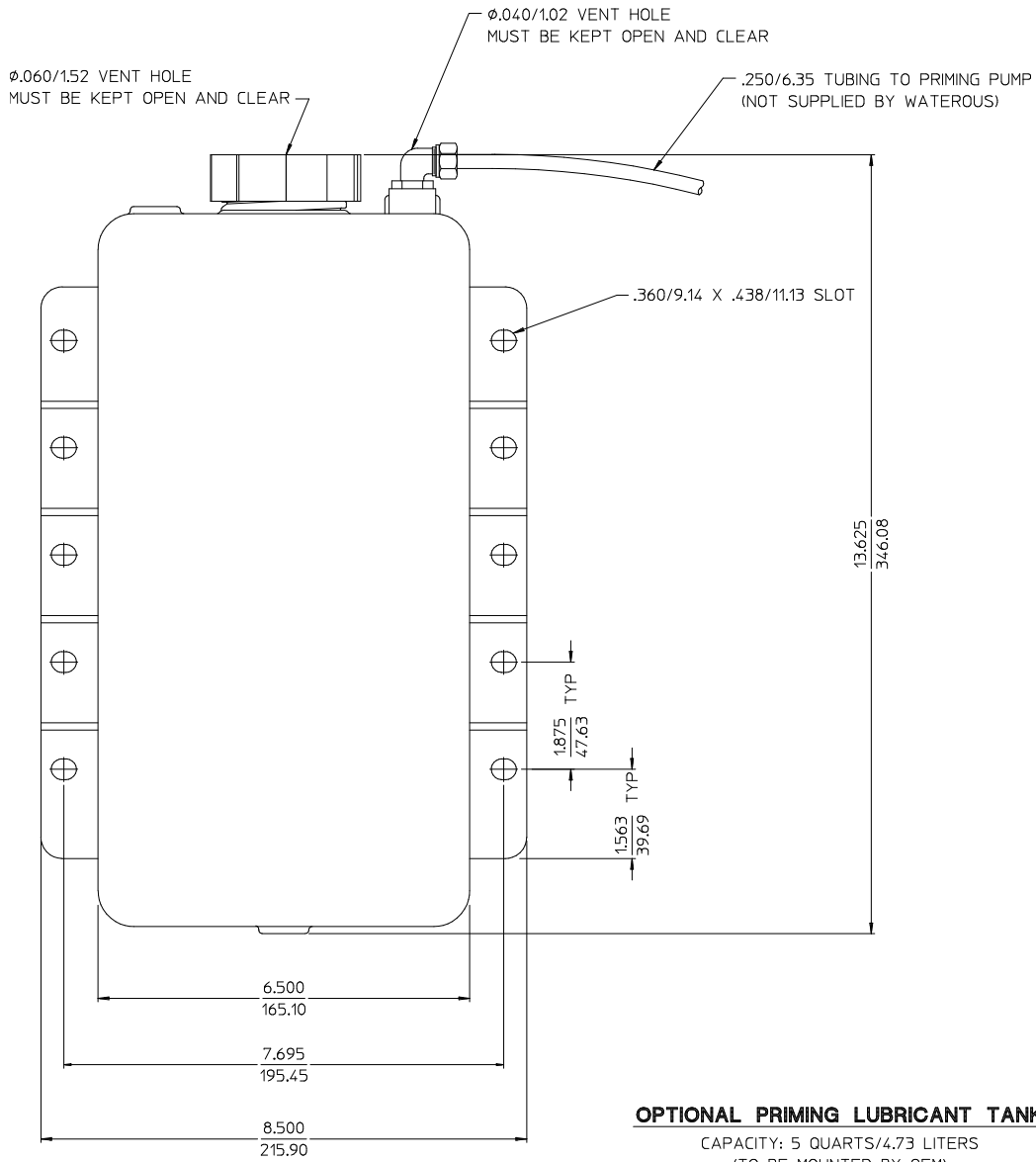


**MANUAL DIAPHRAGM PRIMER**

ALL DIMENSIONS SHOWN AS INCH/MILLIMETER

( $\frac{\text{INCH}}{\text{MILLIMETER}}$ )





**OPTIONAL PRIMING LUBRICANT TANK**

CAPACITY: 5 QUARTS/4.73 LITERS  
 (TO BE MOUNTED BY OEM)

ALL DIMENSIONS SHOWN AS INCH/MILLIMETER  
 ( INCH / MILLIMETER )