



| | | |
|-----------------|-----------------|-----------------|
| Document Number | Issue Date | Rev. Date |
| SPL82916 | 07/12/06 | 03/08/11 |

Auto Tank Fill System Service Parts List

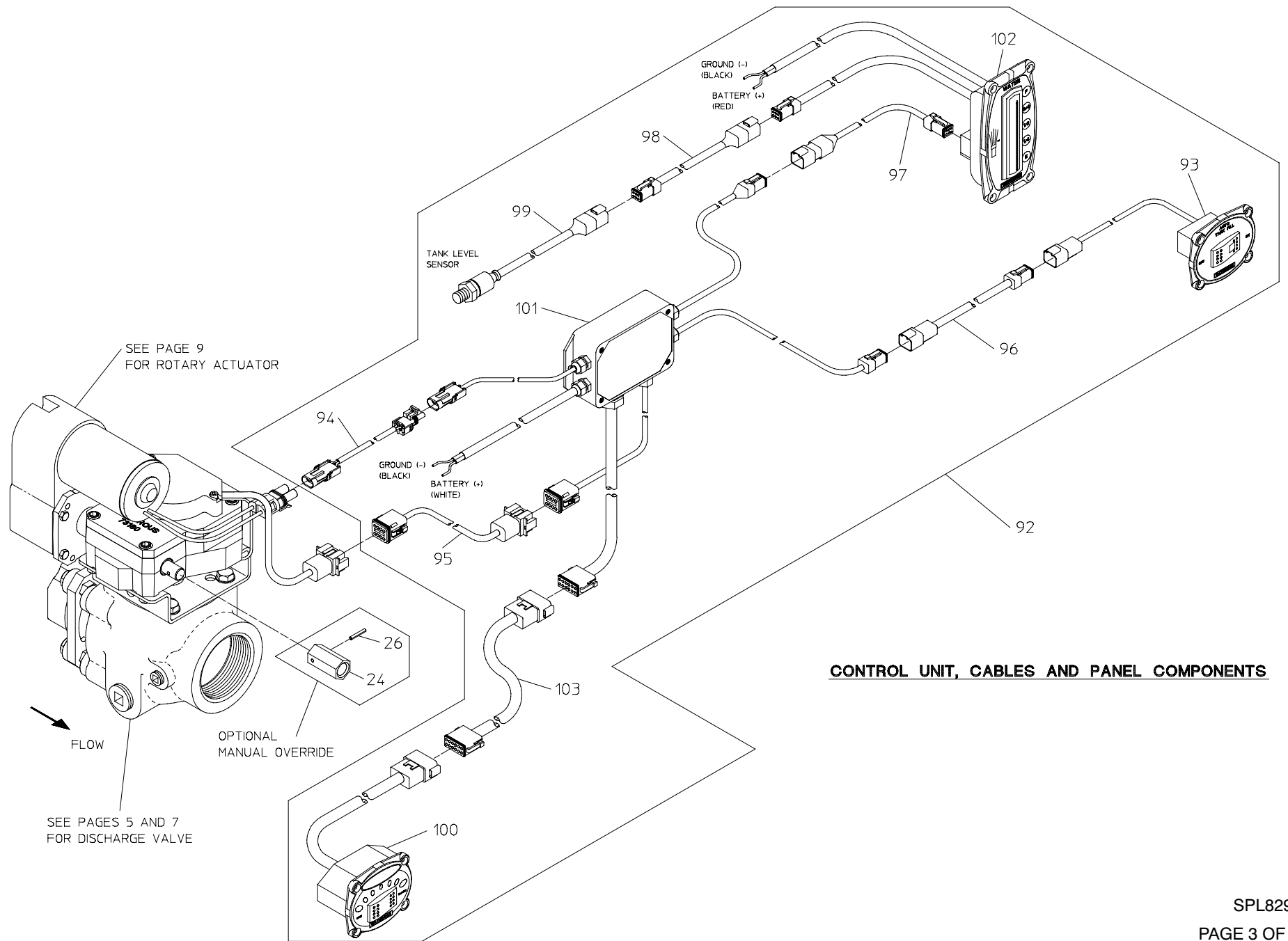
Index:

| Component | See Pages |
|-------------------------------------------|------------------|
| Control Unit, Cables and Panel Components | 2, 3 |
| 2-1/2 in. Full-Flow Electric Ball Valve | 4, 5 |
| 3-1/2 in. Standard Electric Ball Valve | 6, 7 |
| Electric Rotary Actuator | 8, 9 |
| Optional Tapped Flanges and Fittings | 10, 11 |
| Available Repair Subassemblies | 12, 13 |

Control Unit, Cables and Panel Components

| REF. NO. | DESCRIPTION |
|----------|----------------------------------------|
| 24 | Adapter Nut, 3/4 in. |
| 26 | Heavy Spirol Pin, 1/8 x 3/4 in. |
| 92 | Auto Tank Fill Assembly |
| 93 | Selector Switch Control Panel Assembly |
| 94 | Motor Extension Wire Assembly |
| 95 | Encoder Extension Cable |
| 96 | Selector Switch Extension Cable |

| REF. NO. | DESCRIPTION |
|----------|---------------------------------------|
| 97 | Level Sensor Extension Cable, 60 in. |
| 98 | Level Sensor Extension Cable, 120 in. |
| 99 | Tank Level Sensor |
| 100 | Valve Position Control Panel Assembly |
| 101 | Control Unit, 12V or 24V |
| 102 | Tank Level Monitor Panel Assembly |
| 103 | Position Control Extension Cable |



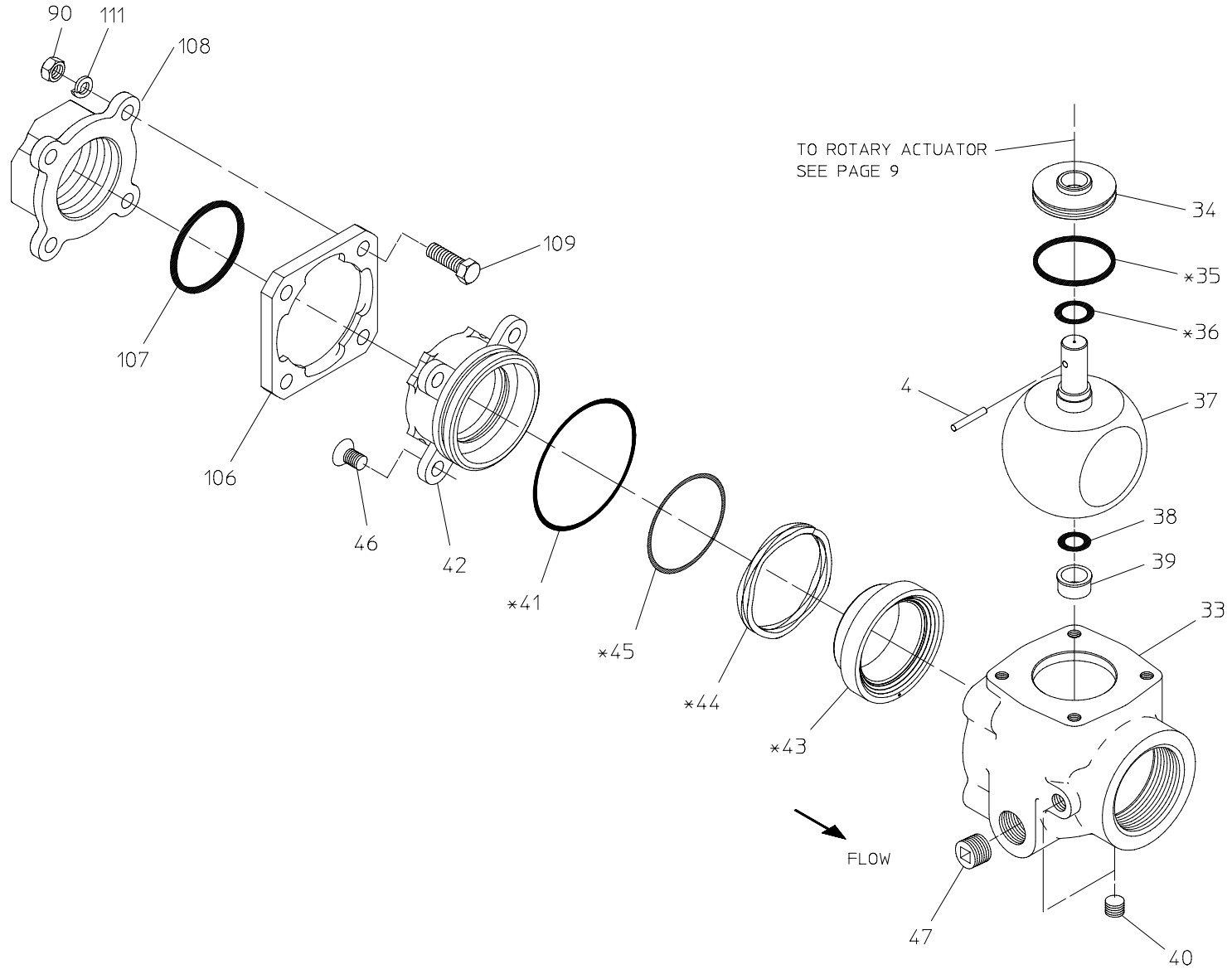
2-1/2 in. Full-Flow Electric Ball Valve

| REF. NO. | DESCRIPTION |
|----------|------------------------------|
| 4 | Spring Pin, 3/16 x 1-1/8 in. |
| 33 | Valve Body Assembly |
| 34 | Upper Stem Bushing |
| 35 | O-ring, 2-1/8 x 2-3/8 in. |
| 36 | O-ring, 3/4 x 15/16 in. |
| 37 | Ball Valve |
| 38 | O-ring, 9/16 x 3/4 in. |
| 39 | Lower Stem Bushing |
| 40 | Pipe Plug, 1/4 in. |
| 41 | O-ring, 3-7/8 x 4-1/8 in. |
| 42 | Retainer Seal |
| 43 | Valve Seal |

| REF. NO. | DESCRIPTION |
|----------|-----------------------------------------|
| 44 | Wave Spring |
| 45 | O-ring, 2-7/8 x 3-1/8 in. |
| 46 | Flat Hd Socket Screw, 7/16-14 x 3/4 in. |
| 47 | Pipe Plug, 3/4 in. |
| 72 | O-ring / Gasket Repair Kit |
| 90 | Hex Nut, 7/16-20 |
| 106 | Mounting Flange |
| 107 | O-ring, 2-3/4 x 3 in. |
| 108 | Tapped Flange, 2-1/2 in. |
| 109 | Hex Hd Screw, 7/16-20 x 1-1/2 in. |
| 111 | Lock Washer, 7/16 in. |

O-RING & GASKET
REPAIR KIT 72

* PART OF REPAIR KIT 72

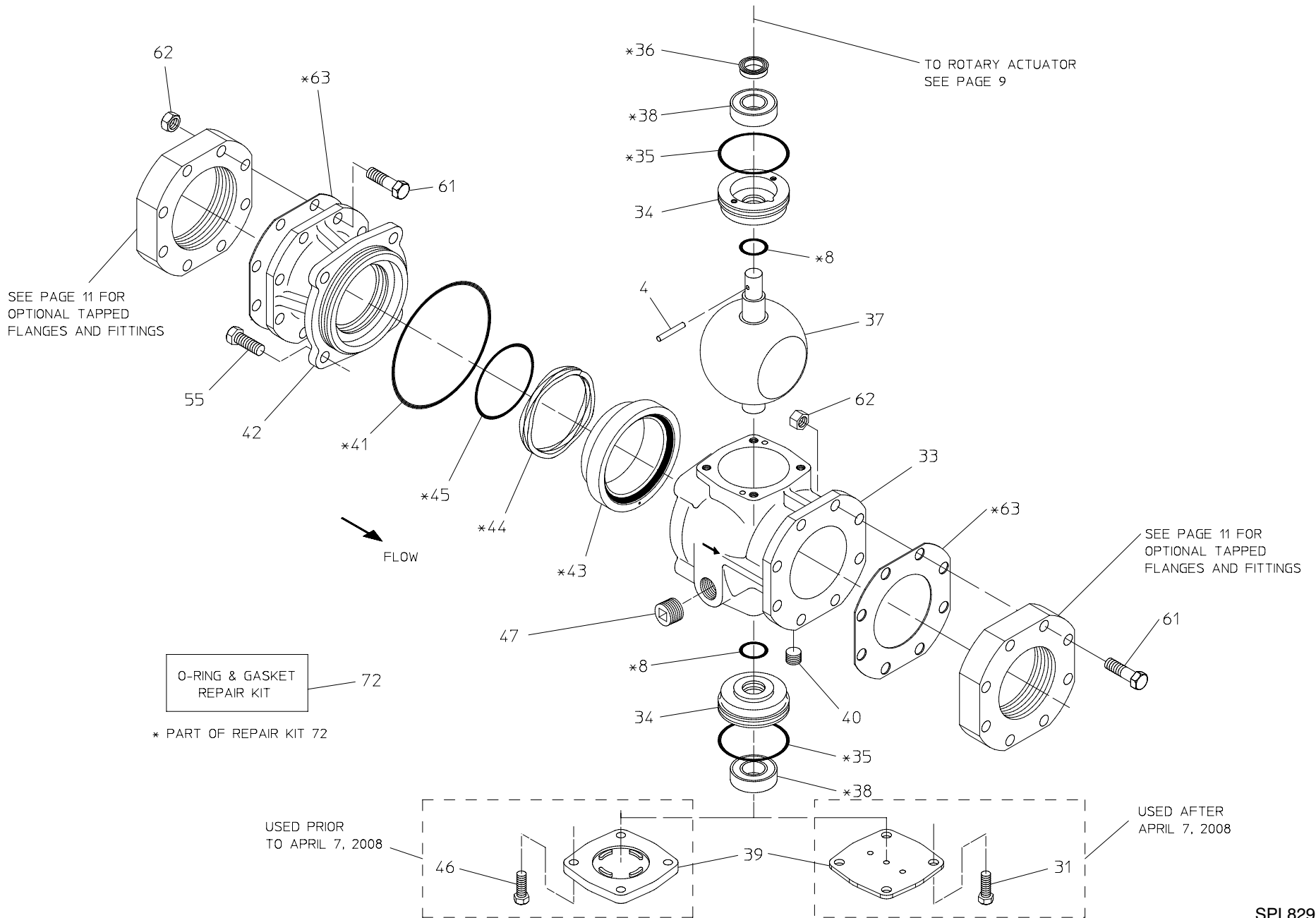


2-1/2 IN. FULL-FLOW ELECTRIC BALL VALVE

3-1/2 in. Standard Electric Ball Valve

| REF. NO. | DESCRIPTION |
|-------------|------------------------------|
| 4 | Spring Pin, 3/16 x 1-1/8 in. |
| 8 | O-ring, 1 x 1-1/4 in. |
| 33 | Valve Body Assembly |
| 34 | Bearing Retainer |
| 35 | O-ring, 2-7/8 x 3-1/8 in. |
| 36 | Stem Seal |
| 37 | Valve Ball |
| 38 | Bearing |
| 39 | Valve Cover |
| 40 | Pipe Plug, 1/4 in. |
| 41 | O-ring, 4-3/4 x 5 in. |

| REF. NO. | DESCRIPTION |
|-------------|----------------------------------|
| 42 | Retainer Seal |
| 43 | Valve Seal |
| 44 | Wave Spring |
| 45 | O-ring, 3-3/8 x 3-5/8 in. |
| 46 | Hex Hd Screw, 3/8-16 x 7/8 in. |
| 47 | Pipe Plug, 3/4 in. |
| 55 | Hex Hd Screw, 1/2-13 x 1-1/4 in. |
| 61 | Hex Hd Screw, 1/2-20 x 1-3/4 in. |
| 62 | Hex Nut, 1/2-20 |
| 63 | Gasket |
| 72 | O-ring / Gasket Repair Kit |



3-1/2 IN. STANDARD ELECTRIC BALL VALVE

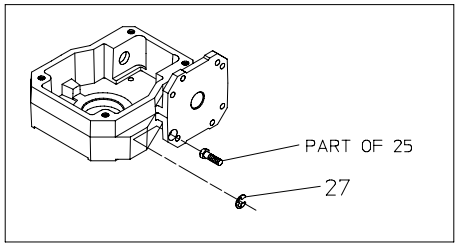
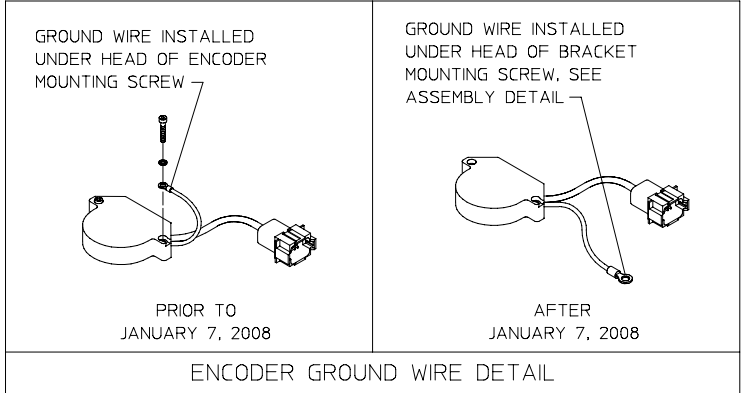
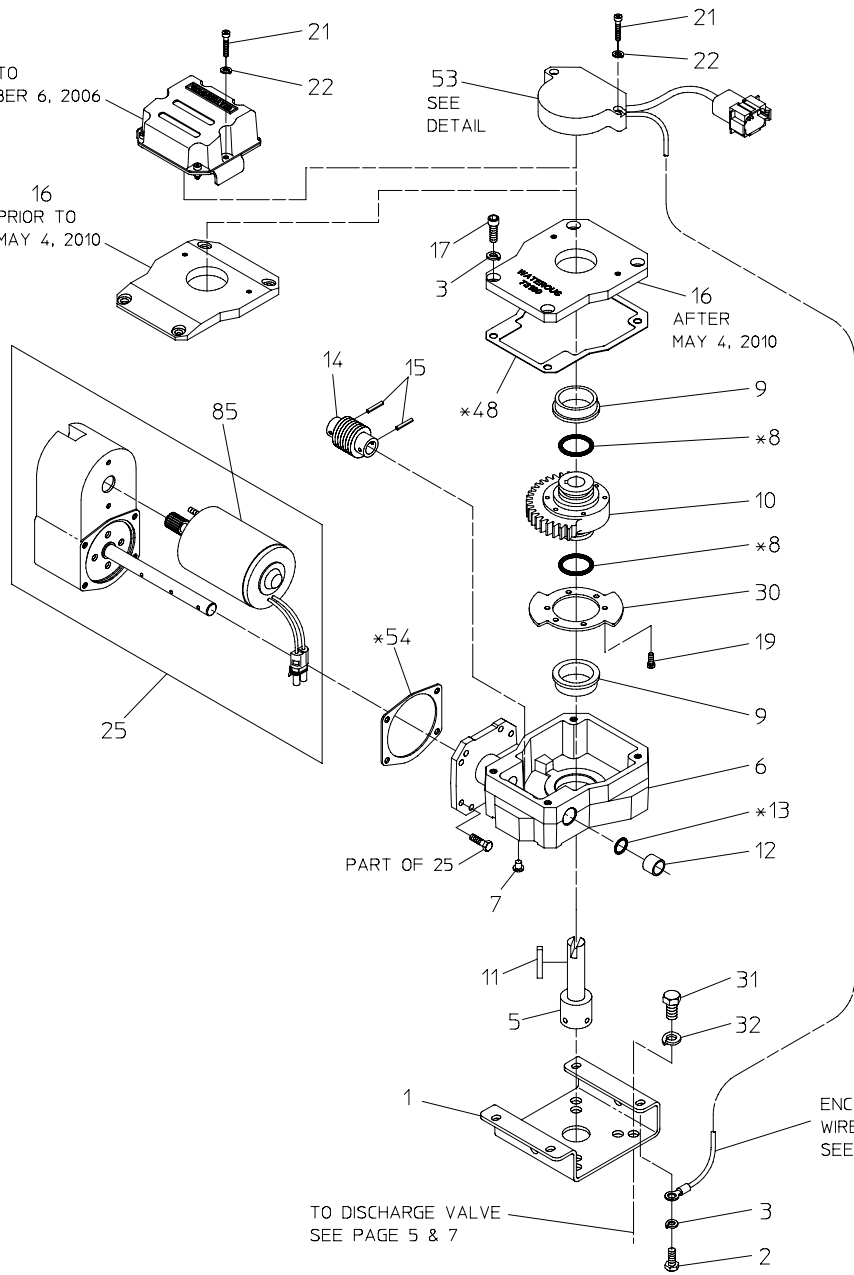
Electric Rotary Actuator

| REF. NO. | DESCRIPTION |
|----------|------------------------------------|
| 1 | Mounting Bracket |
| 2 | Hex Hd Screw, 1/4-20 x 5/8 in. |
| 3 | Lock Washer, 1/4 in. |
| 5 | Extension Shaft |
| 6 | Electric Housing Assembly |
| 7 | Rubber Plug |
| 8 | O-ring, 1 x 1-1/4 in. |
| 9 | Flanged Bearing, 1-1/4 x 1-1/2 in. |
| 10 | Sector Worm Gear |
| 11 | Key, 3/16 x 1-1/4 in. |
| 12 | Sleeve Bearing, 1/2 x 5/8 in. |
| 13 | O-ring, 1/2 x 5/8 in. |
| 14 | Worm Gear |
| 15 | Spirol Pin, 1/8 x 3/4 in. |
| 16 | Housing Assembly Cover |

| REF. NO. | DESCRIPTION |
|----------|-----------------------------------|
| 17 | Socket Hd Screw, 1/4-20 x 5/8 in. |
| 19 | Socket Hd Screw, 8-32 x 1/2 in. |
| 21 | Socket Hd Screw, 8-32 x 7/8 in. |
| 22 | Lock Washer, #8 |
| 25 | Gear Motor, 12V or 24V |
| 27 | Retaining Ring |
| 30 | Limit Disc |
| 31 | Hex Hd Screw, 3/8-16 x 5/8 in. |
| 32 | Lockwsher, 3/8 in. |
| 48 | Actuator Gasket |
| 53 | Rotary Encoder, 90° |
| 54 | Gear Motor Gasket |
| 72 | O-ring / Gasket Repair Kit |
| 85 | Motor Replacement Kit |

53
PRIOR TO
NOVEMBER 6, 2006

16
PRIOR TO
MAY 4, 2010



O-RING & GASKET
REPAIR KIT 72

* PART OF REPAIR KIT 72

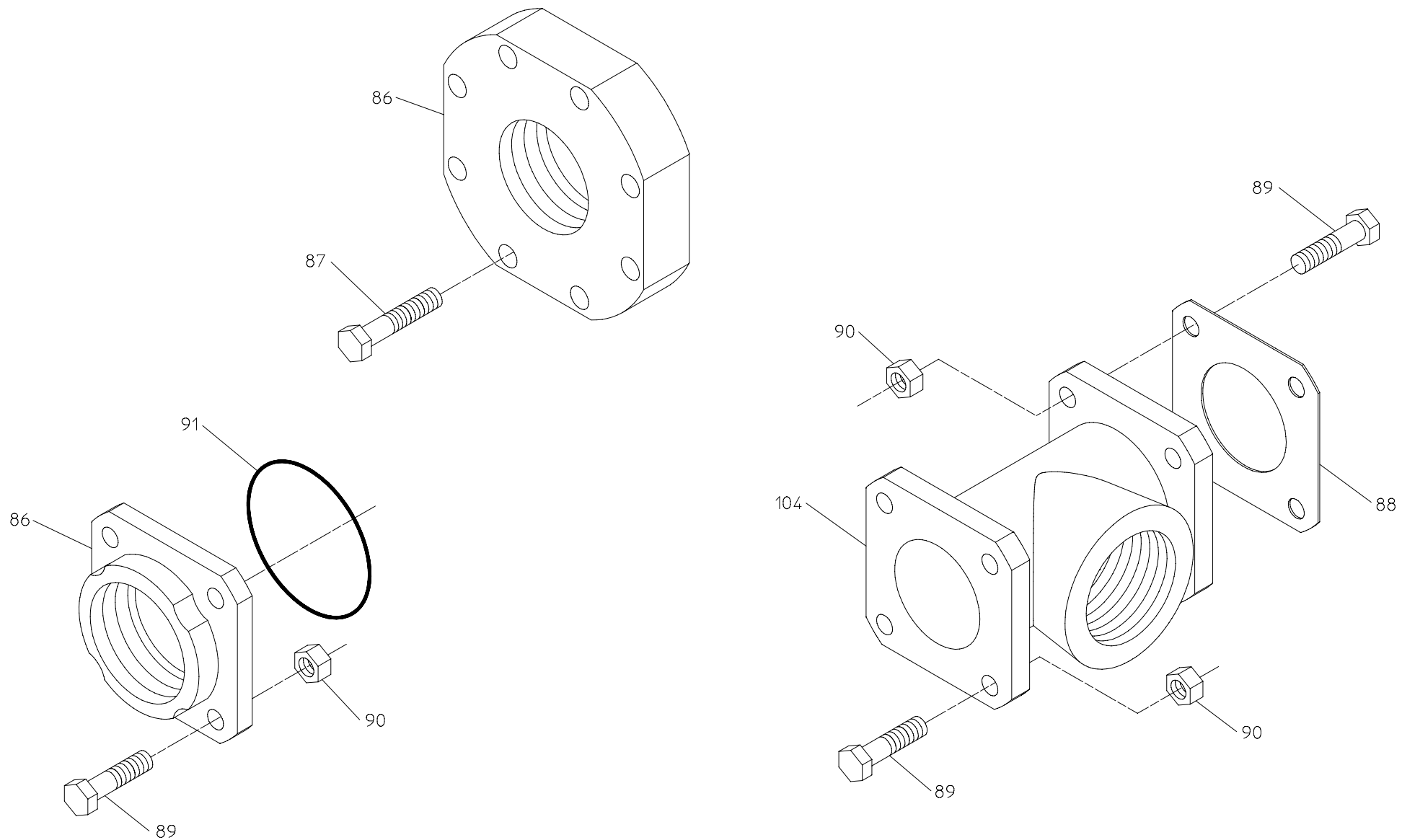
MOTOR
REPLACEMENT
KIT 85

ELECTRIC ROTARY ACTUATOR

Optional Tapped Flanges and Fittings

| REF. NO. | DESCRIPTION |
|----------|-----------------------------------|
| 86 | Tapped Flange, 4-Bolt or 8-Bolt |
| 87 | Hex Hd Screw, 1/2-20 x 2-1/2 in. |
| 88 | Gasket |
| 89 | Hex Hd Screw, 7/16-20 x 1-3/4 in. |

| REF. NO. | DESCRIPTION |
|----------|---------------------------|
| 90 | Hex Nut, 7/16-20 |
| 91 | O-ring, 3-1/2 x 3-3/4 in. |
| 104 | Discharge Extension |



OPTIONAL TAPPED FLANGES AND FITTINGS

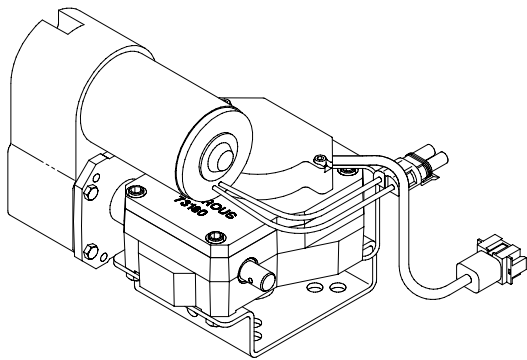
THESE FITTINGS MAY HAVE BEEN FURNISHED
BY THE OEM IN THE BALL VALVE PLUMBING

Available Repair Subassemblies

| REF. NO. | DESCRIPTION |
|----------|----------------------|
| 120 | Actuator Subassembly |

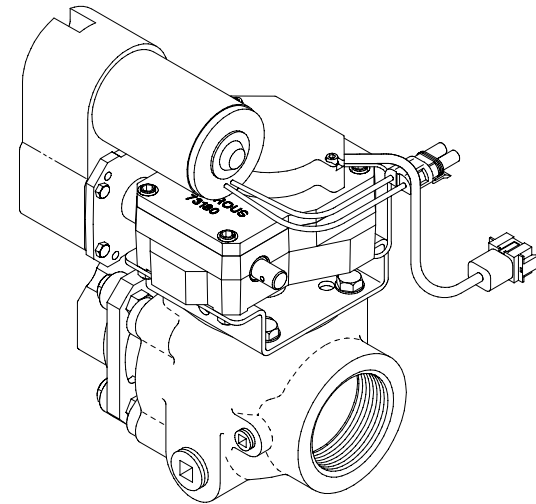
| REF. NO. | DESCRIPTION |
|----------|--------------------------------|
| 121 | Valve and Actuator Subassembly |

120



ACTUATOR SUBASSEMBLY

121



VALVE AND ACTUATOR SUBASSEMBLY

AVAILABLE REPAIR SUBASSEMBLIES