

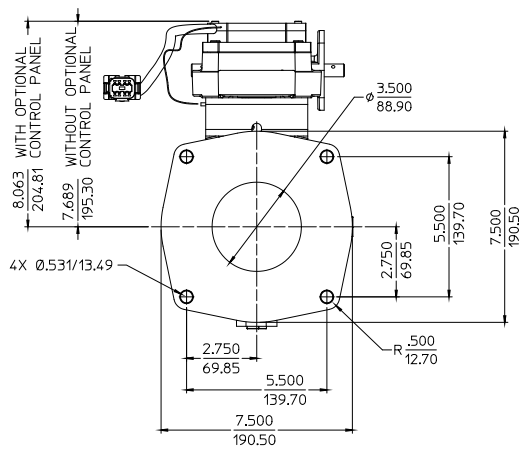
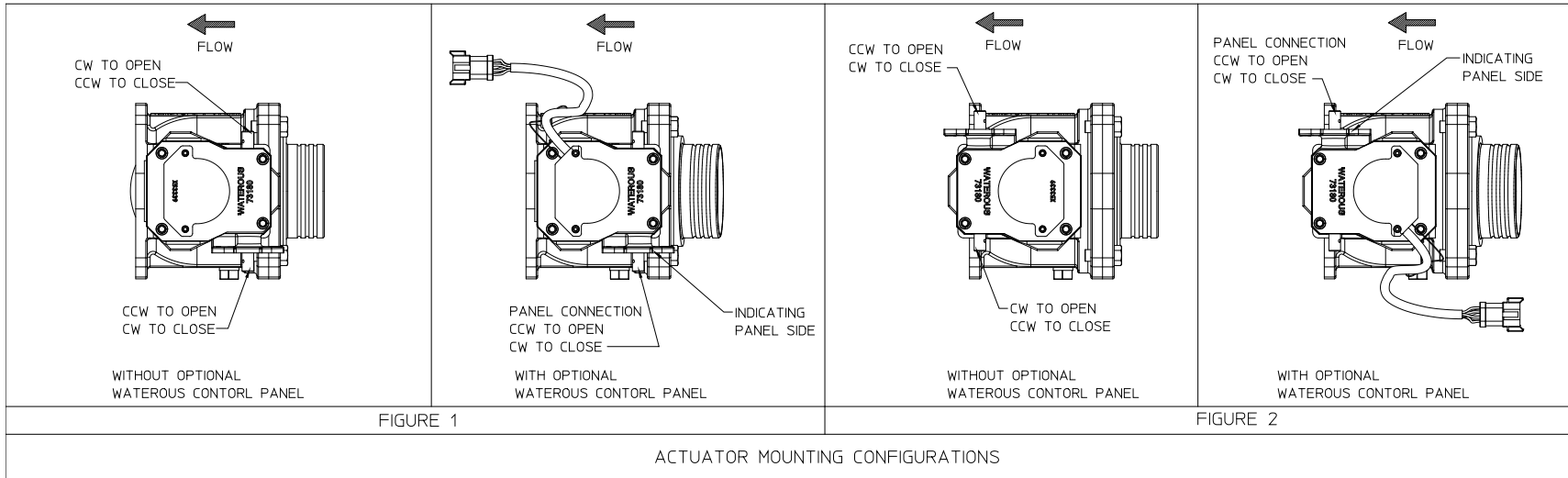


Document Number DPL83630	Issue Date 3/9/17	Rev Date
------------------------------------	-----------------------------	----------

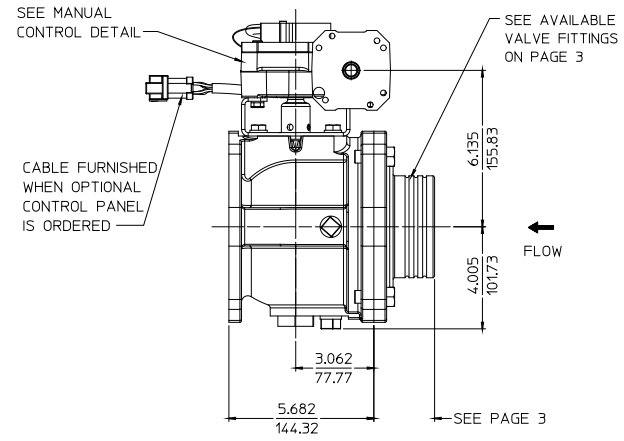
Manual Indicating Rotary Tank to Pump Valve
Dimensional Drawings
Valve Part No. 83629

Contents:

Item	See Page
3-1/2 in. Tank to Pump Valve with Manual Rotary Actuator	2
Manual Panel Layout / Actuator Mounting Configurations	3
Available Fittings	4



ALL DIMENSIONS SHOWN
AS INCH/MILLIMETER
(INCH / MILLIMETER)

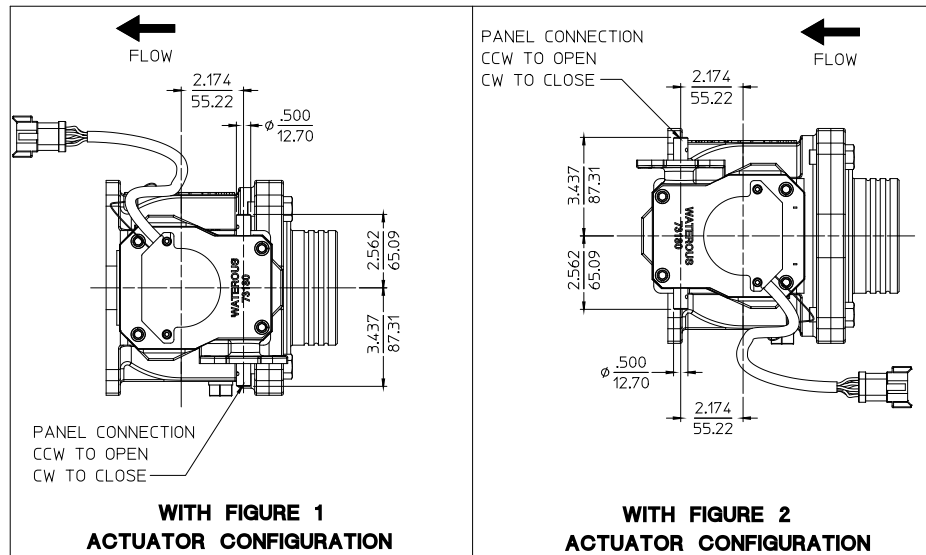
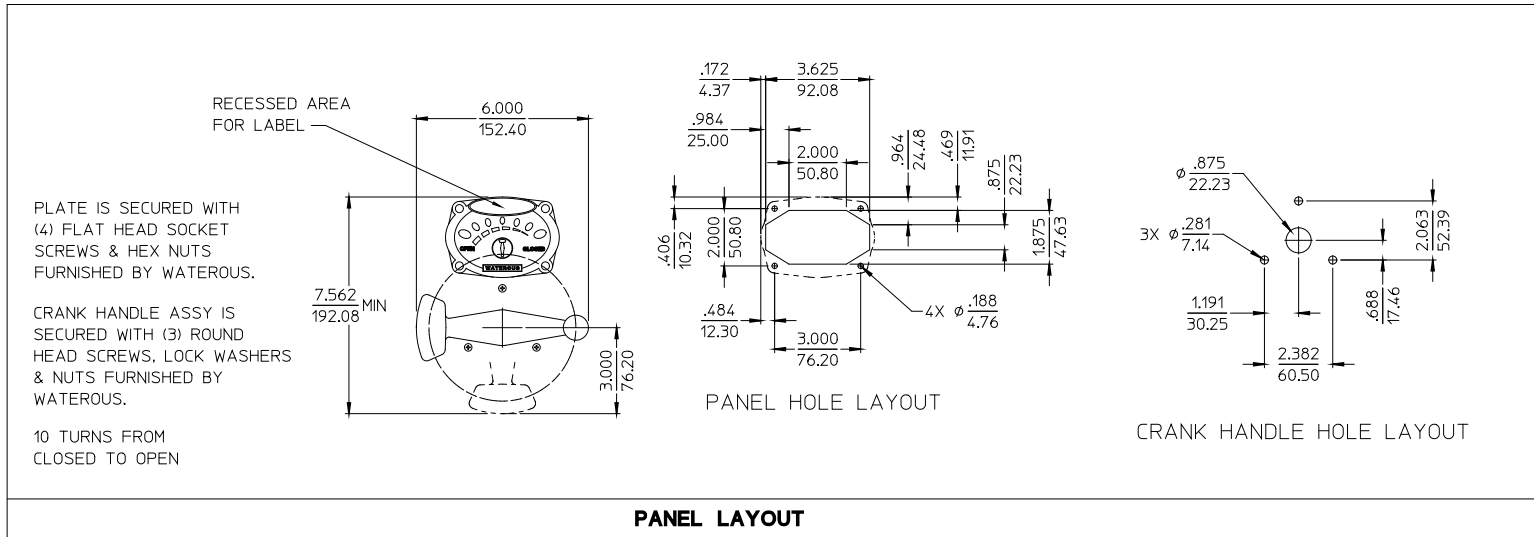


**3-1/2 IN. TANK TO PUMP
VALVE WITH MANUAL
ROTARY ACTUATOR**
(FIGURE 1 SHOWN)

NOTES:
WHEN ORDERING SUPPLY THE FOLLOWING INFORMATION:
1. VALVE PART NUMBER 83629.
2. SUFFIXES WHICH INDICATE OPTIONAL CONTROL PANEL, VALVE END FITTING AND ACTUATOR CONFIGURATION.

83629-ZA (1)
└ ACTUATOR CONFIGURATION NUMBER

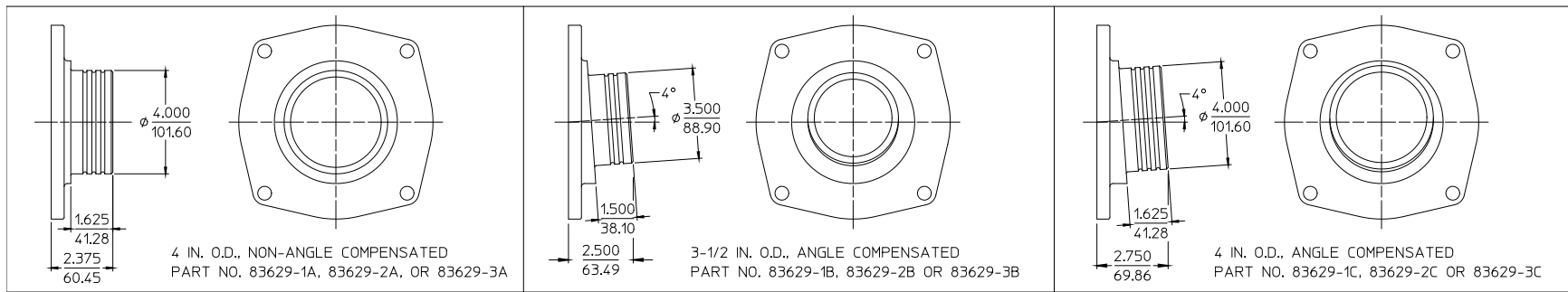
OPTIONAL CONTROL PANEL AND VALVE END CONNECTOR:
WITHOUT WATEROUS CONTROL PANEL:
1A (12 OR 24 VOLT, 4 IN. NON-ANGLE COMP.)
1B (12 OR 24 VOLT, 3-1/2 IN. ANGLE COMP.)
1C (12 OR 24 VOLT, 4 IN. ANGLE COMP.)
WITH WATEROUS CONTROL PANEL:
2A (12 VOLT, 4 IN. NON-ANGLE COMP.)
2B (12 VOLT, 3-1/2 IN. ANGLE COMP.)
2C (12 VOLT, 4 IN. ANGLE COMP.)
3A (24 VOLT, 4 IN. NON-ANGLE COMP.)
3B (24 VOLT, 3-1/2 IN. ANGLE COMP.)
3C (24 VOLT, 4 IN. ANGLE COMP.)



ALL DIMENSIONS SHOWN
AS INCH/MILLIMETER

($\frac{\text{INCH}}{\text{MILLIMETER}}$)

OPTIONAL CONTROL PANEL



AVAILABLE VALVE END FITTINGS

ALL DIMENSIONS SHOWN
AS INCH/MILLIMETER

($\frac{\text{INCH}}{\text{MILLIMETER}}$)