



Document Number	Issue Date	Rev. Date
SPL82618	10/15/02	8/14/17

Manual Discharge Valve Assembly with Rotary Actuator, 2-1/2 Standard Service Parts List

Index:

Components	See Page
2-1/2 in. Standard Ball Valve	2, 3
Rotary Actuator	4, 5
Cables and Panel Components	6, 7
Available Repair Subassemblies	8, 9

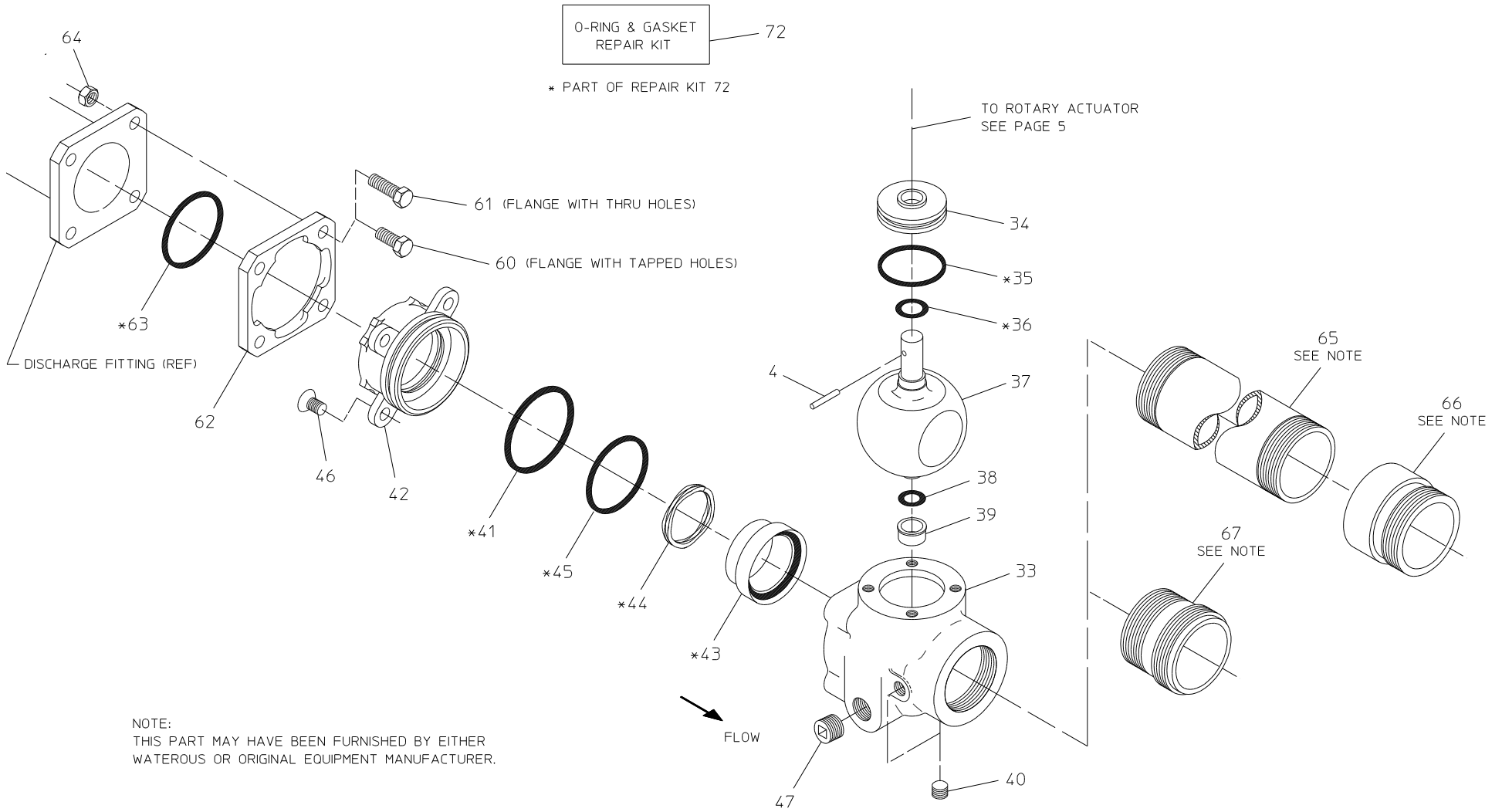
2-1/2 in. Standard Ball Valve

REF. NO.	DESCRIPTION
4	Spring Pin, 3/16 in.
33	Valve Body
34	Upper Stem Bushing
35	O-ring, 2-1/8 x 2-3/8 in.
36	O-ring, 3/4 x 15/16 in.
37	Ball Valve
38	O-ring, 9/16 x 3/4 in.
39	Lower Stem Bushing
40	Pipe Plug, 1/4 in.
41	O-ring, 3-3/8 x 3-5/8 in.
42	Retainer Seal
43	Valve Seal
44	Wave Spring

REF. NO.	DESCRIPTION
45	O-ring, 2-1/2 x 2-3/4 in.
46	Socket Flat Head Screw, 7/16-14 x 3/4 in.
47	Pipe Plug, 3/4 in.
60	Hex Head Screw, 7/16-14 x 1 in. (See Note 1)
61	Hex Head Screw, 7/16-20 x 1-1/2 in.
62	Mounting Flange
63	O-ring, 2-3/4 x 3 in.
64	Hex Nut, 7/16-20 (Used Only With 61)
65	Pipe Nipple, 2-1/2 x 10 in. (See Note 2)
66	Hose Adapter (See Note 2)
67	Hose Nipple (See Note 2)
72	O-ring and Gasket Repair Kit

Notes:

1. Ref. no. 60, hex head screw 7/16-14 x 1 in. used instead of ref. no. 61, hex head screw 7/16-20 x 1-1/2 in. when discharge flange has tapped mounting holes.
2. Ref. no. 65, 66 and 67 may have been furnished by either Waterous or original equipment manufacturer.

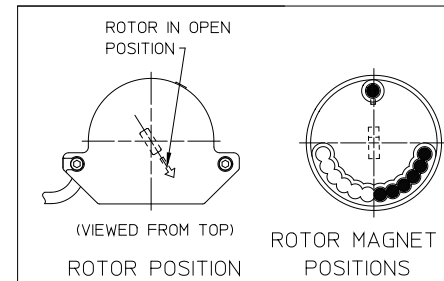
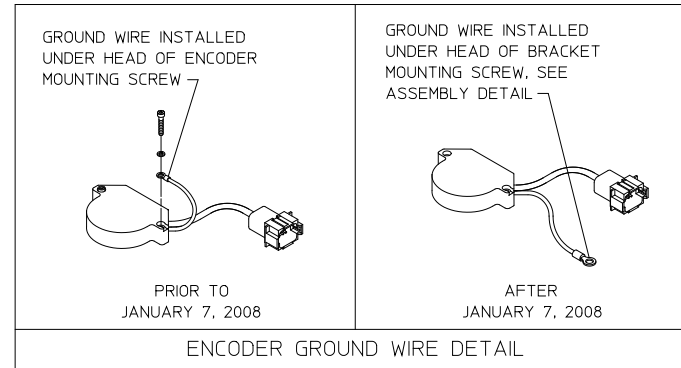
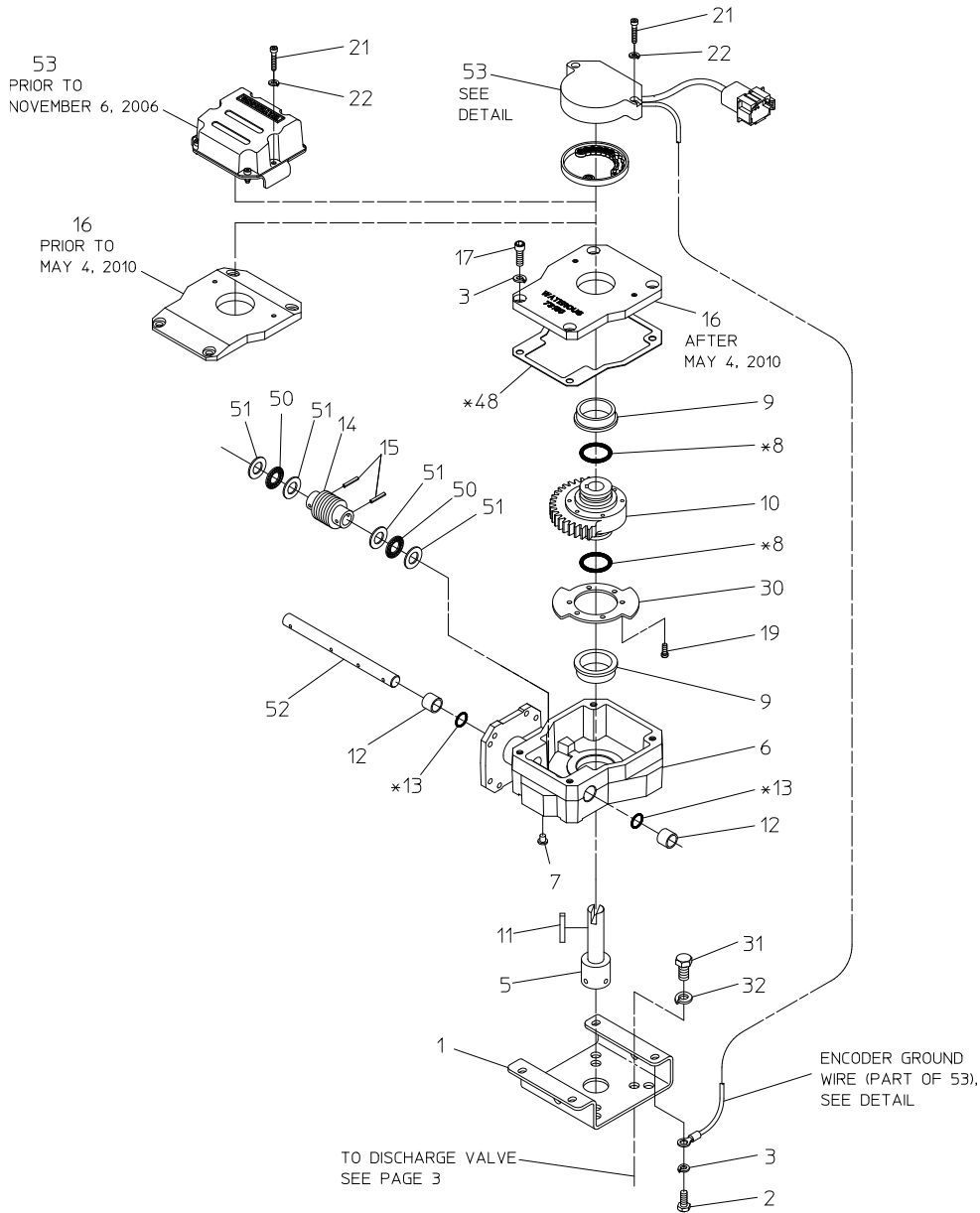


2-1/2 IN. STANDARD BALL VALVE

Rotary Actuator

REF. NO.	DESCRIPTION
1	Mounting Bracket
2	Hex Head Screw, 1/4-20 x 5/8 in.
3	Lock Washer, 1/4 in.
5	Extension Shaft
6	Worm Gear Housing Assembly (Includes Flanged Bearing 9, Sleeve Bearing 12 and O-ring 13)
7	Rubber Plug
8	O-ring, 1 x 1-1/4 in.
9	Flanged Bearing, 1-1/4 x 1-1/2 in.
10	Sector, Worm Gear
11	Key, 3/16 x 1-1/4 in.
12	Sleeve Bearing, 1/2 x 5/8 in.
13	O-ring, 1/2 x 5/8 in.
14	Worm Gear
15	Spirol Pin, 1/8 x 3/4

REF. NO.	DESCRIPTION
16	Housing Cover Assembly (Includes Flanged Bearing 9)
17	Socket Head Screw, 1/4-20 x 5/8 in.
19	Socket Head Screw, 8-32 x 1/2 in.
21	Socket Head Screw, 8-32 x 7/8 in.
22	Lock Washer, #8
30	Limit Disc
31	Hex Head Screw, 3/8-16 x 5/8 in.
32	Lock Washer, 3/8 in.
48	Actuator Gasket
50	Needle Bearing, 1/2 x 3/4 in.
51	Thrust Washer, 1/2 x 3/4 in.
52	Gear Case Shaft
53	Rotary Switch Assembly (Prior to November 6, 2006) Rotary Encoder (After November 6, 2006)
72	O-ring and Gasket Repair Kit



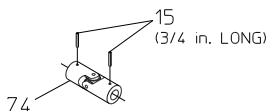
O-RING & GASKET
REPAIR KIT 72
* PART OF REPAIR KIT 72

ROTARY ACTUATOR

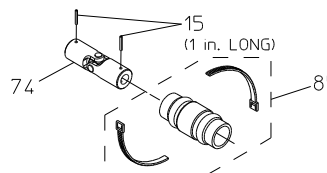
Cables and Panel Components

REF. NO.	DESCRIPTION
3	Lock Washer, 1/4 in.
4	Spring Pin, 3/16 in.
15	Spirol Pin, 1/8 x 3/4 in. or 1 in.
69	LED Panel Wiring Assembly
70	Switch Extension Wire Assembly
74	U-Joint
75	Hex Nut, 1/4-20
77	Remote Body

REF. NO.	DESCRIPTION
78	Thrust Bearing, 1/2 in.
79	Pan Head Screw, 1/4-20 x 1 in.
80	Remote Shaft
82	Discharge Valve Handle
83	Socket Head Screw, 6-32 x 3/4 in. (Prior to November 6, 2006)
83	Control Panel Mounting Hardware (Includes (4) Socket Hd Screws, #6-32 x 3/4 in. and (4) Nylok Nuts, #6-32) (After November 6, 2006)
84	Nylok Nut, #6-32 (Prior to November 6, 2006)
85	U-Joint Boot (Includes Cable Ties)



STANDARD CONFIGURATION

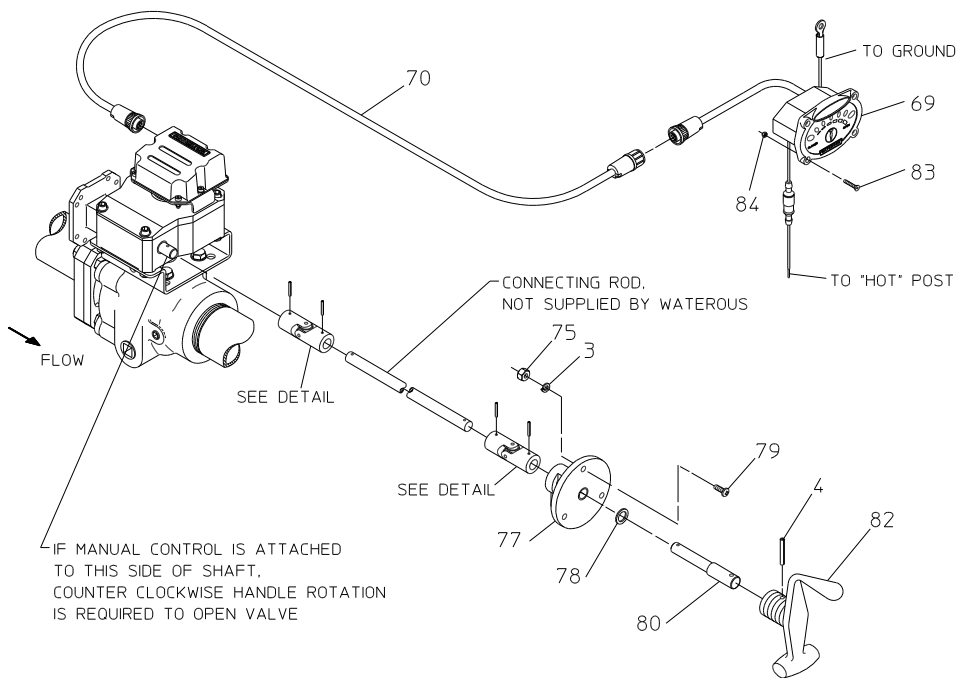


OPTIONAL CONFIGURATION WITH SEALING BOOT

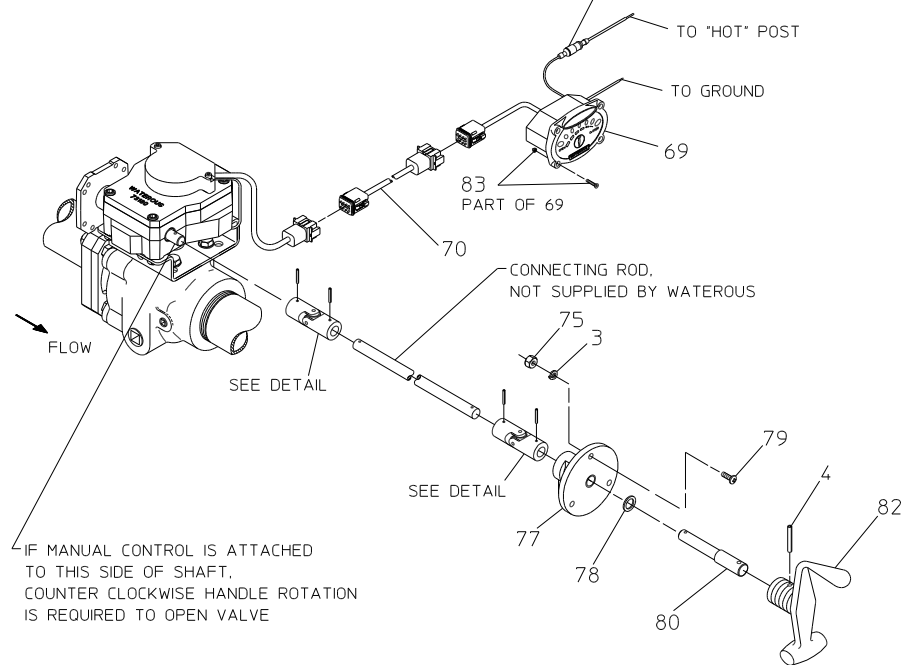
U-JOINT DETAIL

CONTROL PANEL POWER WIRE FURNISHED TWO WAYS:

- WITH 3 AMP IN-LINE FUSE
- WITHOUT 3 AMP IN-LINE FUSE (PANEL 69 HAS A INTERNAL CIRCUIT BREAKER WHICH RE-SETS AUTOMATICALLY)



VALVES BUILT PRIOR TO NOVEMBER 6, 2006



VALVES BUILT AFTER NOVEMBER 6, 2006

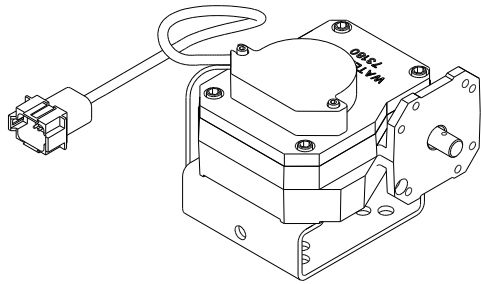
CABLES AND PANEL COMPONENTS

Available Repair Subassemblies

REF. NO.	DESCRIPTION
86	Actuator Subassembly

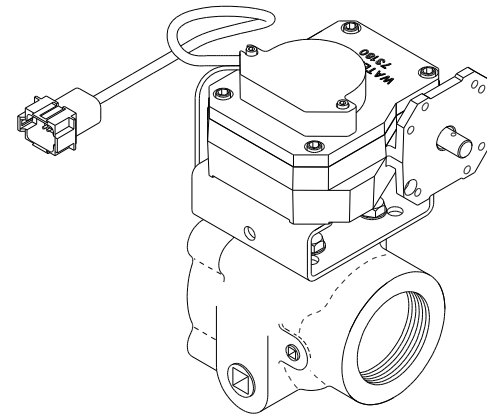
REF. NO.	DESCRIPTION
87	Valve and Actuator Subassembly

86



ACTUATOR SUBASSEMBLY

87



VALVE AND ACTUATOR SUBASSEMBLY

AVAILABLE REPAIR SUBASSEMBLIES