



|                 |                 |                |
|-----------------|-----------------|----------------|
| Document Number | Issue Date      | Rev. Date      |
| <b>SPL82742</b> | <b>07/16/03</b> | <b>5/16/17</b> |

## Tank to Pump Valve with Electric Rotary Actuator Service Parts List

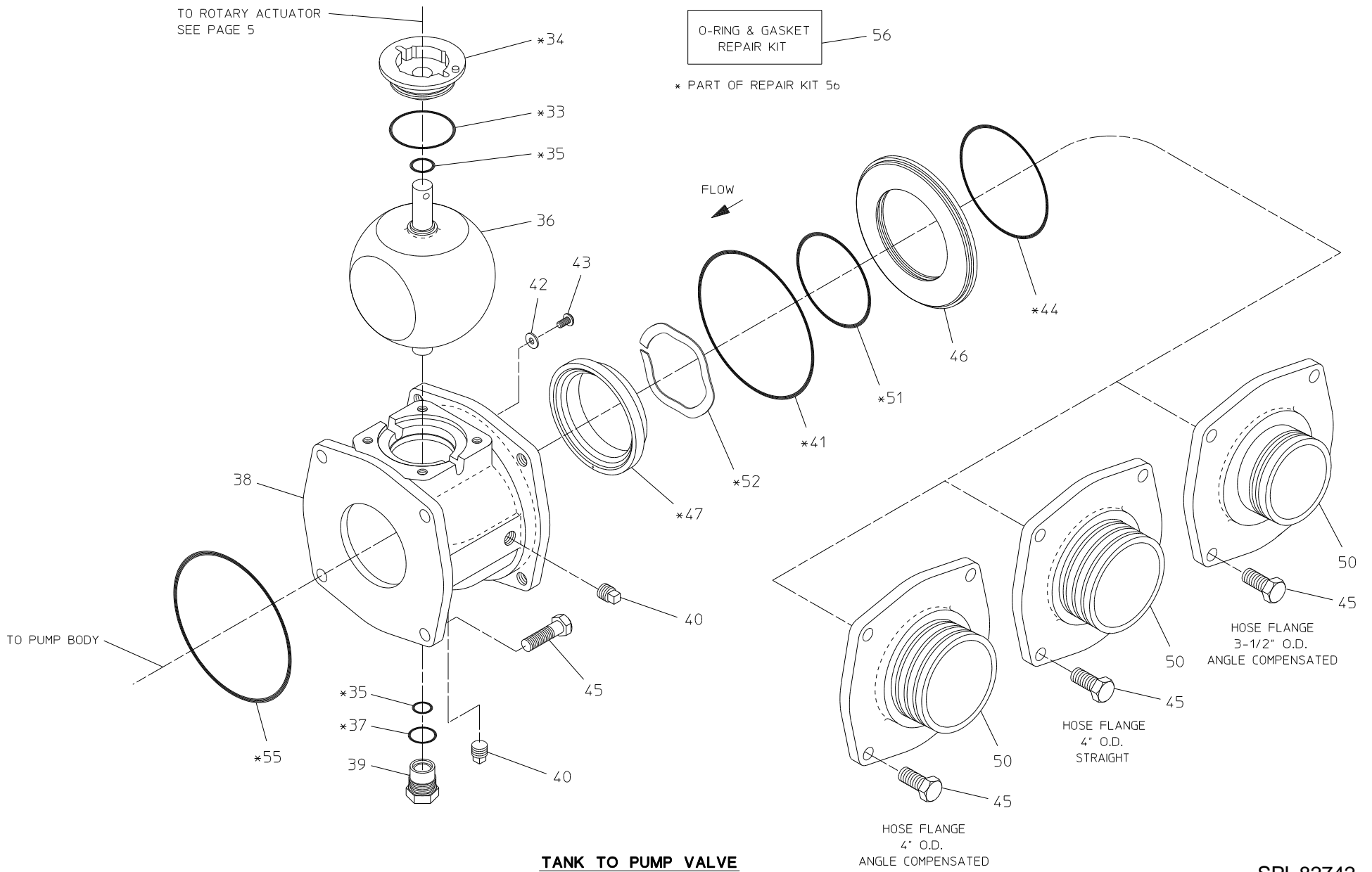
Index:

| <b>Components</b>              | <b>See Page</b> |
|--------------------------------|-----------------|
| Tank to Pump Valve             | 2, 3            |
| Electric Rotary Actuator       | 4, 5            |
| Cables and Panel Components    | 6, 7            |
| Available Repair Subassemblies | 8, 9            |

## Tank to Pump Valve

| REF. NO. | DESCRIPTION                |
|----------|----------------------------|
| 33       | O-ring, 2-5/16 x 2-1/2 in. |
| 34       | Upper Bushing              |
| 35       | O-ring, 3/4 x 15/16 in.    |
| 36       | Ball Valve                 |
| 37       | O-ring, 1-1/8 x 1-5/16 in. |
| 38       | Valve Body                 |
| 39       | Pivot Plug                 |
| 40       | Pipe Plug, 1/2 in.         |
| 41       | O-ring, 6 x 6-1/4 in.      |
| 42       | Flat Washer, 1/4 in.       |

| REF. NO. | DESCRIPTION                      |
|----------|----------------------------------|
| 43       | Pan Hd Screw, 1/4-20 x 1/2 in.   |
| 44       | O-ring, 5 x 5-1/4 in.            |
| 45       | Hex Hd Screw, 1/2-13 x 1-1/4 in. |
| 46       | Seal Retainer                    |
| 47       | Seal                             |
| 50       | Hose Nipple                      |
| 51       | O-ring, 3-3/4 x 4 in.            |
| 52       | Wave Spring                      |
| 55       | O-ring, 6-3/4 x 7 in.            |
| 56       | O-ring and Gasket Repair Kit     |



**TANK TO PUMP VALVE**

## Electric Rotary Actuator

| REF. NO. | DESCRIPTION  |
|----------|--|
| 1        | Mounting Bracket   |
| 2        | Hex Head Screw, 1/4-20 x 5/8 in.   |
| 3        | Lock Washer, 1/4 in.   |
| 4        | Spring Pin, 1/4 x 1-1/8 in.  |
| 5        | Extension Shaft  |
| 6        | Worm Gear Housing Assembly (Includes Flanged Bearing 9, Sleeve Bearing 12 and O-ring 13) |
| 7        | Rubber Plug  |
| 8        | O-ring, 1 x 1-1/4 in.  |
| 9        | Flanged Bearing, 1-1/4 x 1-1/2 in.   |
| 10       | Worm Gear Sector   |
| 11       | Key, 3/16 x 1-1/4 in.  |
| 12       | Sleeve Bearing, 1/2 x 5/8 in.  |
| 13       | O-ring, 1/2 x 5/8 in.  |
| 14       | Worm Gear  |
| 15       | Spirol Pin, 1/8 x 3/4  |

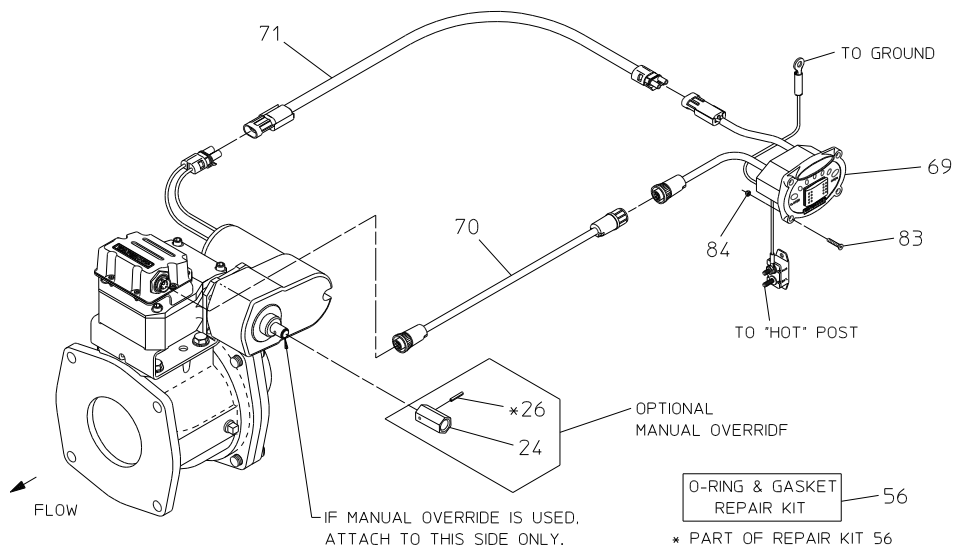
| REF. NO. | DESCRIPTION   |
|----------|---|
| 16       | Housing Cover Assembly (Includes Flanged Bearing 9) |
| 17       | Socket Head Screw, 1/4-20 x 5/8 in.                 |
| 19       | Socket Head Screw, 8-32 x 1/2 in.                   |
| 21       | Socket Head Screw, 8-32 x 7/8 in.                   |
| 22       | Lock Washer, #8                                     |
| 25       | Gear Motor  |
| 30       | Limit Disc  |
| 31       | Hex Head Screw, 3/8-16 x 5/8 in.                    |
| 32       | Lock Washer, 3/8 in.                                |
| 48       | Actuator Gasket                                     |
| 53       | Rotary Switch Assembly (Prior to November 6, 2006)  |
| 53       | Rotary Encoder (After November 6, 2006)             |
| 54       | Gear Motor Gasket                                   |
| 56       | O-ring and Gasket Repair Kit                        |
| 57       | Motor Replacement Kit                               |



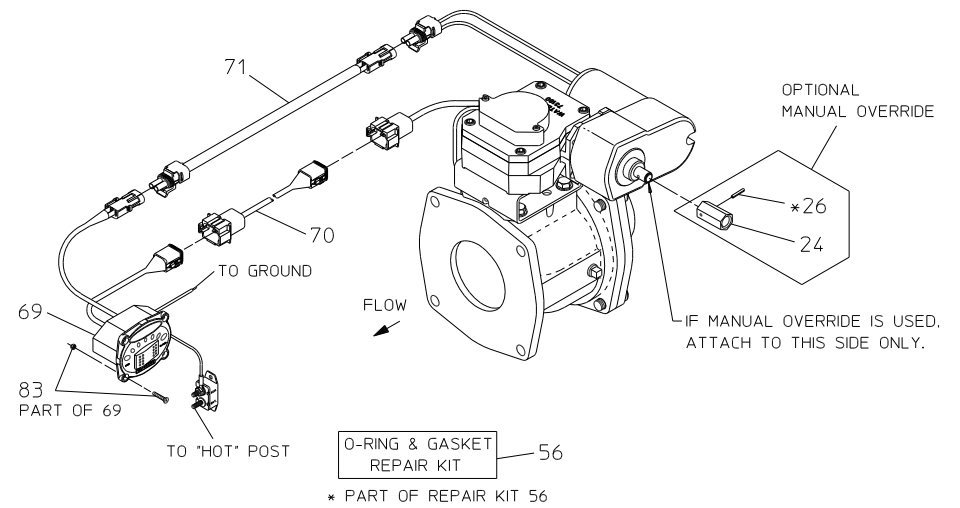
## Cable and Panel Components

| REF. NO. | DESCRIPTION                    |
|----------|--------------------------------|
| 24       | Adapter Nut                    |
| 26       | Spirol Pin, 1/8 x 3/4 in.      |
| 56       | O-ring and Gasket Repair Kit   |
| 69       | LED Panel Wiring Assembly      |
| 70       | Switch Extension Wire Assembly |

| REF. NO. | DESCRIPTION   |
|----------|---|
| 71       | Motor Extension Wire Assembly   |
| 83       | Socket Hd Screw, 6-32 x 3/4 in. (Prior to November 6, 2006)   |
| 83       | Control Panel Mounting Hardware (Includes (4) Socket Hd Screws, #6-32 x 3/4 and (4) Nylok Nuts, #6-32) (After November 6, 2006) |



VALVES BUILT PRIOR TO  
NOVEMBER 6, 2006



VALVES BUILT AFTER  
NOVEMBER 6, 2006

CABLES AND PANEL COMPONENTS

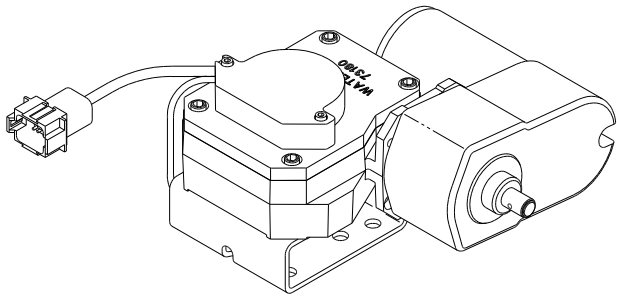
## Available Repair Subassemblies

| REF. NO. | DESCRIPTION          |
|----------|----------------------|
| 84       | Actuator Subassembly |

| REF. NO. | DESCRIPTION                    |
|----------|--------------------------------|
| 85       | Valve and Actuator Subassembly |

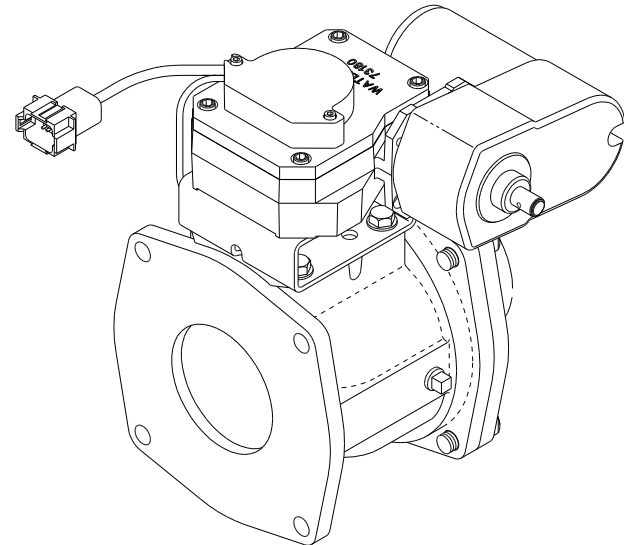


84



ACTUATOR SUBASSEMBLY

85



VALVE AND ACTUATOR SUBASSEMBLY

**AVAILABLE REPAIR SUBASSEMBLIES**