



Document Number	Issue Date	Rev. Date
SPL82966	04/19/07	5/16/17

8 in. Butterfly Valve Service Parts List

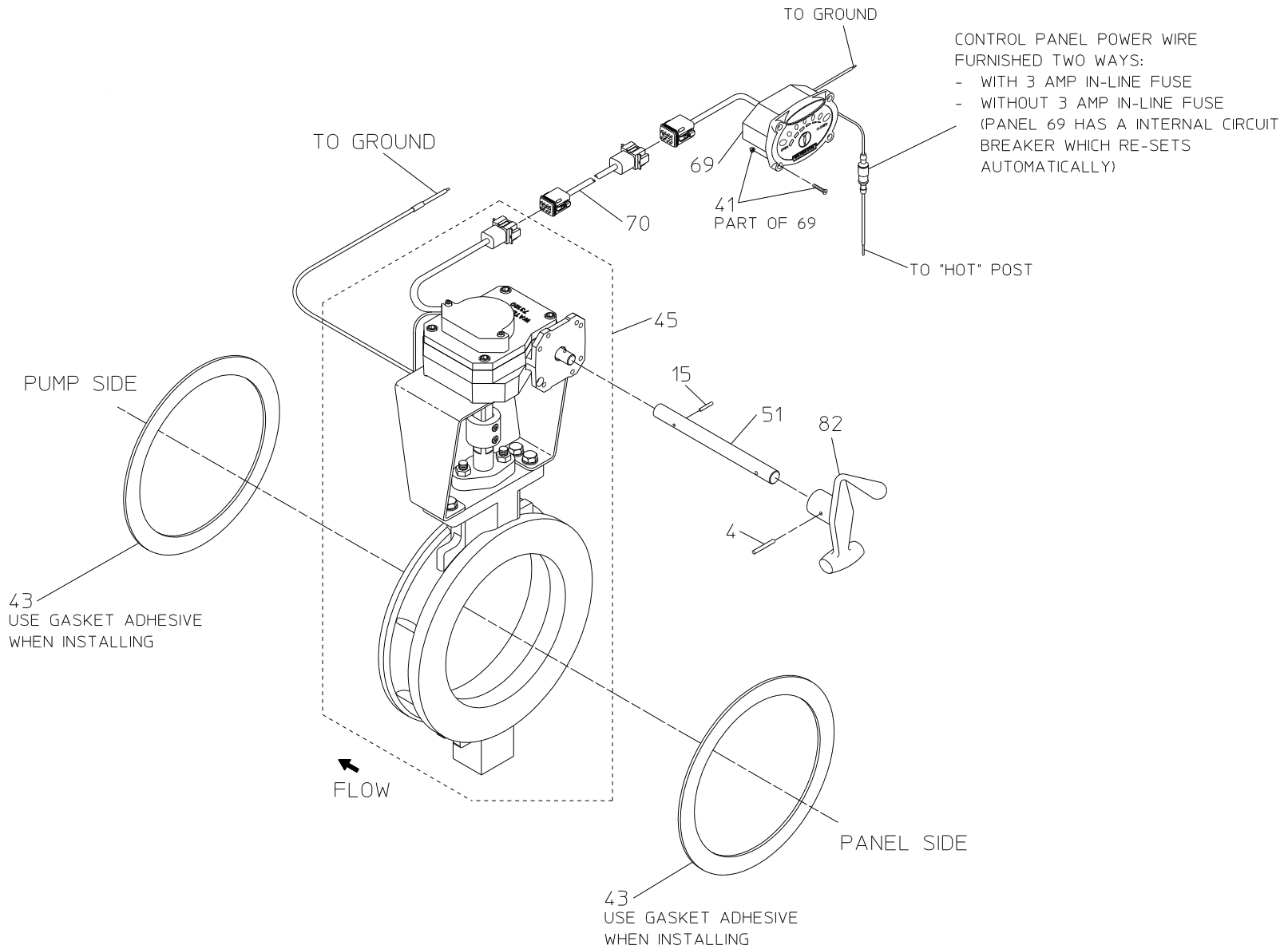
For details of valve not shown on this document, refer to F-1031, Section 2318 (METSO document no. IM0-308).

Valve Actuator Type		Components	See Pages
Manual	Indicating	Cables and Panel Components	2, 3
		Valve Body	4, 5
		Rotary Actuator	6, 7

Manual Indicating Valve, Cables & Panel Components

REF. NO.	DESCRIPTION
4	Spring Pin, 3/16 x 1-1/4 in.
15	Spirol Pin, 1/8 x 3/4 in.
41	Socket Flat Head Screw, #6-32 x 3/4 in.
43	Flange Gasket
45	Manual Butterfly Valve (Includes Actuator)

REF. NO.	DESCRIPTION
51	Shaft Extension
69	LED Panel Assembly
70	Encoder Extension Cable
82	Control Handle



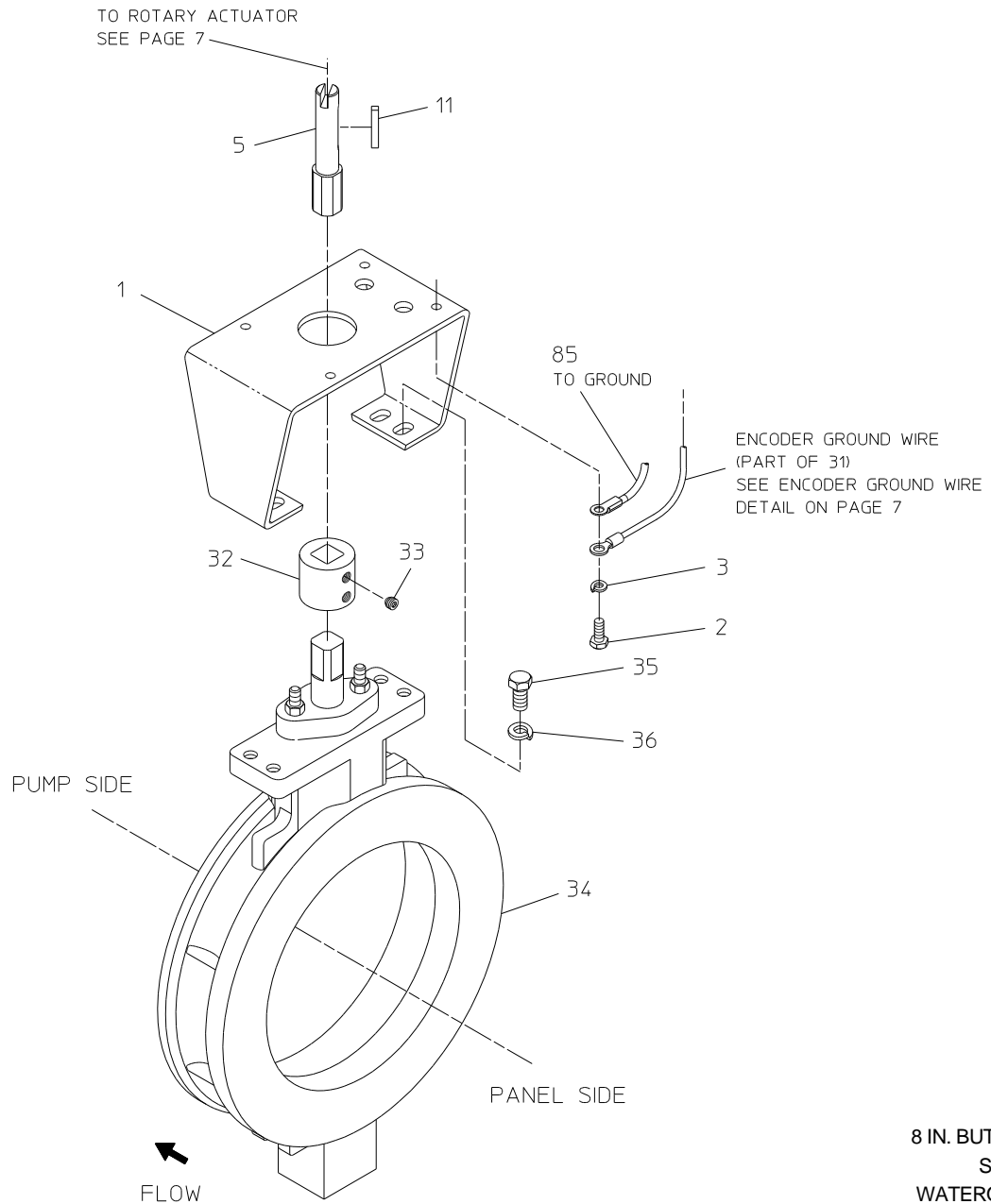
**MANUAL INDICATING VALVE
WITH CABLE AND PANEL COMPONENTS**

Manual Indicating Valve Body

REF. NO.	DESCRIPTION
1	Mounting Bracket
2	Hex Head Screw, 1/4-20 x 5/8 in.
3	Lock Washer, 1/4 in.
5	Extension Shaft
11	Key, 3/16 x 1-1/4 in.
32	Coupling

REF. NO.	DESCRIPTION
33	Hex Socket Set Screw, 3/8-24 x 5/16 in.
34	Butterfly Valve (Less Actuator)
35	Hex Head Screw, 3/8-16 x 3/4 in.
36	Lock Washer, 3/8 in.
49	Valve Seat and Shaft Seal Repair Kit
85	Ground Wire Assembly

VALVE SEAT AND
SHAFT SEAL
REPAIR KIT
49



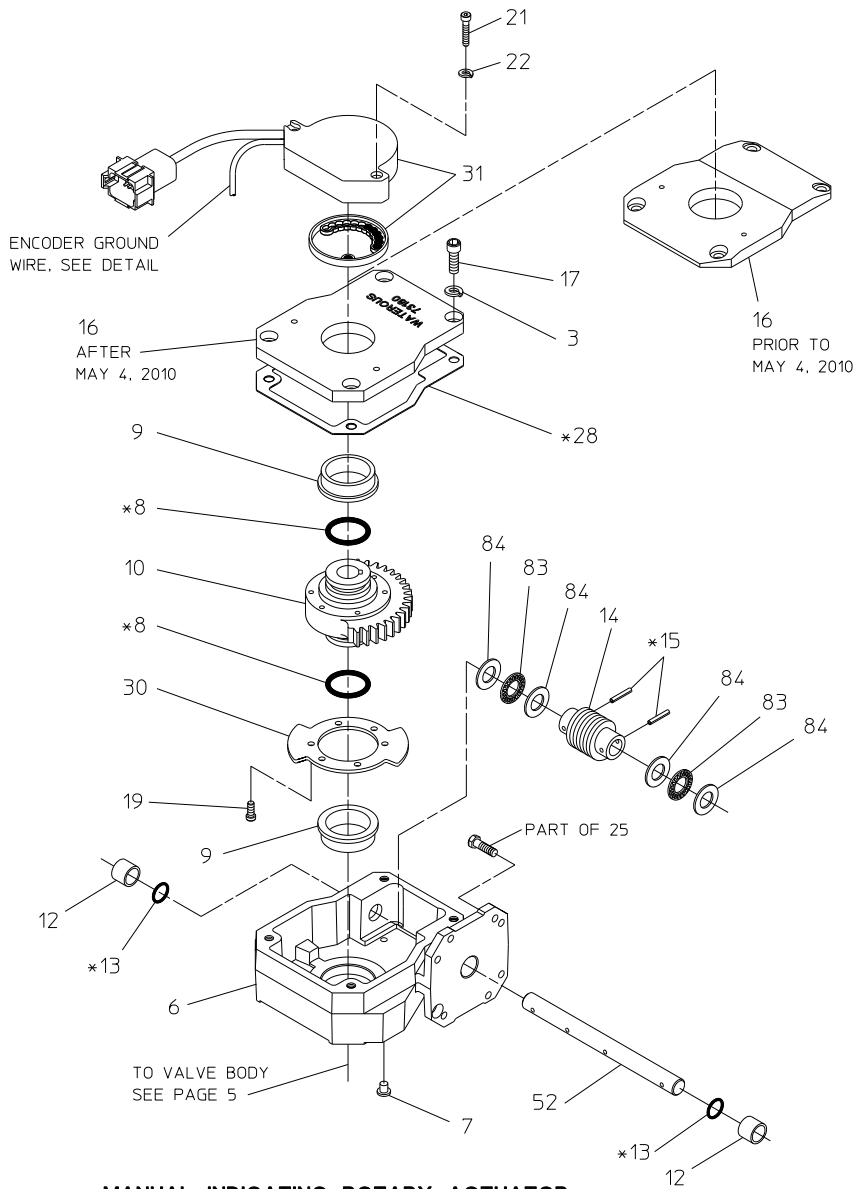
MANUAL INDICATING VALVE BODY

8 IN. BUTTERFLY VALVE
SPL82966
WATEROUS COMPANY
SOUTH ST. PAUL, MN 55075
PAGE 5 OF 7

Manual Indicating Rotary Actuator

REF. NO.	DESCRIPTION
3	Lock Washer, 1/4 in.
6	Worm Gear Housing Assembly (Includes Flanged Bearing 9, Sleeve Bearing 12 and O-ring 13)
7	Rubber Plug
8	O-ring, 1 x 1-1/4 in.
9	Flanged Bearing, 1-1/4 x 1-1/2 in.
10	Worm Gear Sector
12	Sleeve Bearing, 1/2 x 5/8 in.
13	O-ring, 1/2 x 5/8 in.
14	Worm Gear
15	Spirol Pin, 1/8 x 3/4 in.
16	Housing Cover Assembly (Includes Flanged Bearing 9)

REF. NO.	DESCRIPTION
17	Socket Head Screw, 1/4-20 x 5/8 in.
19	Socket Head Screw, 8-32 x 1/2 in.
21	Socket Head Screw, 8-32 x 7/8 in.
22	Lock Washer, #8
28	Actuator Gasket
30	Limit Disc
31	Rotary Encoder Repair Kit
37	Actuator O-ring and Gasket Repair Kit
52	Gear Case Shaft
83	Needle Bearing
84	Thrust Washer



MANUAL INDICATING ROTARY ACTUATOR

ACTUATOR
O-RING & GASKET
REPAIR KIT 37

* PART OF REPAIR KIT 37

