



Document Number SPL83505	Issue Date 2/6/15	Rev. Date
------------------------------------	-----------------------------	-----------

Tank to Pump Valve with Manual Actuator Service Parts List

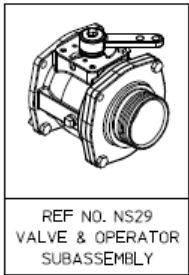
Index:

Component	See Page
Complete Valve	2, 3

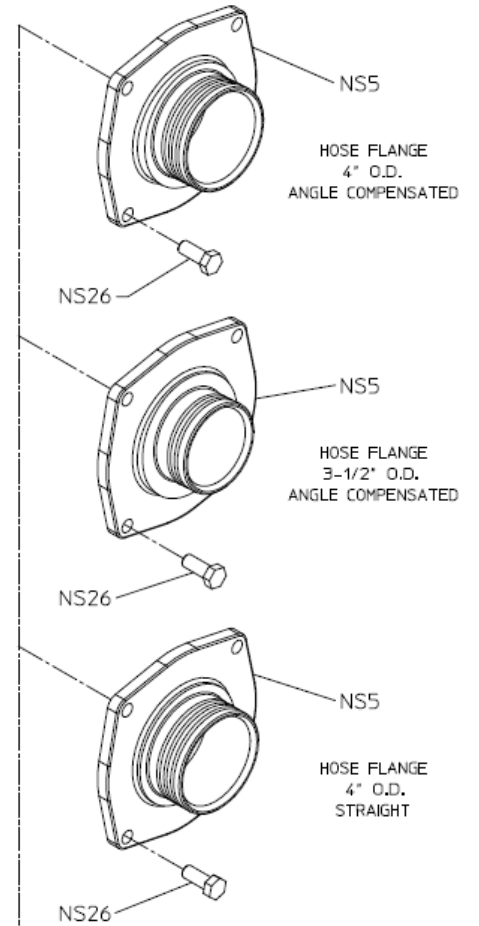
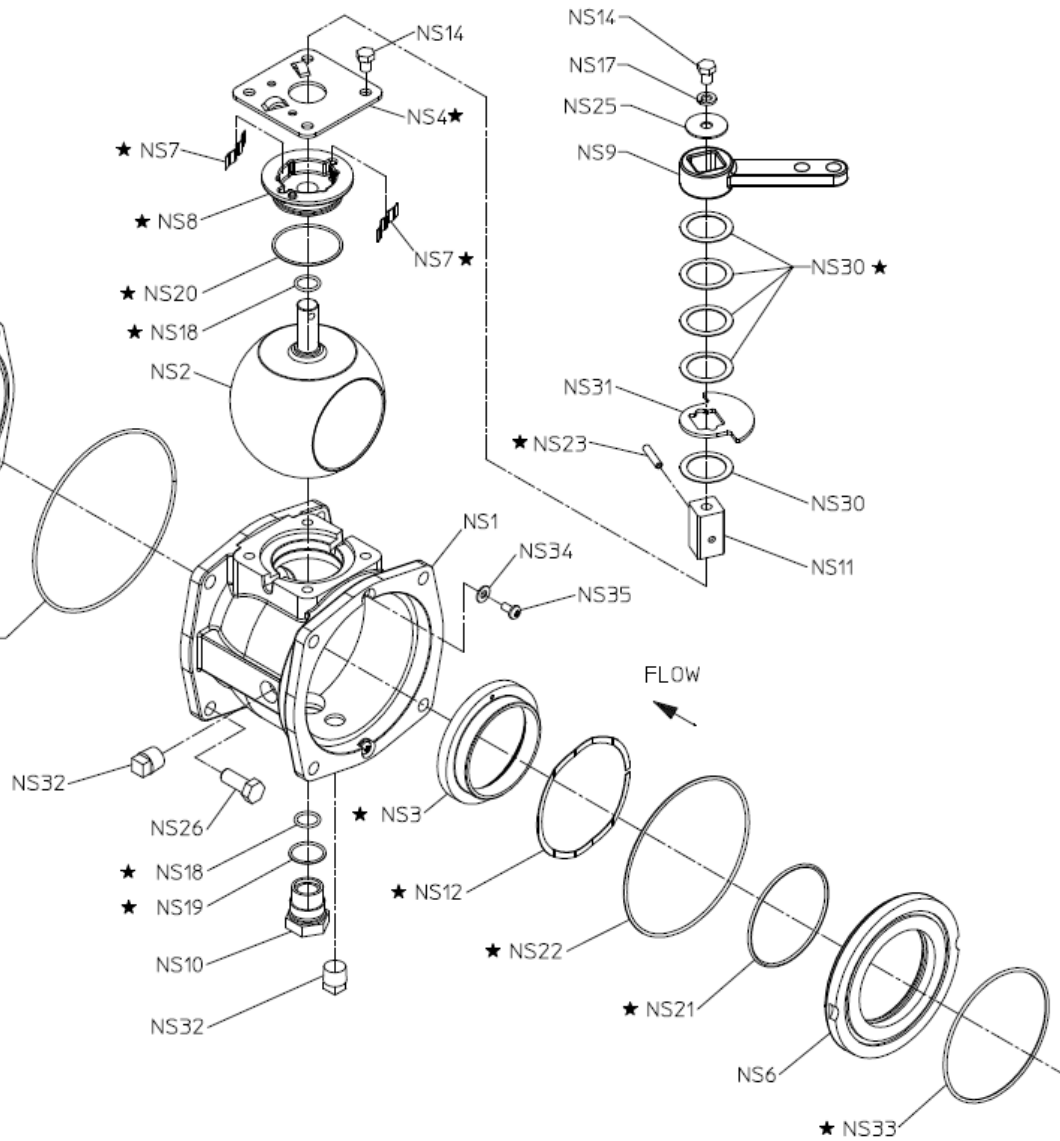
Tank to Pump Valve

REF NO.	DESCRIPTION
NS1	Valve Body
NS2	Valve Ball
NS3	Valve Seal
NS4	Cover Plate or Bracket
NS5	Hose Nipple
NS6	Seal Retainer
NS7	Detent Spring
NS8	Upper Bushing
NS9	Handle
NS10	Pivot Plug
NS11	Square Sleeve
NS12	Wave Spring
NS14	Hex Hd Screw, 3/8-16 x 1/2 in.
NS17	Lock Washer, 3/8 in.
NS18	O-ring, 3/4 x 15/16 in.
NS19	O-ring, 1-1/8 x 1-5/16 in.

REF NO.	DESCRIPTION
NS20	O-ring, 2-15/16 x 2-1/2 in.
NS21	O-ring, 3-3/4 x 4 in.
NS22	O-ring, 6 x 6-1/4 in.
NS23	Spring Pin, 1/4 x 1-1/4 in., Stainless Steel
NS24	O-ring, 6-3/4 x 7 in.
NS25	Fender Washer, 3/8 in.
NS26	Hex Hd Screw, 1/2-13 x 1-1/4 in.
NS29	Tank to Pump Valve Subassembly
NS30	Thrust Washer, 1-3/8 ID
NS31	Stop Cam
NS32	Pipe Plug, 1/2 in.
NS33	O-ring, 5 x 5-1/4 in.
NS34	Flat Washer, 1/4 in.
NS35	Pan Hd Screw, 1/4-20 x 1/2 in.
NS99	Repair Kit



PUMP BODY (REF)



REPAIR
KIT NS99

★ INDICATES PARTS INCLUDED IN
REPAIR KIT NS99