

Tank to Pump Valve with Electric Rotary Actuator Service Parts List

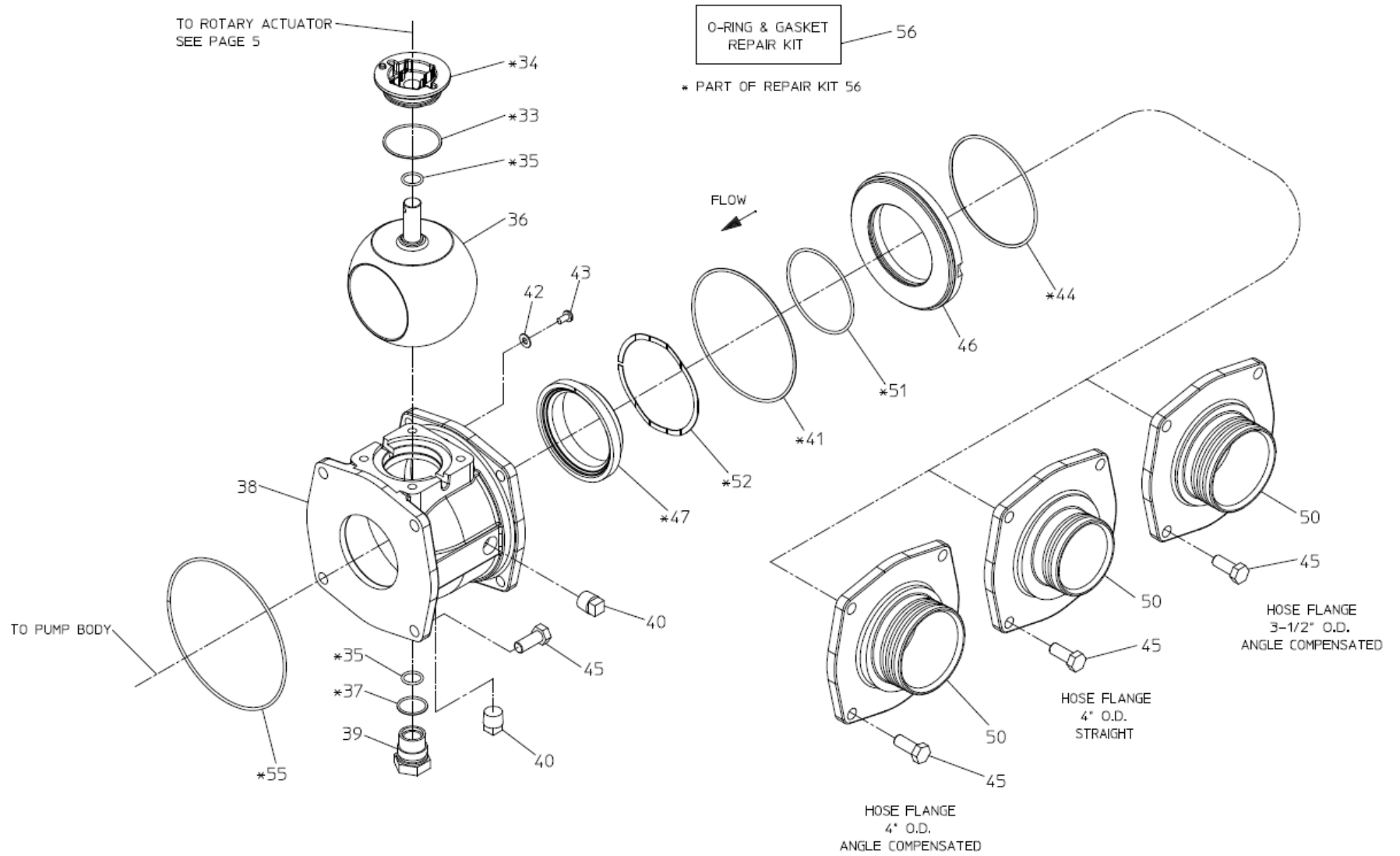
Index:

Components	See Page
Tank to Pump Valve	2, 3
Electric Rotary Actuator	4, 5
Cables and Panel Components	6, 7
Available Repair Subassemblies	8, 9

Tank to Pump Valve

REF NO.	DESCRIPTION
33	O-ring, 2-5/16 x 2-1/2 in.
34	Upper Bushing
35	O-ring, 3/4 x 15/16 in.
36	Ball Valve
37	O-ring, 1-1/8 x 1-5/16 in.
38	Valve Body
39	Pivot Plug
40	Pipe Plug, 1/2 in.
41	O-ring, 6 x 6-1/4 in.
42	Flat Washer, 1/4 in.

REF NO.	DESCRIPTION
43	Pan Hd Screw, 1/4-20 x 1/2 in.
44	O-ring, 5 x 5-1/4 in.
45	Hex Hd Screw, 1/2-13 x 1-1/4 in.
46	Seal Retainer
47	Seal
50	Hose Nipple
51	O-ring, 3-3/4 x 4 in.
52	Wave Spring
55	O-ring, 6-3/4 x 7 in.
56	O-ring and Gasket Repair Kit

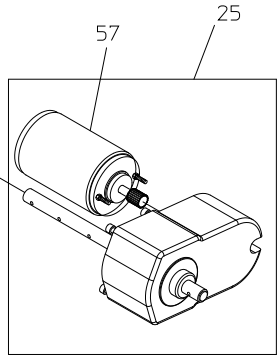
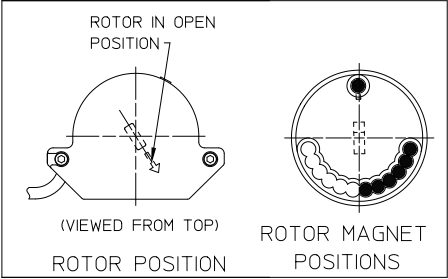
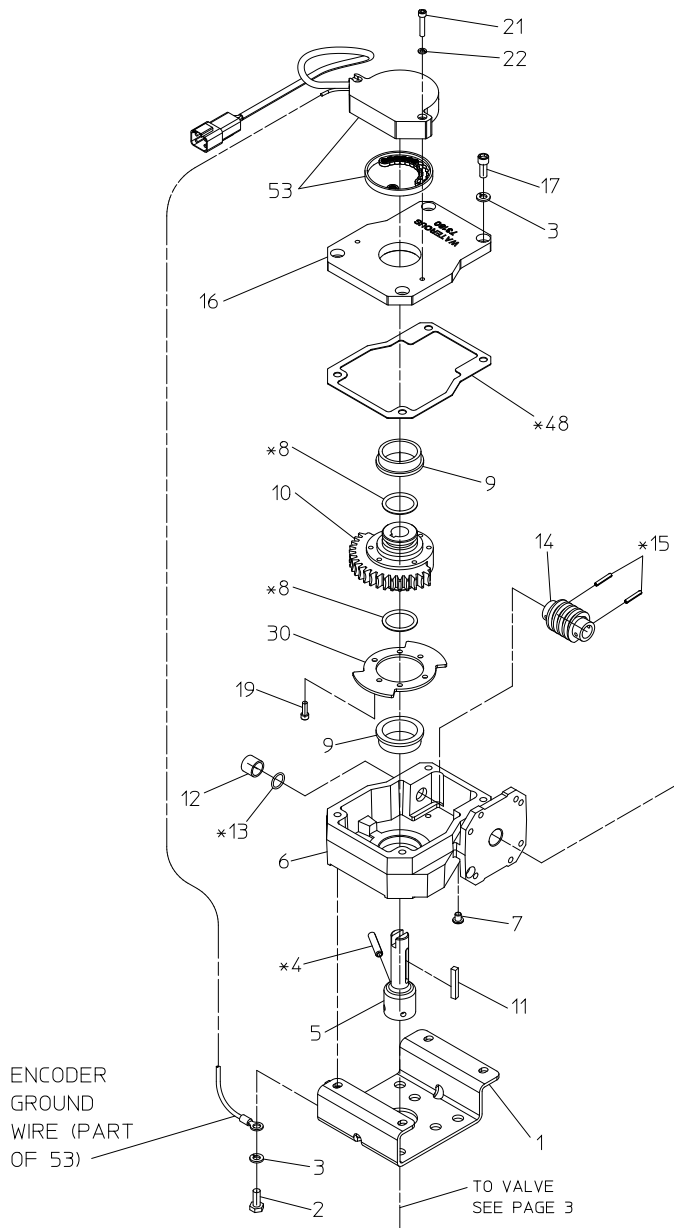


TANK TO PUMP VALVE

Electric Rotary Actuator

REF NO.	DESCRIPTION
1	Mounting Bracket
2	Hex Head Screw, 1/4-20 x 5/8 in.
3	Lock Washer, 1/4 in.
4	Spring Pin, 1/4 x 1-1/8 in.
5	Extension Shaft
6	Worm Gear Housing Assembly (Includes Flanged Bearing 9, Sleeve Bearing 12 and O-ring 13)
7	Rubber Plug
8	O-ring, 1 x 1-1/4 in.
9	Flanged Bearing, 1-1/4 x 1-1/2 in.
10	Worm Gear Sector
11	Key, 3/16 x 1-1/4 in.
12	Sleeve Bearing, 1/2 x 5/8 in.
13	O-ring, 1/2 x 5/8 in.
14	Worm Gear
15	Spirol pin, 1/8 x 3/4

REF NO.	DESCRIPTION
16	Housing Cover Assembly (Includes Flanged Bearing 9)
17	Socket Head Screw, 1/4-20 x 5/8 in.
19	Socket Head Screw, 8-32 x 1/2 in.
21	Socket Head Screw, 8-32 x 7/8 in.
22	Lock Washer, #8
25	Gear Motor
30	Limit Disc
31	Hex Head Screw, 3/8-16 x 5/8 in.
32	Lock Washer, 3/8 in.
48	Actuator Gasket
53	Rotary Encoder
54	Gear Motor Gasket
56	O-ring and Gasket Repair Kit
57	Motor Replacement Kit



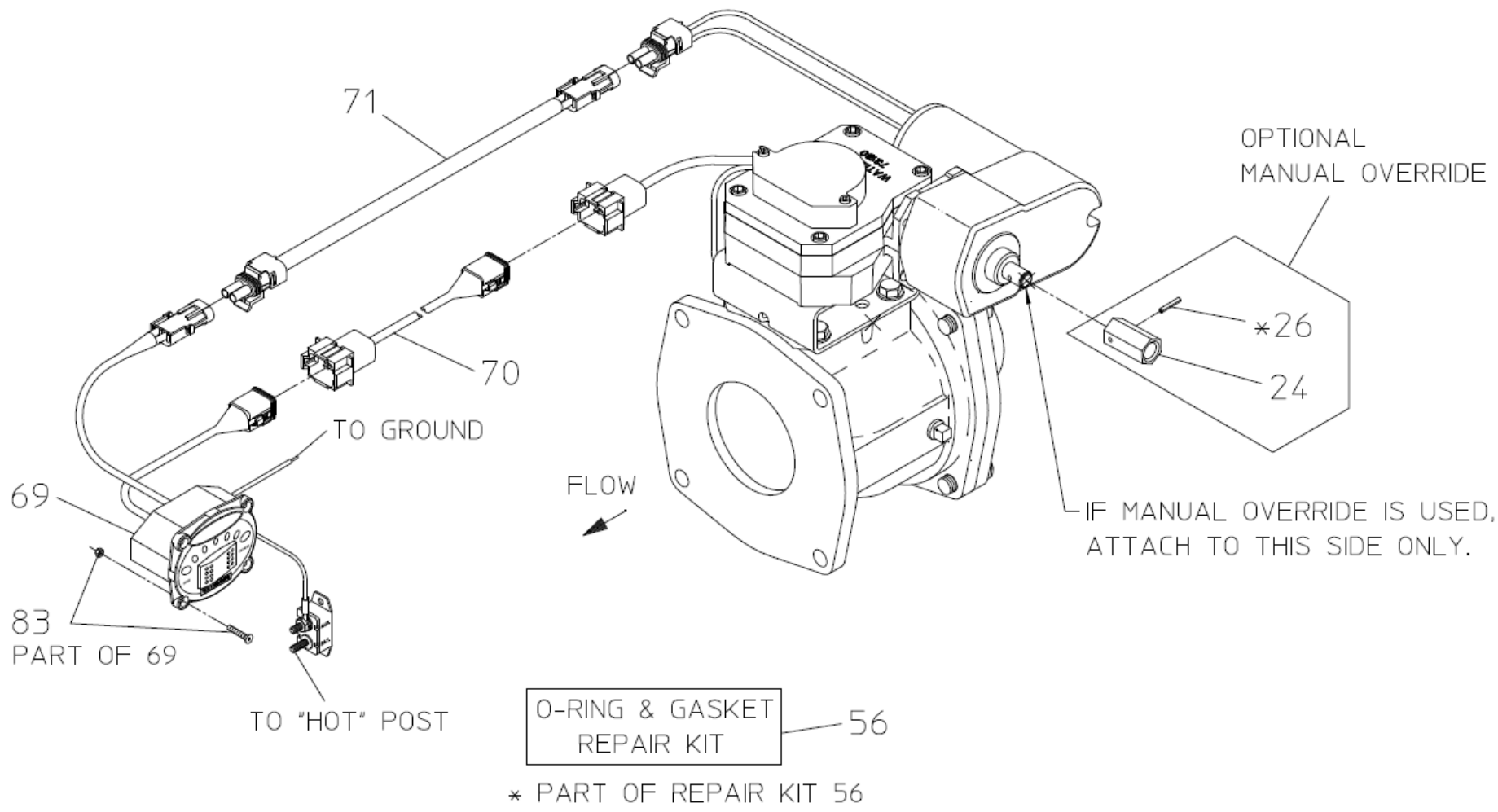
- O-RING & GASKET REPAIR KIT 56
- * PART OF REPAIR KIT 56
- MOTOR REPLACEMENT KIT 57

ELECTRIC ROTARY ACTUATOR

Cable and Panel Components

REF NO.	DESCRIPTION
24	Adapter Nut
26	Spirol Pin, 1/8 x 3/4 in.
56	O-ring and Gasket Repair Kit
69	LED Panel Wiring Assembly
70	Switch Extension Wire Assembly
71	Motor Extension Wire Assembly

REF NO.	DESCRIPTION
83	Control Panel Mounting Hardware (Includes (4) Socket Hd Screws, #6-32 x 3/4 and (4) Nylok Nuts, #6-32)



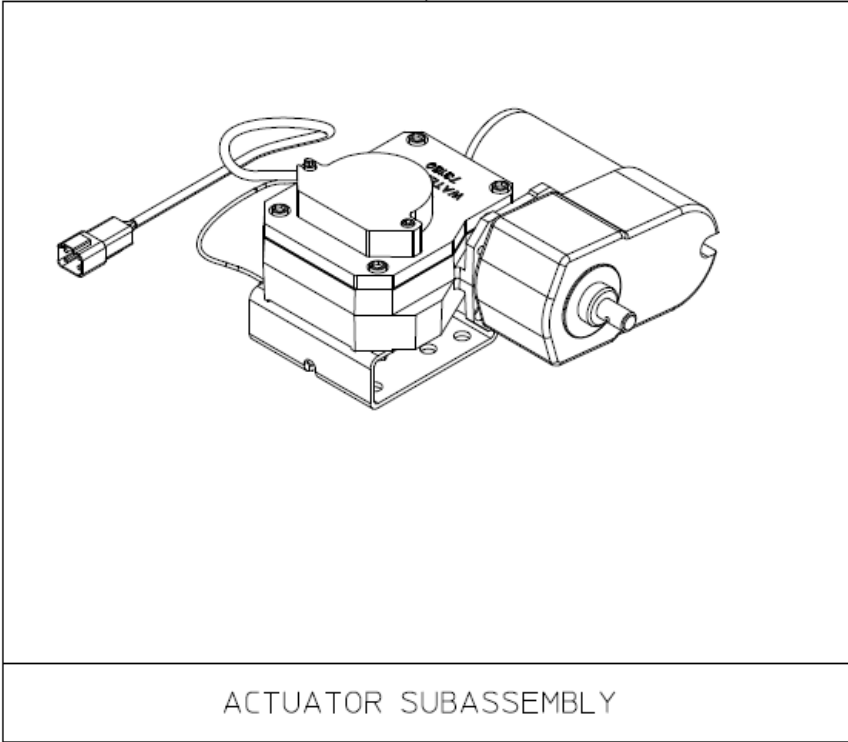
CABLES AND PANEL COMPONENTS

Available Repair Subassemblies

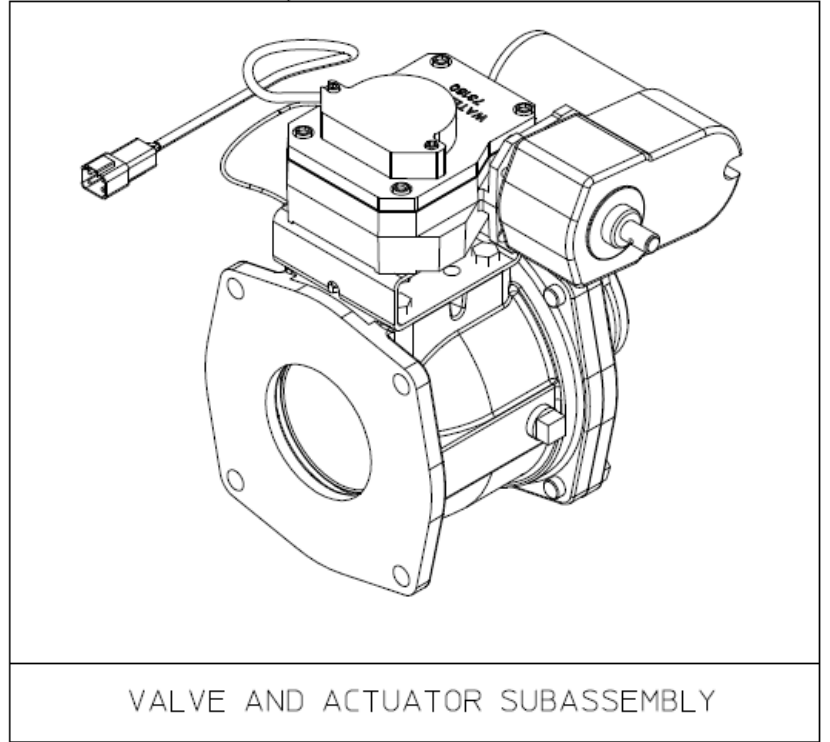
REF NO.	DESCRIPTION
84	Actuator Subassembly

REF NO.	DESCRIPTION
85	Valve and Actuator Subassembly

84



85



AVAILABLE REPAIR SUBASSEMBLIES