



Document Number <b>SPL83629</b>	Issue Date <b>9/1/16</b>	Rev. Date <b>5/16/17</b>
------------------------------------	-----------------------------	-----------------------------

# Tank to Pump Valve with Manual Indicating Rotary Actuator

## Service Parts List

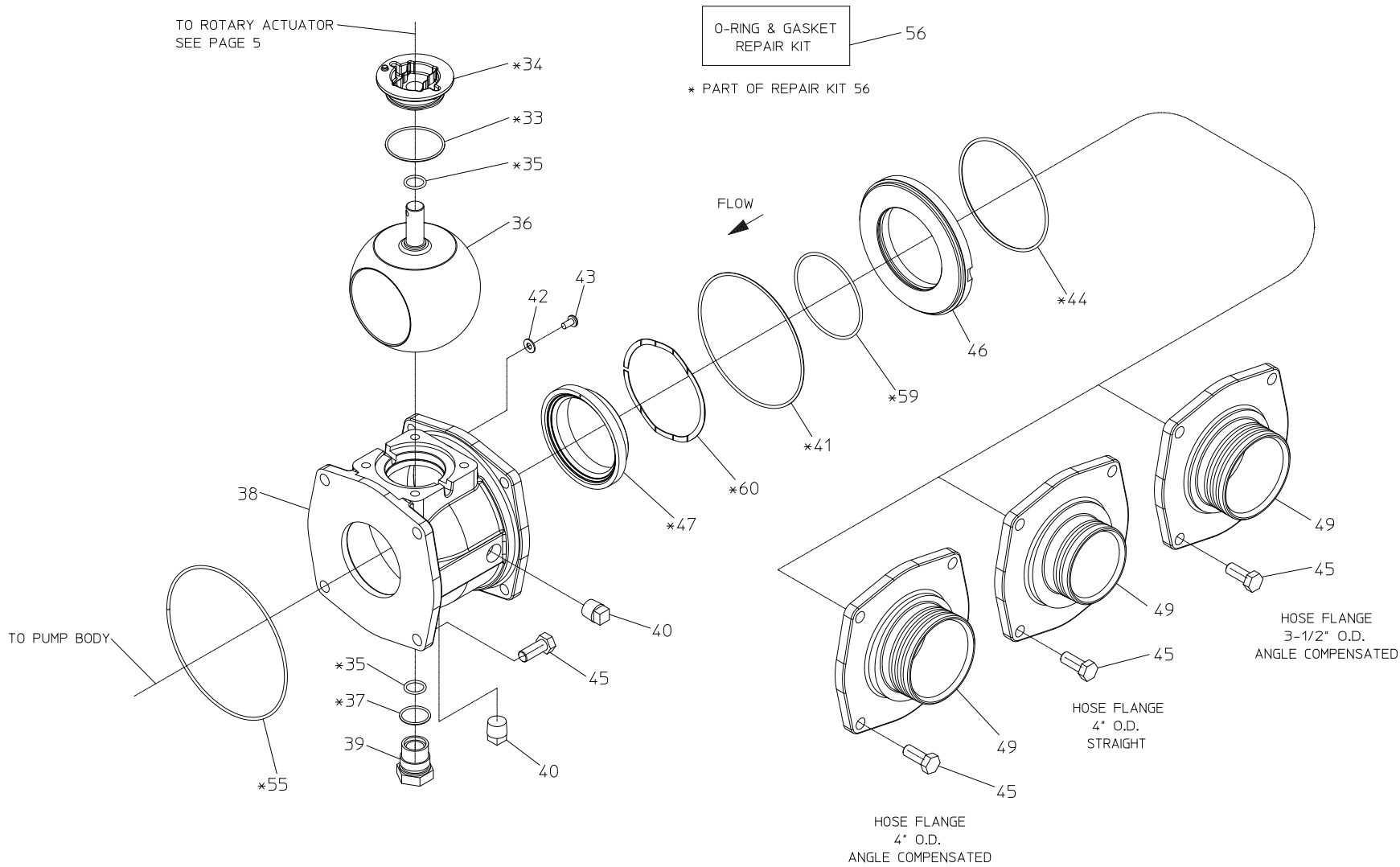
Index:

<b>Components</b>	<b>See Page</b>
Tank to Pump Valve	2, 3
Manual Indicating Rotary Actuator	4, 5
Cables and Panel Components	6, 7
Available Repair Subassemblies	8, 9

## Tank to Pump Valve

REF NO.	DESCRIPTION
33	O-ring, 2-5/16 x 2-1/2 in.
34	Upper Bushing
35	O-ring, 3/4 x 15/16 in.
36	Ball Valve
37	O-ring, 1-1/8 x 1-5/16 in.
38	Valve Body
39	Pivot Plug
40	Pipe Plug, 1/2 in.
41	O-ring, 6 x 6-1/4 in.
42	Flat Washer, 1/4 in.

REF NO.	DESCRIPTION
43	Pan Hd Screw, 1/4-20 x 1/2 in.
44	O-ring, 5 x 5-1/4 in.
45	Hex Hd Screw, 1/2-13 x 1-1/4 in.
46	Seal Retainer
47	Seal
49	Hose Nipple
59	O-ring, 3-3/4 x 4 in.
60	Wave Spring
55	O-ring, 6-3/4 x 7 in.
56	O-ring and Gasket Repair Kit



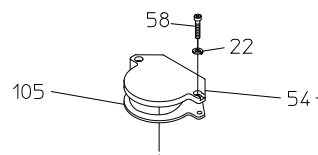
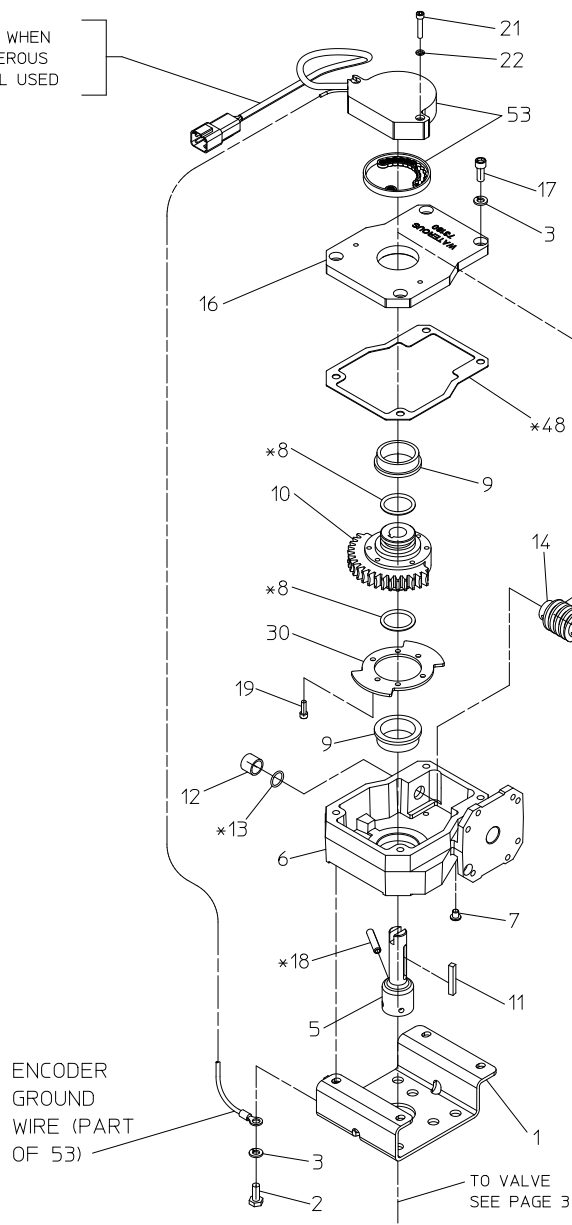
TANK TO PUMP VALVE

## Manual Indicating Rotary Actuator

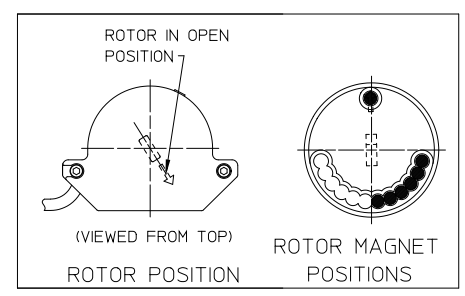
REF NO.	DESCRIPTION
1	Mounting Bracket
2	Hex Head Screw, 1/4-20 x 5/8 in.
3	Lock Washer, 1/4 in.
5	Extension Shaft
6	Worm Gear Housing Assembly (Includes Flanged Bearing 9, Sleeve Bearing 12 and O-ring 13)
7	Rubber Plug
8	O-ring, 1 x 1-1/4 in.
9	Flanged Bearing, 1-1/4 x 1-1/2 in.
10	Worm Gear Sector
11	Key, 3/16 x 1-1/4 in.
12	Sleeve Bearing, 1/2 x 5/8 in.
13	O-ring, 1/2 x 5/8 in.
14	Worm Gear
15	Spirol pin, 1/8 x 3/4 in.
16	Housing Cover Assembly (Includes Flanged Bearing 9)

REF NO.	DESCRIPTION
17	Socket Head Screw, 1/4-20 x 5/8 in.
18	Spring Pin, 1/4 x 1-1/8 in.
19	Socket Head Screw, 8-32 x 1/2 in.
21	Socket Head Screw, 8-32 x 7/8 in.
22	Lock Washer, #8
25	Gear Motor
30	Limit Disc
31	Hex Head Screw, 3/8-16 x 5/8 in.
32	Lock Washer, 3/8 in.
48	Actuator Gasket
53	Rotary Encoder
54	Encoder Profile Cover
56	O-ring and Gasket Repair Kit
58	Socket Head Screw, 8-32 x 3/8 in.
105	Encoder Gasket

CONFIGURATION WHEN  
OPTIONAL WATEROUS  
CONTROL PANEL USED



CONFIGURATION WHEN  
OPTIONAL WATEROUS  
CONTROL PANEL NOT USED



O-RING & GASKET  
REPAIR KIT 56  
\* PART OF REPAIR KIT 56

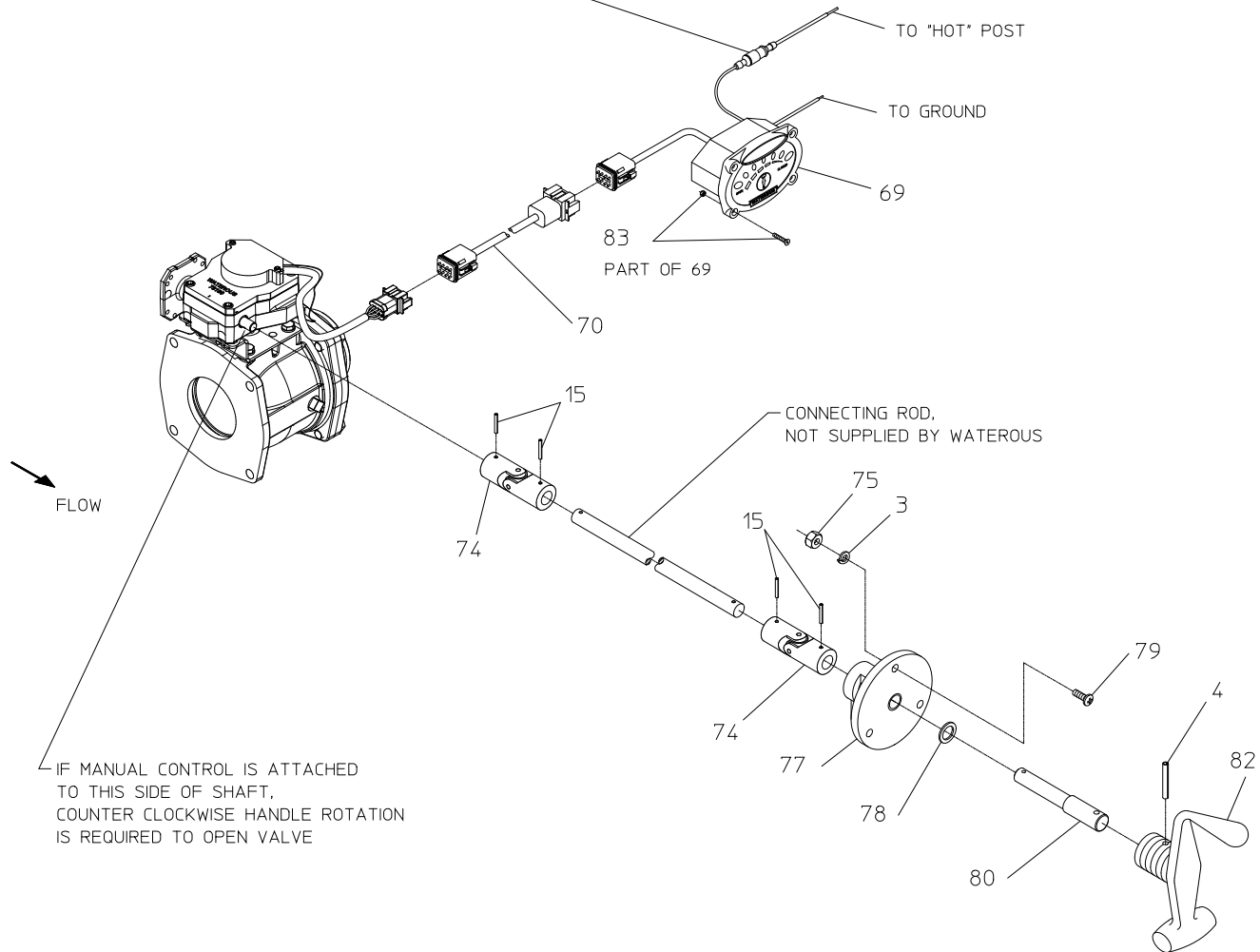
**ROTARY ACTUATOR**

## Cable and Panel Components

REF NO.	DESCRIPTION
3	Lock Washer, 1/4 in.
4	Spring Pin, 3/16 in.
15	Spirol Pin, 1/8 x 3/4 in.
69	LED Panel Wiring Assembly
70	Switch Extension Wire Assembly
74	U-Joint
75	Hex Nut, 1/4-20
77	Remote Body

REF NO.	DESCRIPTION
78	Thrust Bearing, 1/2 in.
79	Pan Head Screw, 1/4-2- x 1 in.
80	Remote Shaft
82	Discharge Valve Handle
83	Control Panel Mounting Hardware (Includes (4) Socket Hd Screws, #6-32 x 3/4 and (4) Nylok Nuts, #6-32)

CONTROL PANEL POWER WIRE  
 FURNISHED TWO WAYS:  
 - WITH 3 AMP IN-LINE FUSE  
 - WITHOUT 3 AMP IN-LINE FUSE  
 (PANEL 69 HAS A INTERNAL CIRCUIT  
 BREAKER WHICH RE-SETS  
 AUTOMATICALLY)



**CABLES AND PANEL COMPONENTS**

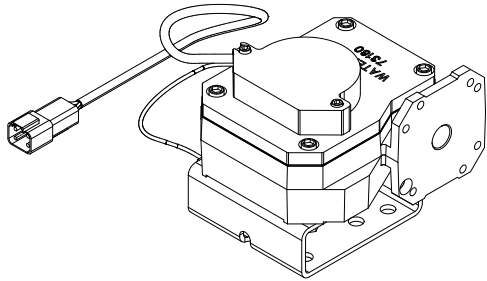
### Available Repair Subassemblies

REF NO.	DESCRIPTION
84	Actuator Subassembly

REF NO.	DESCRIPTION
85	Valve and Actuator Subassembly

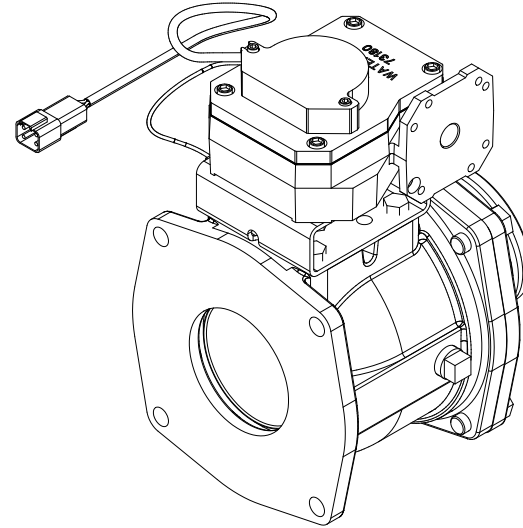


84



ACTUATOR SUBASSEMBLY

85



VALVE AND ACTUATOR SUBASSEMBLY

AVAILABLE REPAIR SUBASSEMBLIES