



Document Number	Issue Date	Rev. Date
SPL82551	03/28/01	7/19/16

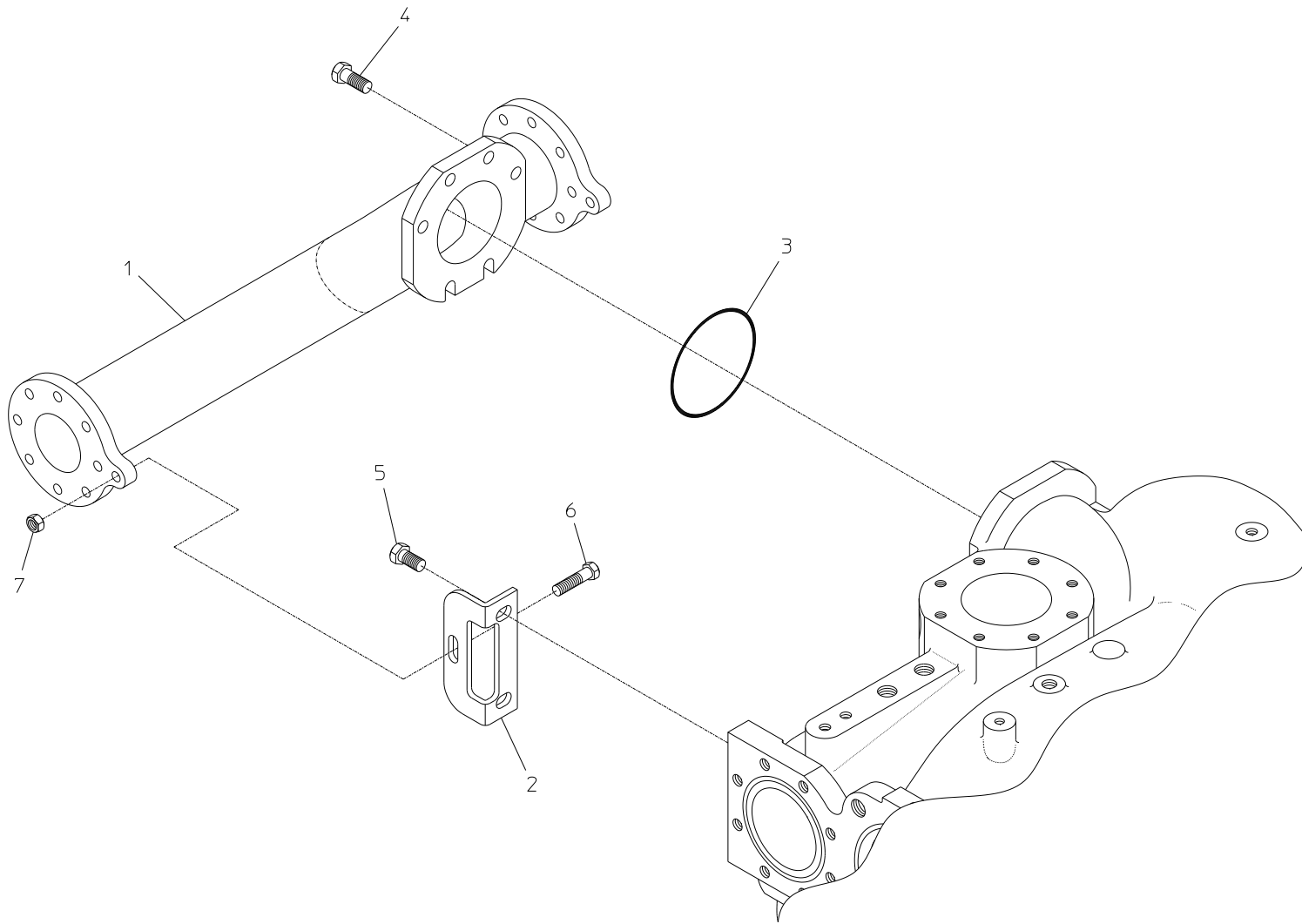
Front Discharge Manifold Assembly Service Parts List

Description	See Pages
After December 2, 2013	2, 3
Prior to December 2, 2013	4, 5

Front Discharge Manifold (After December 2, 2013)

REF. NO.	DESCRIPTION
1	Front Discharge Manifold
2	Mounting Bracket
3	O-ring, 4-3/8 x 4-5/8 in.
4	Hex Hd Screw, 1/2-13 x 1-1/4

REF. NO.	DESCRIPTION
5	Hex Hd Screw, 1/2-13 x 3/4 in.
6	Hex Hd Screw, 7/16-20 x 1-1/2 in.
7	Hex Nut, 7/16-20



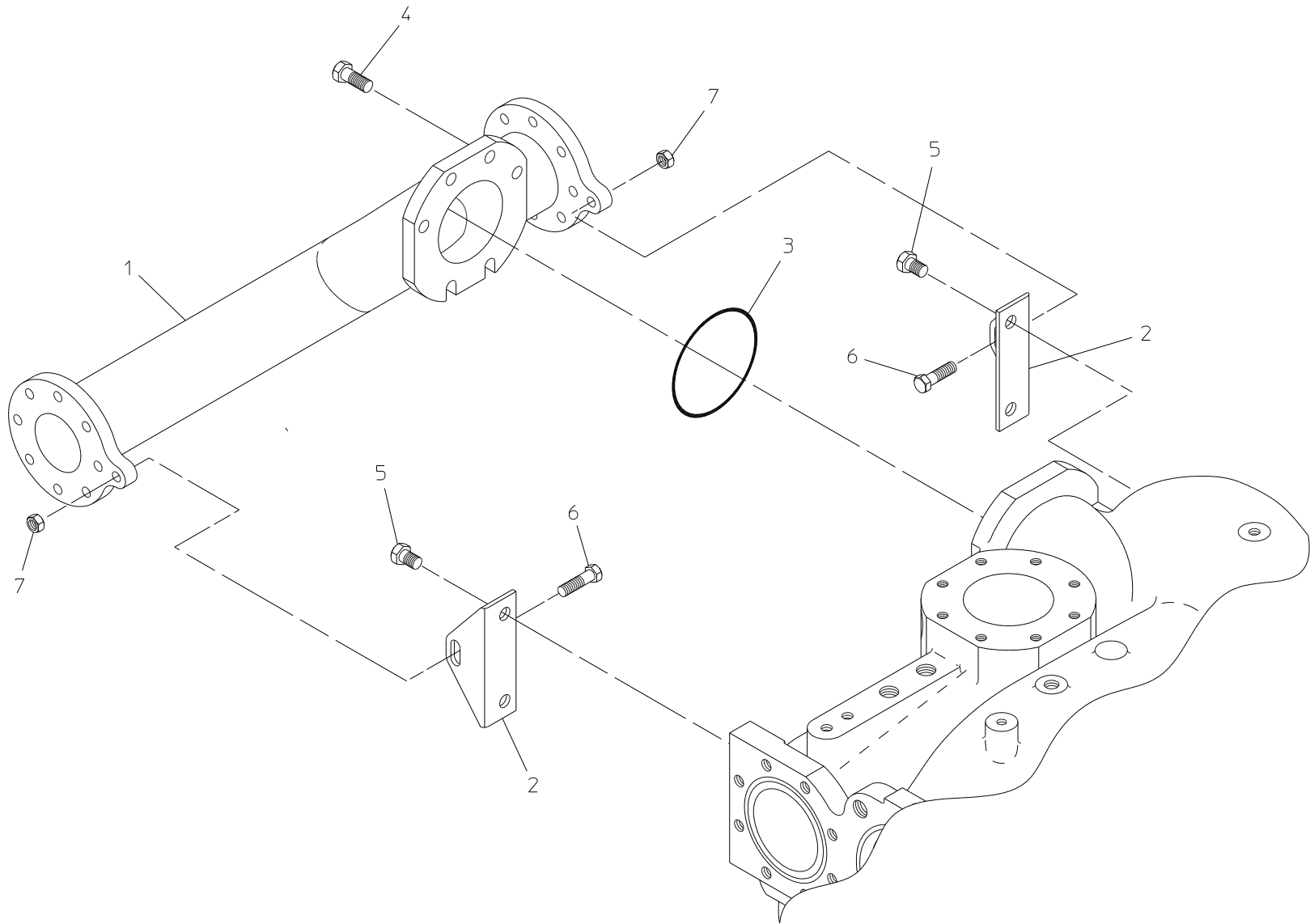
FRONT DISCHARGE MANIFOLD ASSY

NON ANGLE COMPENSATED CM BODY ASSY SHOWN
(AFTER DECEMBER 2, 2013)

Front Discharge Manifold (Prior to December 2, 2013)

REF. NO.	DESCRIPTION
1	Front Discharge Manifold
2	Mounting Bracket
3	O-ring, 4-3/8 x 4-5/8 in.
4	Hex Hd Screw, 1/2-13 x 1-1/4

REF. NO.	DESCRIPTION
5	Hex Hd Screw, 1/2-13 x 3/4 in.
6	Hex Hd Screw, 7/16-20 x 1-1/2 in.
7	Hex Nut, 7/16-20



FRONT DISCHARGE MANIFOLD ASSY

NON ANGLE COMPENSATED CM BODY ASSY SHOWN
(PRIOR TO DECEMBER 2, 2013)