

Issued: 04/71
Revised: 01/22/03

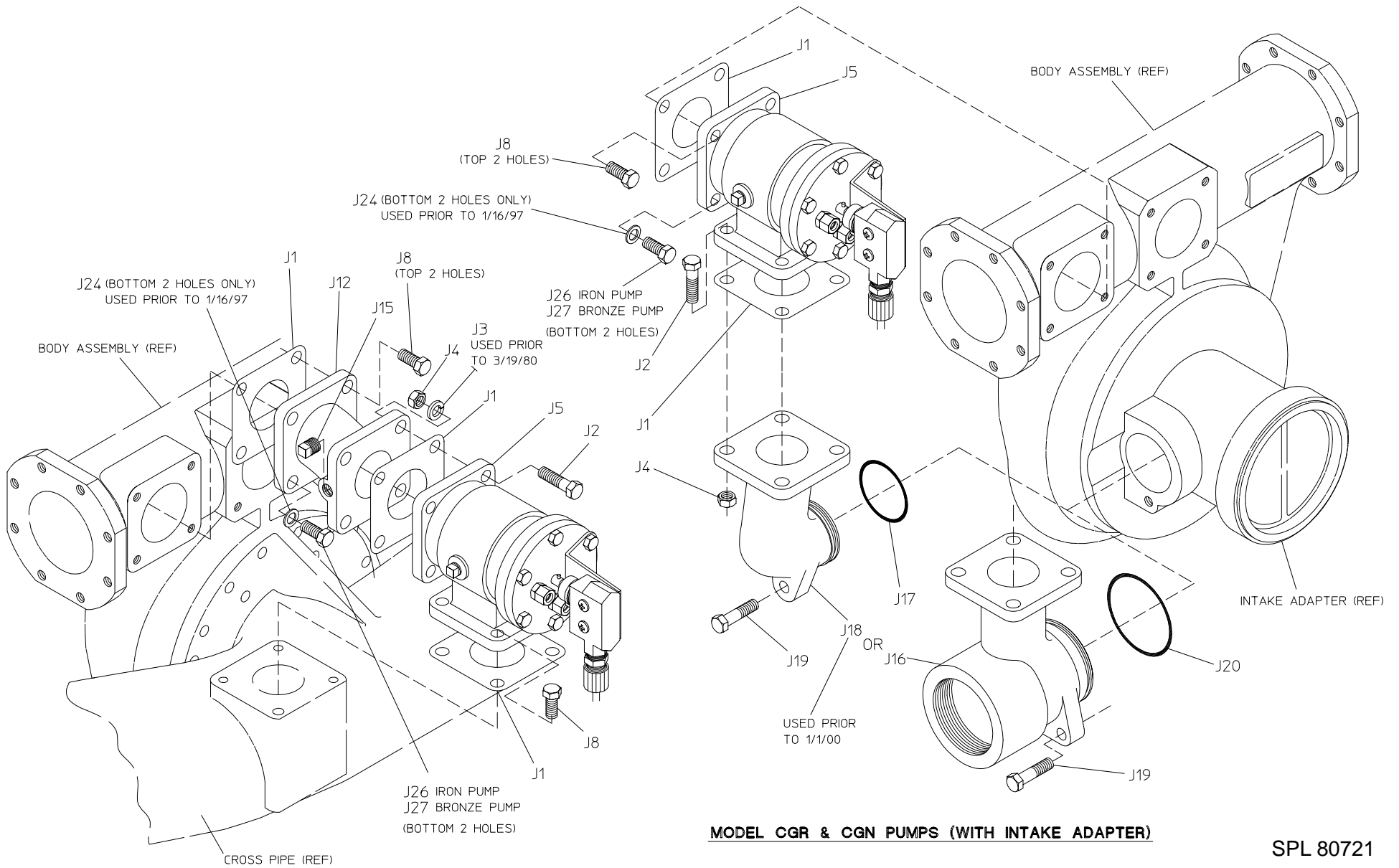
W A T E R O U S

WATEROUS COMPANY
SOUTH ST. PAUL, MINNESOTA

RELIEF VALVE AND PIPING ASSEMBLY

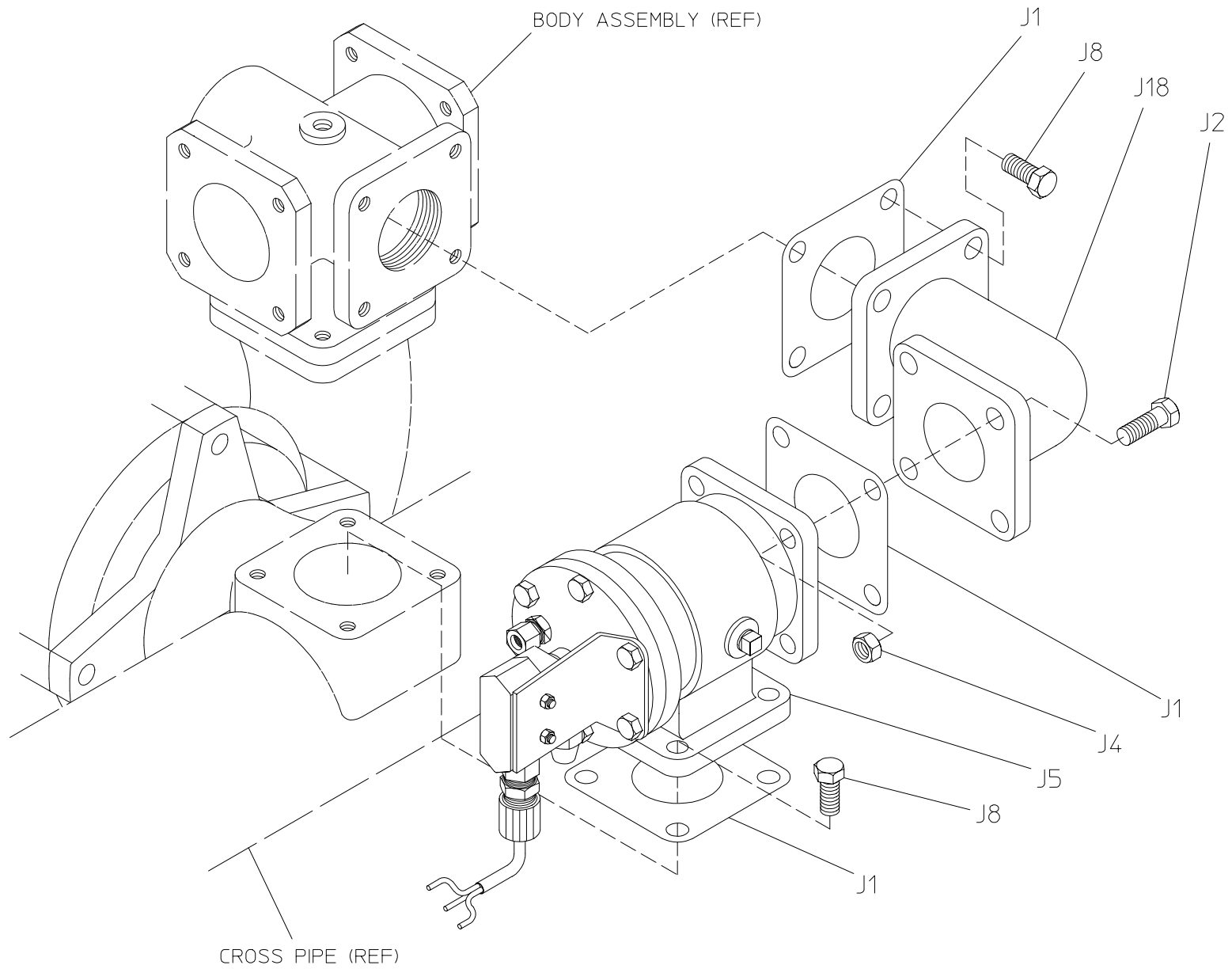
REF NO.	DESCRIPTION	REF NO.	DESCRIPTION
J1	Mounting gasket	J17	O-ring, 2-3/8 x 2-5/8 in.
J2	Hex head bolt, 7/16-20 x 1-1/2 in.	J18	Relief valve elbow
J3	Lock washer, 7/16 (prior to 3/19/80)	J19	Cap screw, self-locking (Nylock®), 7/16-14 x 1-3/4 in.
J4	Hex nut, 7/16-20	J20	O-ring, 3-1/4 x 3-1/2 in.
J5	Relief valve assembly, indicating or non-indicating (see separate parts list for component parts)	J22	Extension
J8	Cap screw, 7/16-14 x 1 in., grade 5	J24	Copper washer, 7/16 in. (prior to 1/16/97)
J12	Adapter	J25	Elbow
J15	Square head pipe plug, 1/4 in., bronze or steel	J26	Hex screw with thread sealant, 7/16-14 x 1-1/4 in.
J16	Relief valve tee	J27	Hex screw, 7/16-14 x 1 in.

PLEASE NOTE
WHEN ORDERING PARTS PLEASE SUPPLY PUMP SERIAL NUMBER

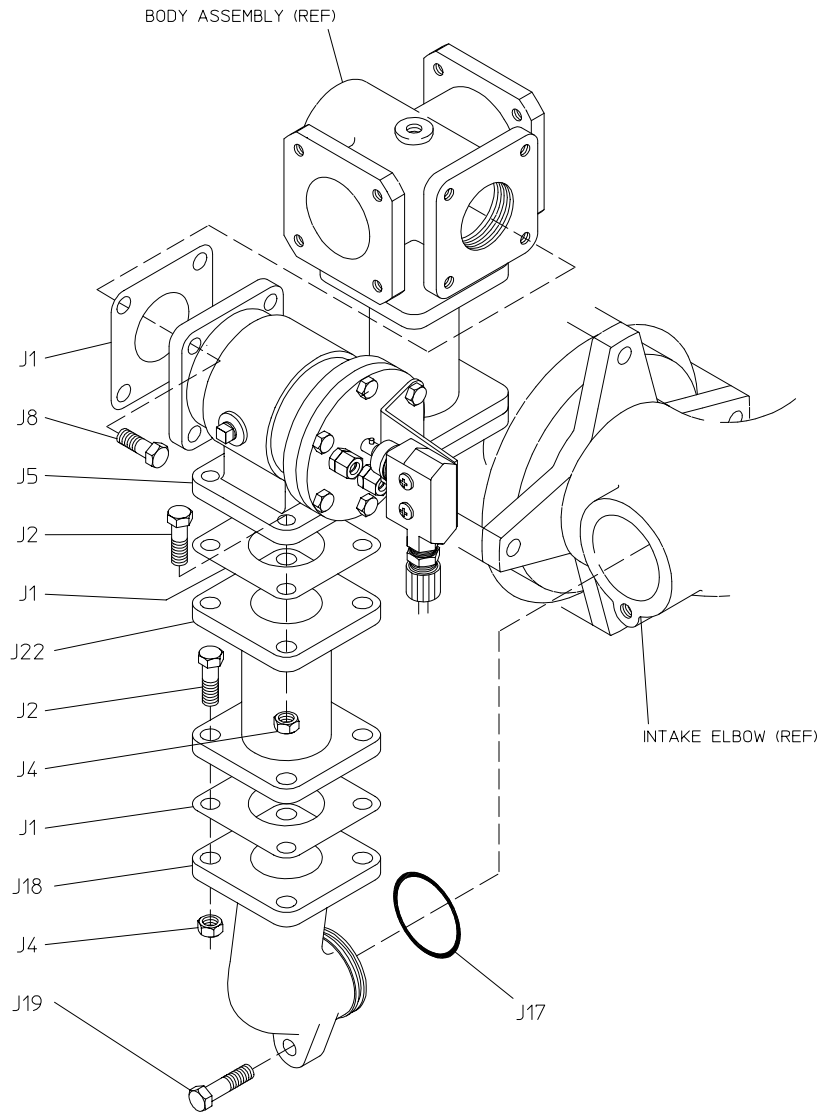


MODEL CGG PUMP

MODEL CGR & CGN PUMPS (WITH INTAKE ADAPTER)

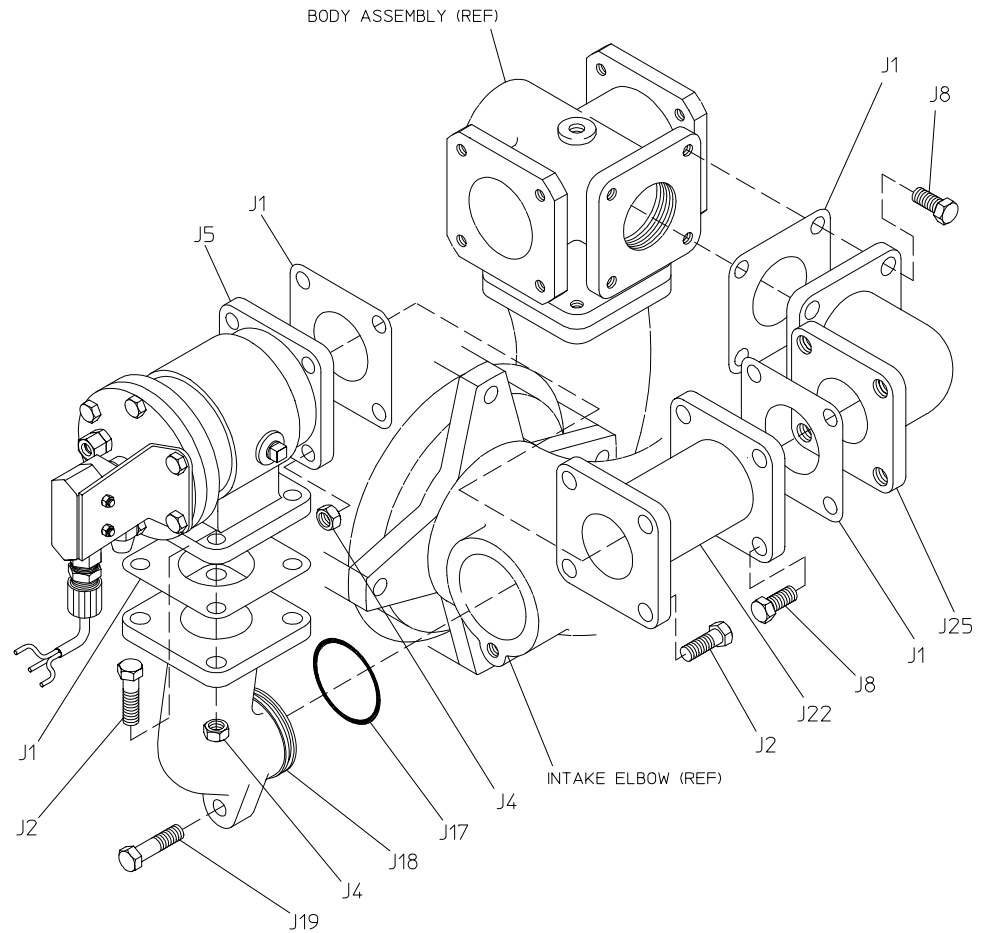


MODEL CLS PUMP (WITH CROSSPIPE, NORMAL DROP)



MODEL CLS PUMP (WITH CROSSPIPE AND ONE INTAKE ELBOW, LONG DROP)

(PRIOR TO 9-1-80)



MODEL CLS PUMP (WITH CROSSPIPE AND ONE INTAKE ELBOW, LONG DROP)

(AFTER 9-1-80)