



Document Number	Issue Date	Rev. Date
SPL 82256	08/05/96	09/08/11

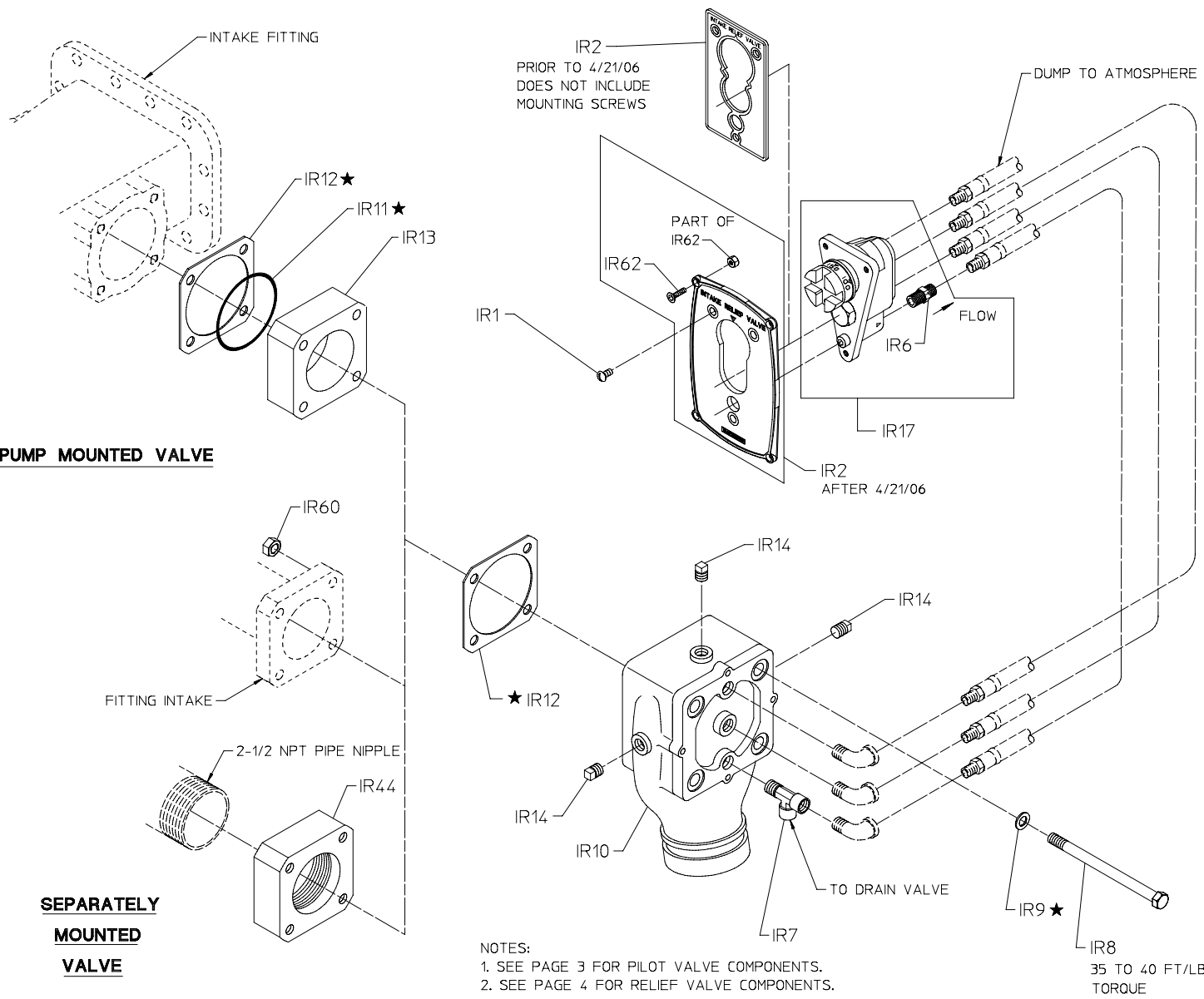
Intake Relief Valve Assembly

Component	See Page
Pump Mounted Valve	2, 3
Separately Mounted Valve	2, 3
Pilot Valve Assembly Components	4, 5
Relief Valve Assembly Components	6, 7

Pump Mounted, Separately Mounted Valves

REF. NO.	DESCRIPTION
IR1	Round Hd Screw, 1/4-20 x 1-1/4 in.
IR2	Panel Plate or Control Panel Assembly
IR6	Check Valve, 1/4 in.
IR7	Street Tee, 1/4 in.
IR8	Hex Hd Screw, 7/16-14 x 3-1/4, 4 or 5 in.
IR9	Copper Washer, 7/16 in.
IR10	Intake Relief Valve
IR11	O-ring
IR12	Extension Gasket

REF. NO.	DESCRIPTION
IR13	Extension
IR14	Pipe Plug, 1/4 in.
IR17	Pilot Valve Subassembly (Includes IR6 Check Valve)
IR42	Warning Panel Plate
IR44	Tapped Flange, 2-1/2 NPT
IR46	Relief Valve Repair Kit (Includes IR9, IR11, IR12, IR36, IR38, IR41, IR43, IR48 & IR49)
IR47	Pilot Valve Repair Kit (Includes IR15, IR16, IR18, IR19, IR29, IR31, IR32, IR34, IR50, IR51, IR52, IR54, IR57, IR59 & IR61)
IR60	Hex Nut, 7/16-14
IR62	Control Panel Mounting Hardware



PUMP MOUNTED VALVE

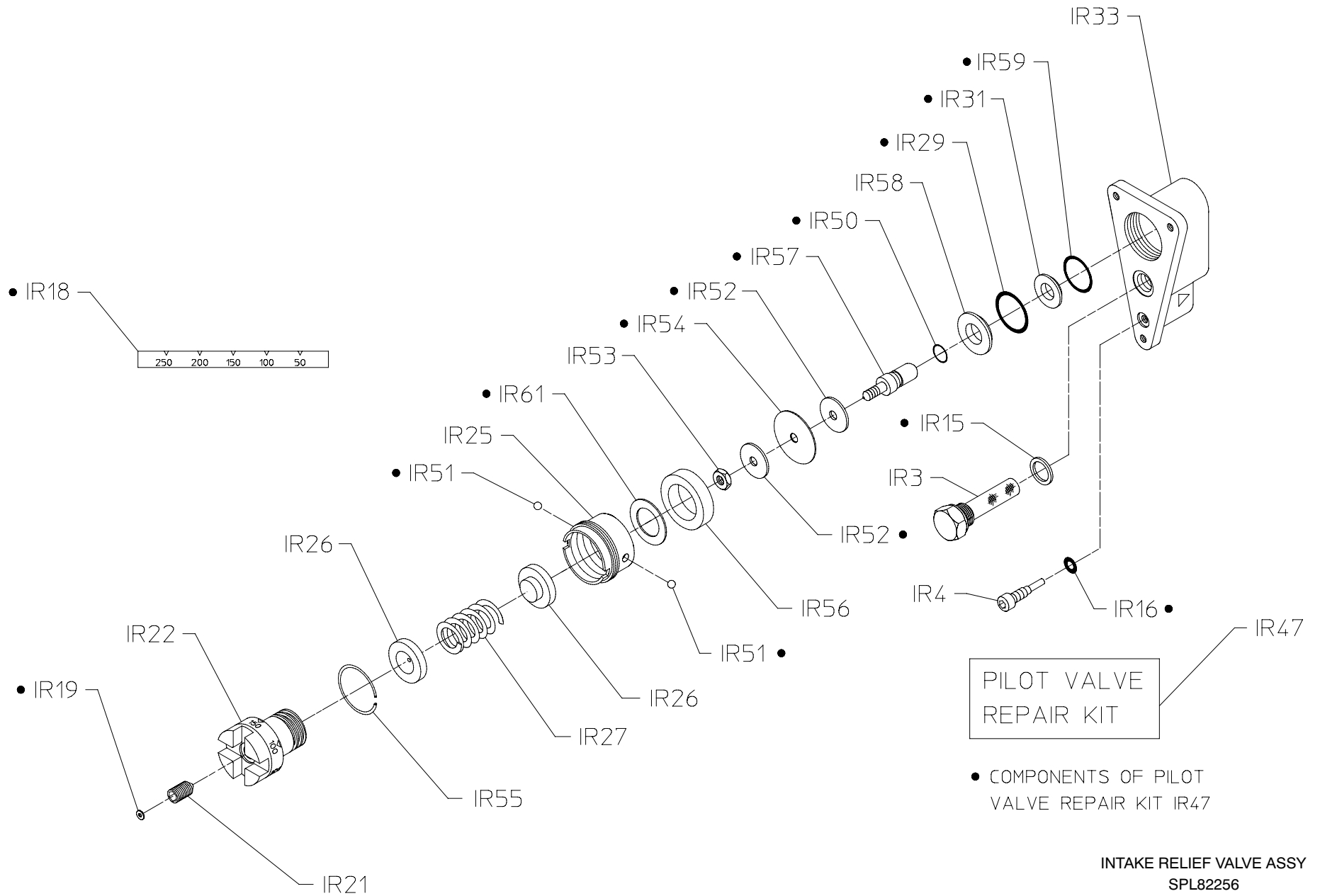
SEPARATELY MOUNTED VALVE

- NOTES:
1. SEE PAGE 3 FOR PILOT VALVE COMPONENTS.
2. SEE PAGE 4 FOR RELIEF VALVE COMPONENTS.

Pilot Valve Assembly Components

REF. NO.	DESCRIPTION
IR3	Strainer Insert
IR4	Throttle Screw
IR15	Strainer Gasket
IR16	O-ring
IR18	Setting Ring Scale
IR19	Tamper Resistant Plug
IR21	Adjusting Screw
IR22	Setting Screw
IR25	Thread Ring
IR26	Spring Plate
IR27	Pressure Spring
IR29	O-ring
IR31	Piston Seat

REF. NO.	DESCRIPTION
IR33	Piston Valve Body
IR47	Pilot Valve Repair Kit (Includes IR15, IR16, IR18, IR19, IR29, IR31, IR32, IR34, IR50, IR51, IR52, IR54, IR57, IR59 & IR61)
IR50	O-ring
IR51	Ball
IR52	Clamp Disc
IR53	Hex Nut
IR54	Diaphragm
IR55	Circlip
IR56	Pressure Disc
IR57	Control Piston
IR58	Guide Ring
IR59	O-ring
IR61	Piston Stop Disc



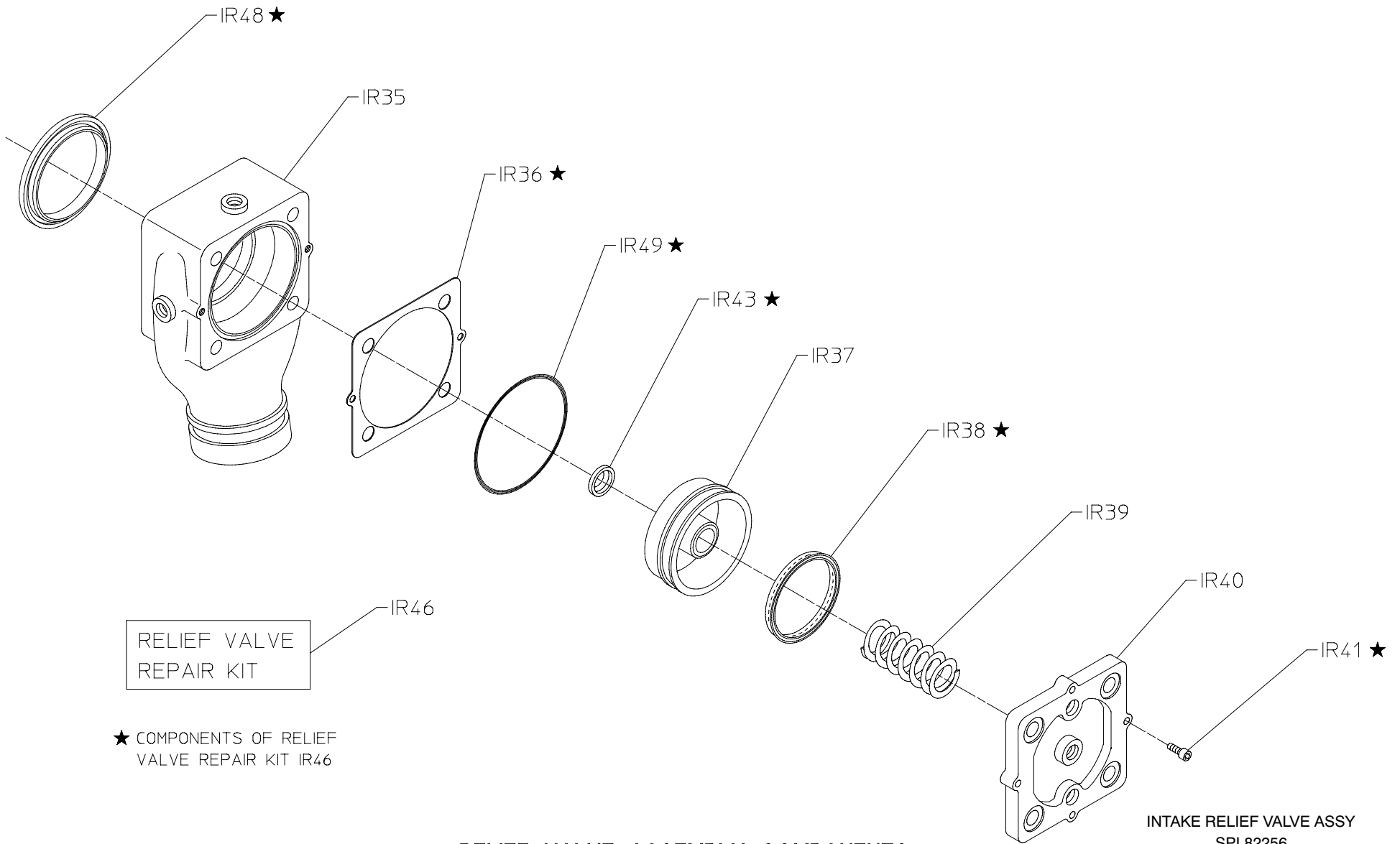
PILOT VALVE ASSEMBLY COMPONENTS

INTAKE RELIEF VALVE ASSY
 SPL82256
 WATEROUS COMPANY
 SOUTH ST. PAUL, MN 55075
 PAGE 5 OF 7

Relief Valve Assembly Components

REF. NO.	DESCRIPTION
IR35	Body
IR36	Cover Gasket
IR37	Piston
IR38	U-ring
IR39	Spring
IR40	Cover

REF. NO.	DESCRIPTION
IR41	Socket Hd Screw, 5mm x 16mm
IR43	X-ring
IR46	Relief Valve Repair Kit (Includes IR9, IR11, IR12, IR36, IR38, IR41, IR43, IR48 & IR49)
IR48	Gasket Seat
IR49	O-ring



RELIEF VALVE ASSEMBLY COMPONENTS

INTAKE RELIEF VALVE ASSY
 SPL82256
 WATEROUS COMPANY
 SOUTH ST. PAUL, MN 55075
 PAGE 7 OF 7