

Issued: 6/84
Revised: 11/11/05

W A T E R O U S

WATEROUS COMPANY
SOUTH ST. PAUL, MINNESOTA

ELECTRIC SHIFT

REF NO.	DESCRIPTION	REF NO.	DESCRIPTION
---------	-------------	---------	-------------

This Service Parts List Covers the Following:

Electric Shift with Actuator Switch for Indicator Lights	Page 1
Indicator Light Wiring with Switch, Lights and Panel Plates. (This part of assembly may or may not be furnished by Waterous.)	Page 2
Dual Electric Shift Units for Two Speed Gear Case.	Pages 3 & 4

PLEASE NOTE
WHEN ORDERING PARTS PLEASE SUPPLY PUMP SERIAL NUMBER

SPL81355
PAGE 1 OF 7

W A T E R O U S

WATEROUS COMPANY

SOUTH ST. PAUL, MINNESOTA

ELECTRIC SHIFT

REF NO.	DESCRIPTION	REF NO.	DESCRIPTION
F1	Wire Assembly	F72	Lock washer, 1/4 in.
F2	Wire Assembly	F75	Shift pivot cover
F3	Wire Assembly	F76	Gasket
F4	Panel plate	F78	O-ring
F5	Toggle switch	F93	Switch bracket
F6	Switch guard	F94	Push button switch
F7	Circuit breaker, 12 volt, 15 amp	F95	Switch seal
F13	Cable tie	F97	Wire assembly
F14	Shift unit, 12 volt or 24 volt	F98	Flasher terminal block
F19	Mounting bracket subassembly	F99	Flasher
F30	Lock washer, 7/16 in.	F100	Wire assembly
F40	Hex hd screw, 7/16-14 x 1 in.	F101	Wire assembly
F49	Motor and lube kit, 12 or 24 volt	F102	Green indicating light
F59	Shift override spring	F103	Red indicating light
F60	Cam	F104	Bulb (12 volt, #1891) or 24 volt, #313)
F61	Cam washer	F105	Panel plate
F62	Pivot plate	F106	Wire assembly
F63	Arm assembly	F107	Wire assembly
F64	Lever	F108	Cover plate
F65	Shift shaft	F109	Switch cover
F66	Socket hd screw, 1/4-20 x 5/8 in.	F110	Rubber grommet
F67	Cotter pin, 5/64 x 1/2 in.	F111	Hex mach nut, 1/4-20
F68	Dowel pin, 1/4 x 5/8 in.	F113	Rnd hd screw, 1/4-20 x 5/8 in.
F69	Clevis pin, 1/4 x 1-1/4	F114	Sleeve bearing
F70	Spirol pin, 1/4 x 1-1/4 in.	F115	Hex hd screw, 5/16-18 x 5/8 in.
F71	Socket hd screw, nylock, 1/4-20 x 1 in.	F116	Seal plate

PLEASE NOTE

WHEN ORDERING PARTS PLEASE SUPPLY PUMP SERIAL NUMBER

SPL81355

PAGE 2 OF 7

REV: 11/11/05

WATEROUS

WATEROUS COMPANY

SOUTH ST. PAUL, MINNESOTA

ELECTRIC SHIFT

REF NO.	DESCRIPTION	REF NO.	DESCRIPTION
F117	Hex mach nut, 10-24	F122	Wire assembly
F118	Motor and bracket subassembly	F123	Circuit and cover kit
F120	Wire assembly	F125	Sleeve bearing
F121	Wire assembly		

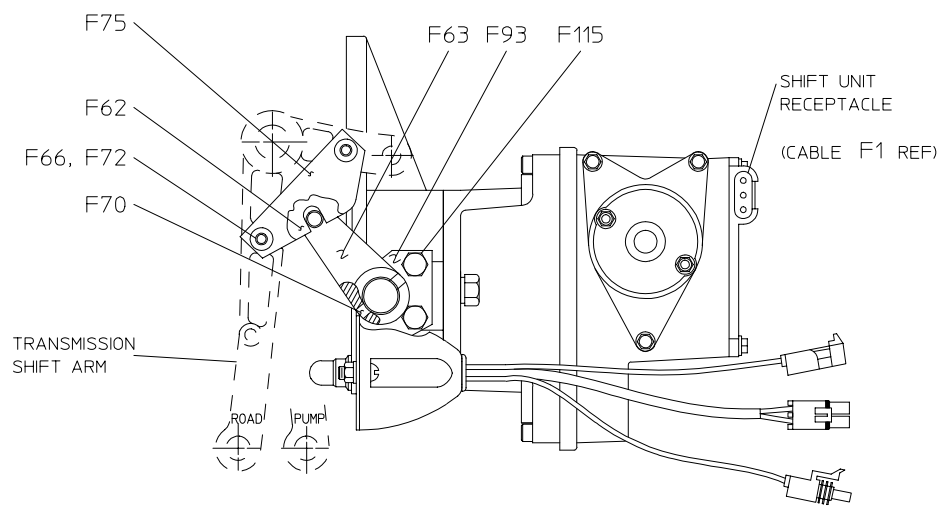
PLEASE NOTE

WHEN ORDERING PARTS PLEASE SUPPLY PUMP SERIAL NUMBER

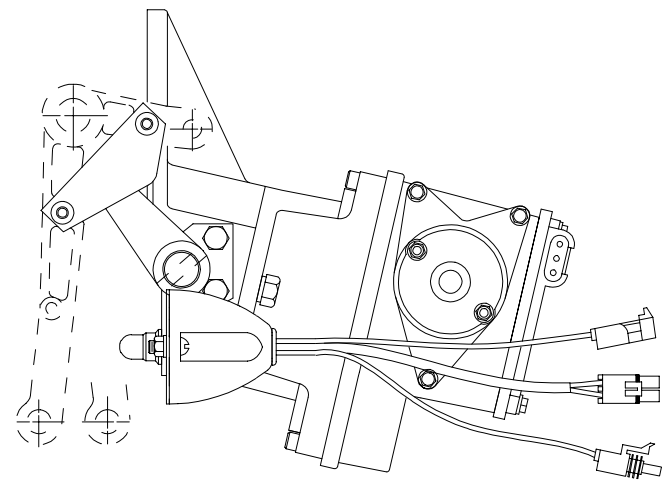
SPL81355

PAGE 3 OF 7

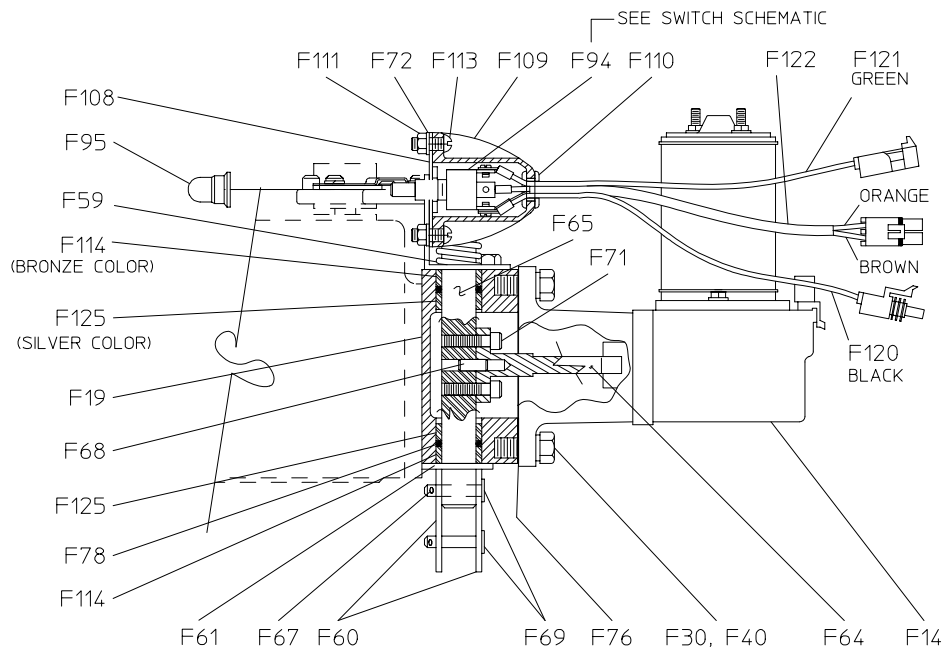
REV: 11/11/05



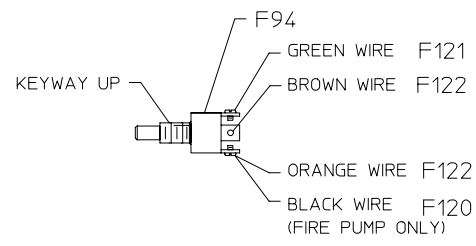
THIS MOUNTING ARRANGEMENT
USED WITH 9" OR NO BRAKE



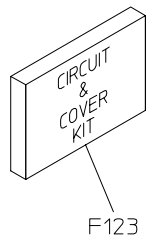
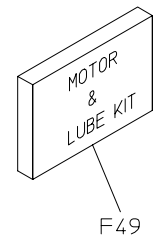
THIS MOUNTING ARRANGEMENT
USED WITH 12" BRAKE



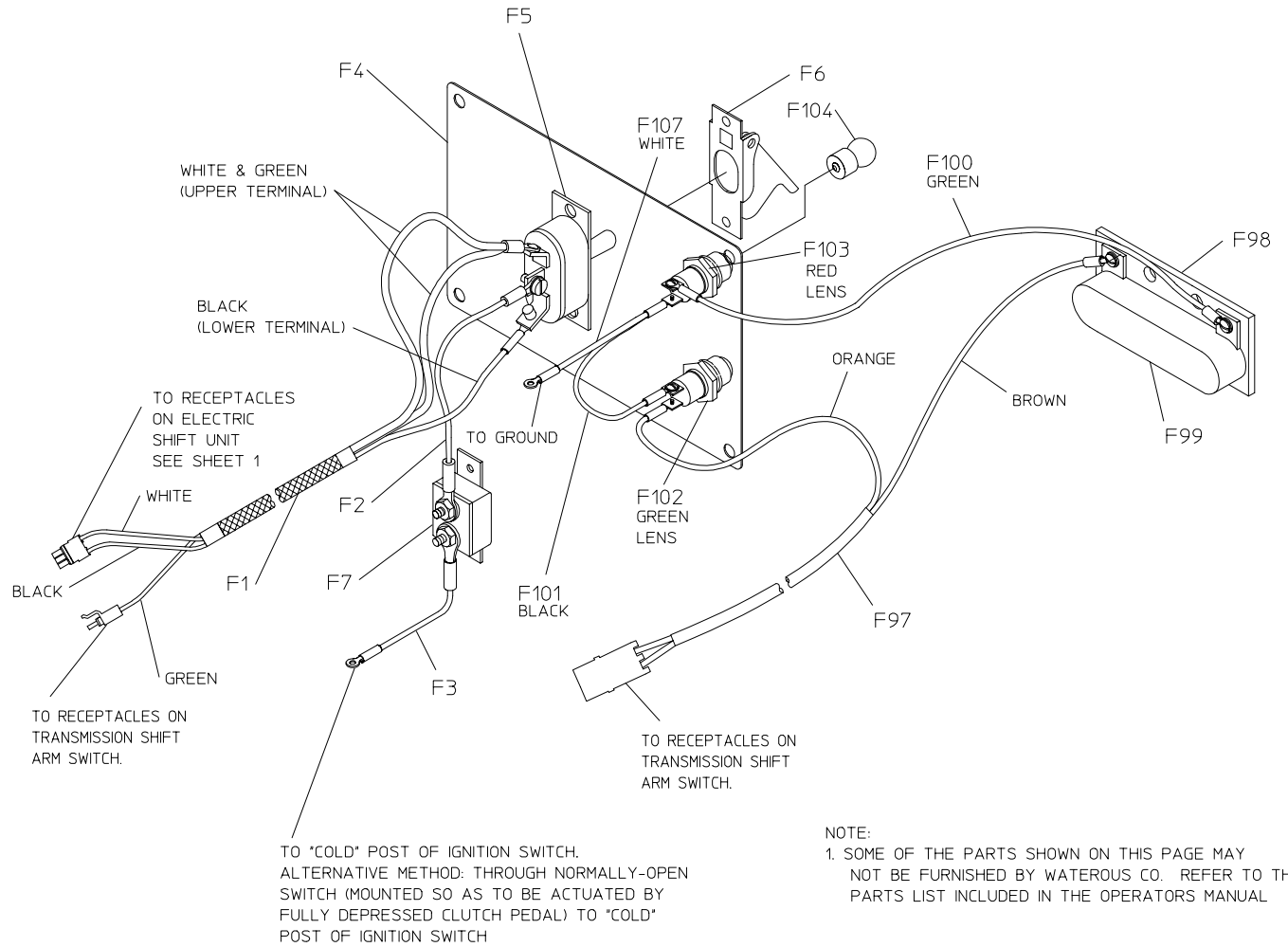
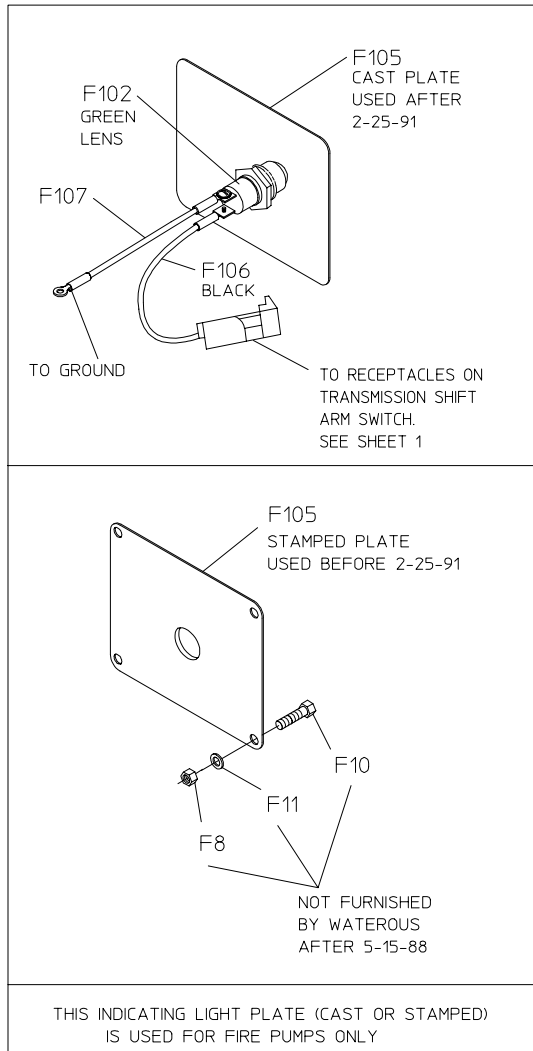
F118 MOTOR AND BRACKET ASSEMBLY
(LESS WIRING, SWITCHES, LIGHTS,
AND PANEL PLATES)



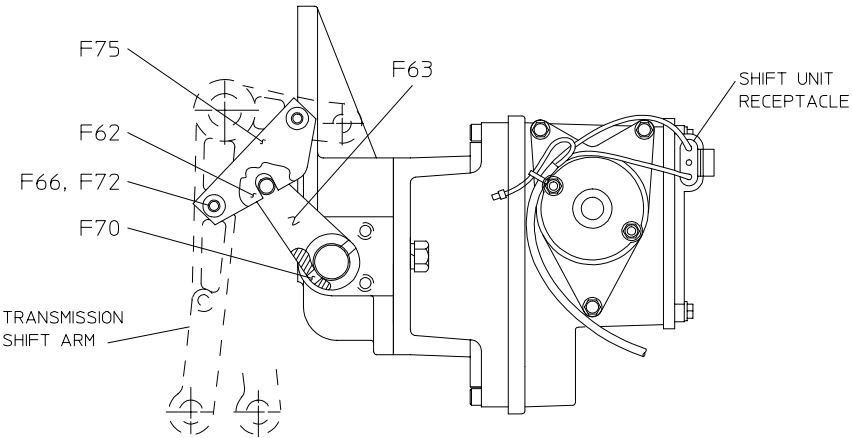
INDICATING LIGHT SWITCH SCHEMATIC



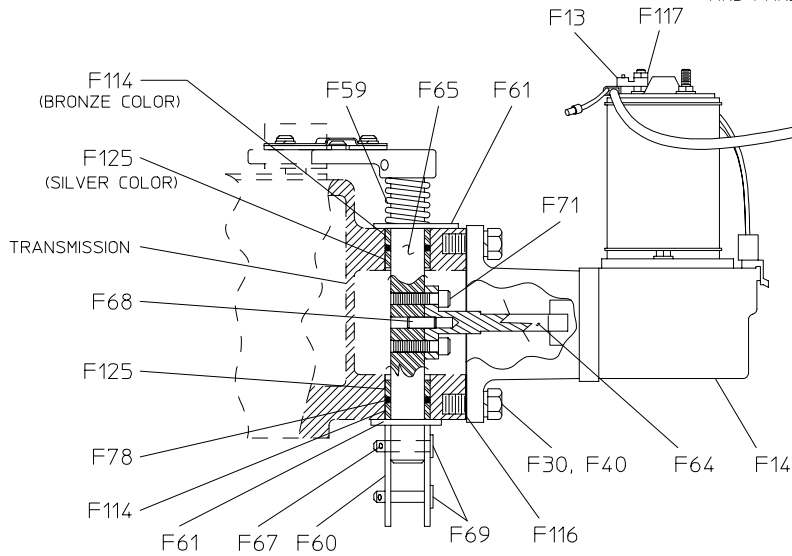
**ELECTRIC SHIFT WITH INDICATING LIGHTS
OR INDICATING LIGHT PROVISION
FIRE PUMP OR POWER TAKE-OFF**



**WIRING FOR ELECTRIC SHIFT WITH INDICATING LIGHTS
FIRE PUMP OR POWER TAKE-OFF**



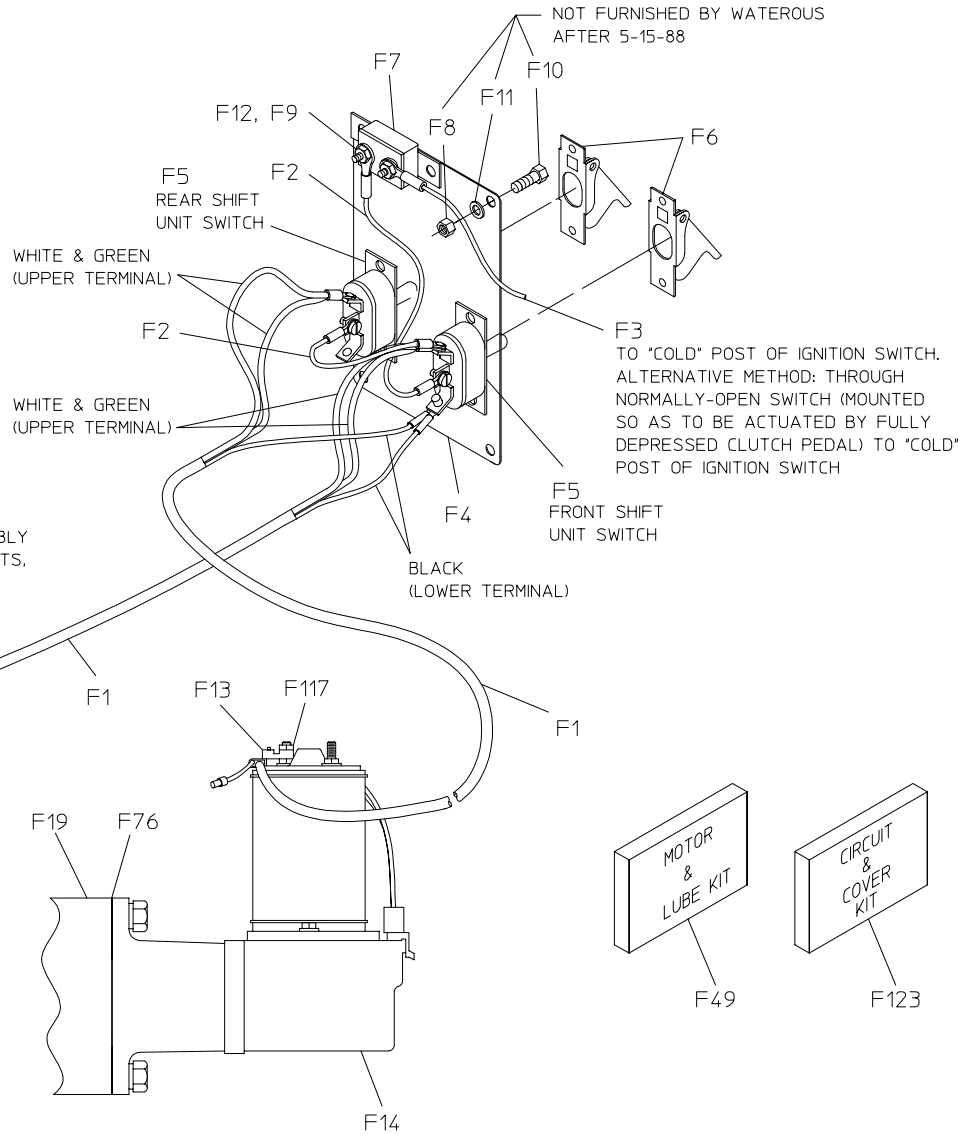
F118
MOTOR AND BRACKET ASSEMBLY
(LESS WIRING, SWITCHES,
AND PANEL PLATES)



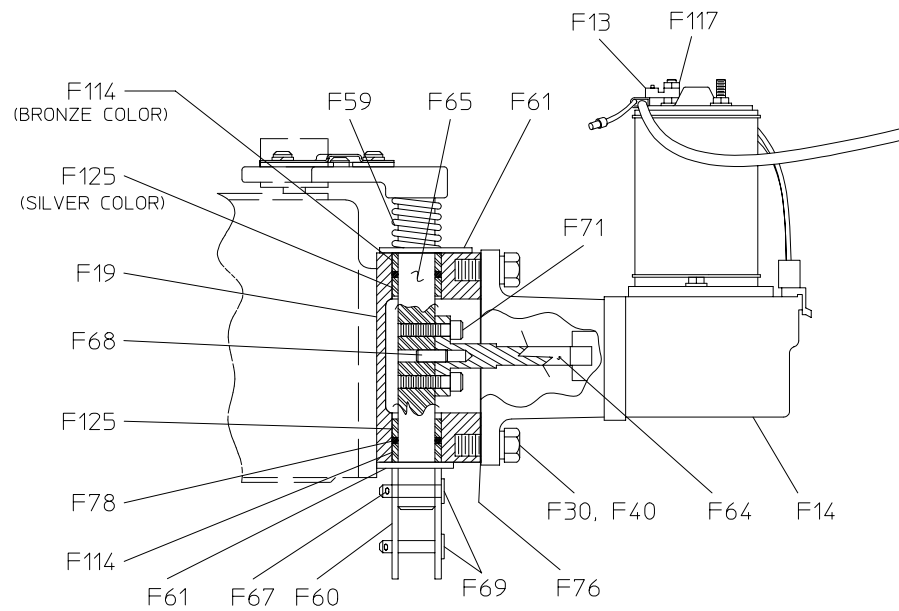
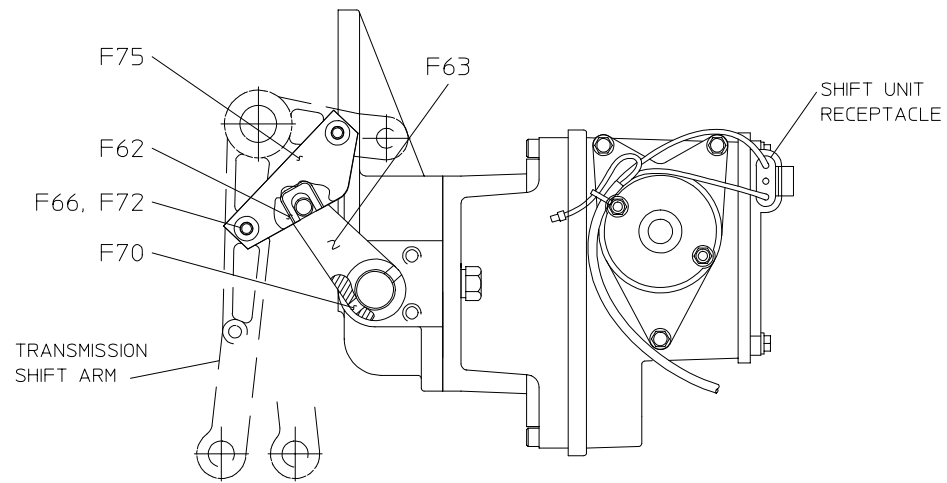
FRONT SHIFT UNIT
TRANSMISSION MOUNTED

APPLY SILICONE RUBBER SEALANT SUCH AS DOW CORNING #RTV-732 TO MOUNTING FACES OF THE TRANSMISSION AND SHIFT UNIT BEFORE INSTALLING THE SEAL PLATE F116 AND THE SHIFT UNIT F14

**DUAL ELECTRIC SHIFT
FIRE PUMP**



REAR SHIFT UNIT
BRACKET MOUNTED
SEE NEXT SHEET FOR DETAILS



REAR SHIFT UNIT
DUAL ELECTRIC SHIFT