

Issued: 2/7/92  
Revised: 11/02/07

# WATEROUS

WATEROUS COMPANY  
SOUTH ST. PAUL, MINNESOTA

## Pneumatic Shift

REF NO.	DESCRIPTION	REF NO.	DESCRIPTION
---------	-------------	---------	-------------

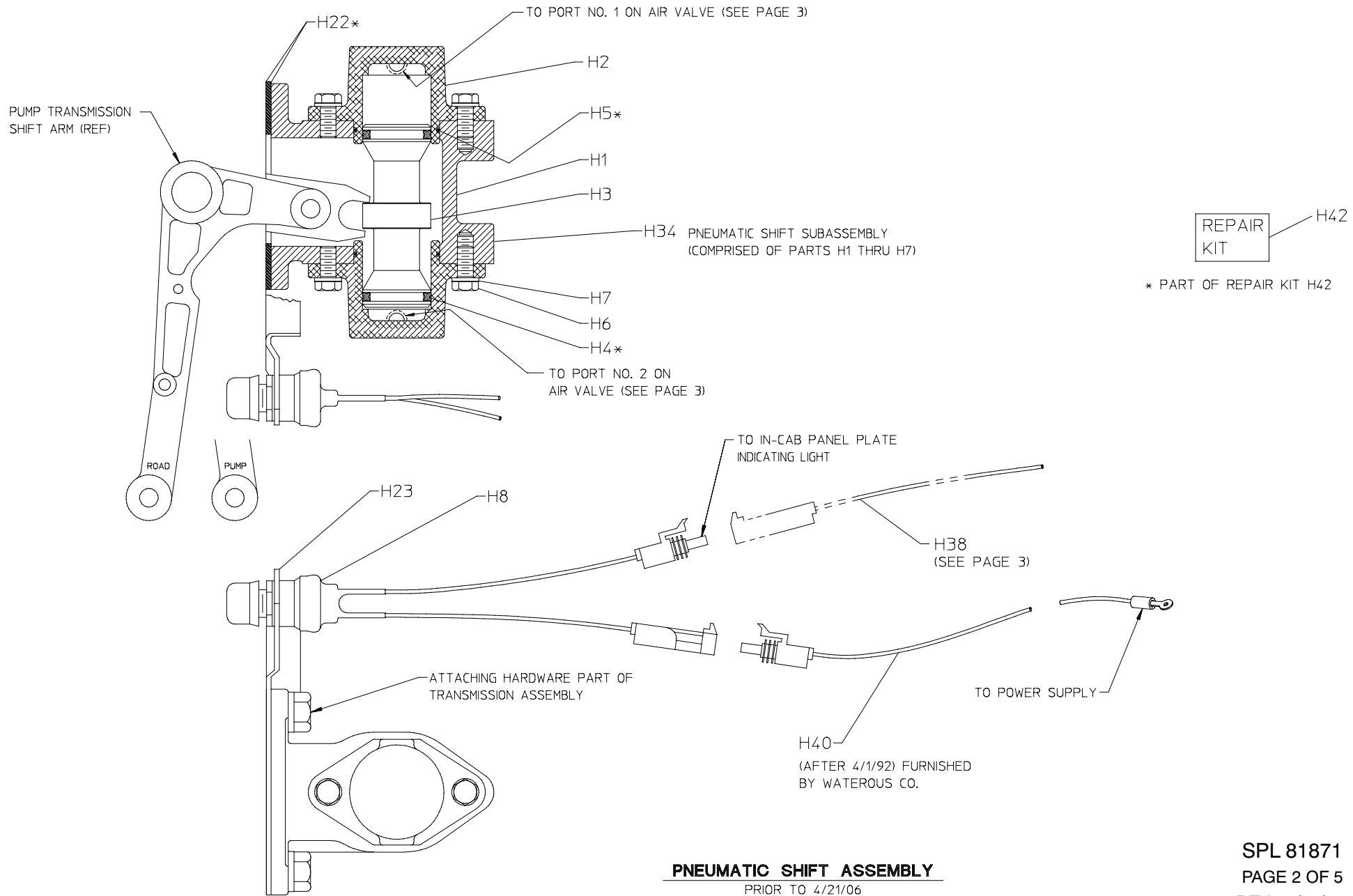
### Index:

Description	Prior to 4/21/06	After 4/21/06
Shift Unit on Transmission	2	4
In-Cab and Operator's Panels	3	5

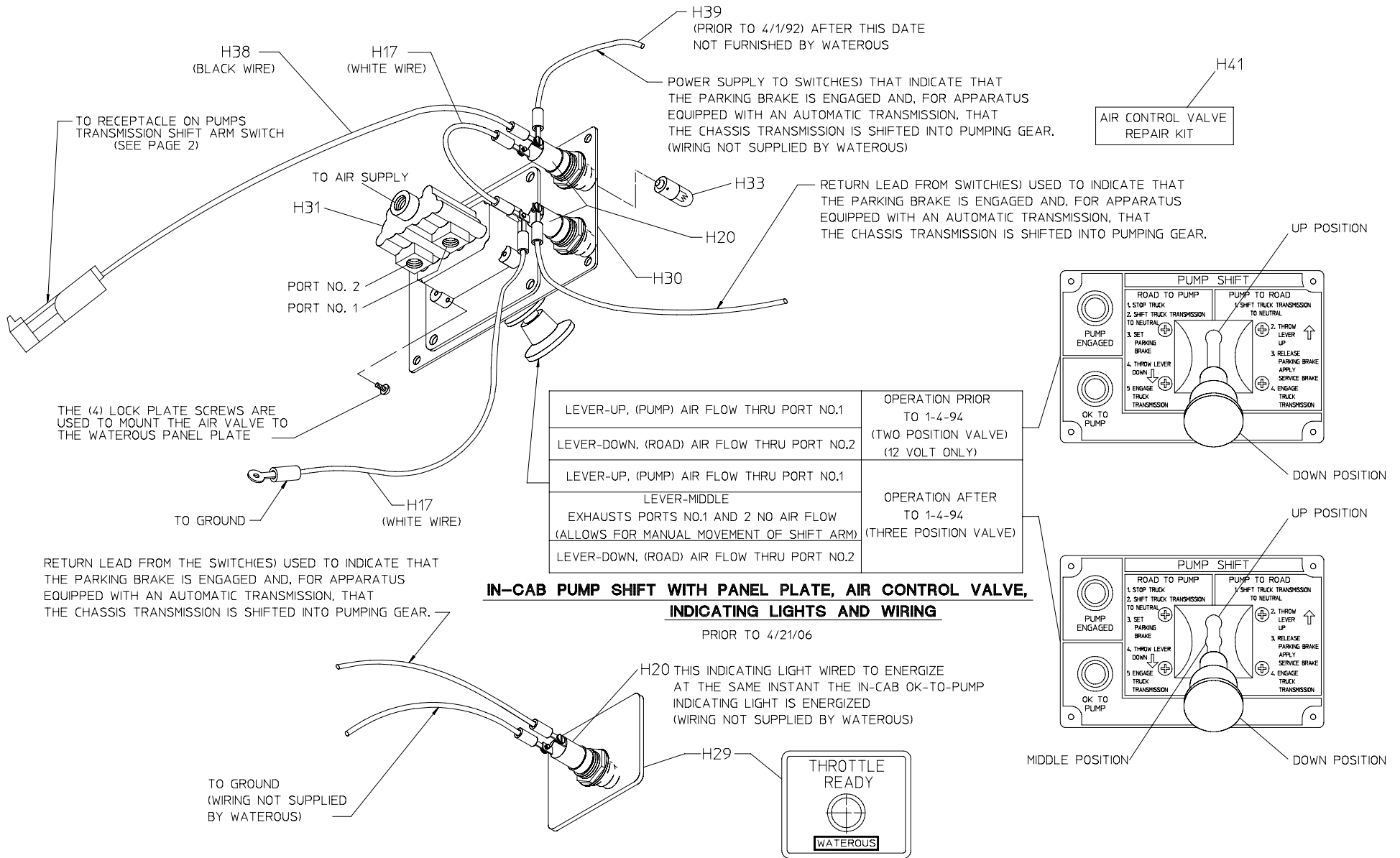
H1	Body	H29	Panel plate, operators panel
H2	End cap	H30	Panel plate, in cab
H3	Piston	H31	Air control valve
H4	Quad ring, 1-1/4 x 1-1/2 in.	H33	Light Bulb, 12 volt (#1819), 24 volt (#313)
H5	O-ring, 1-3/4 x 1-7/8 in.	H34	Pneumatic shift subassembly
H6	Hex hd screw, 5/16-18 x 3/4 in. with thread sealant	H38	Wire assembly, black, 25 ft 9 in.
H7	Lock washer, 5/16 in.	H39	Wire assembly, black, 18 ft
H8	Push button switch	H40	Wire assembly, black, 72 in.
H17	Wire assembly, white, 4-1/2 in.	H41	Repair kit, air control valve
H20	Indicating light, green	H42	Repair kit (includes H4, H5 and H22)
H22	Gasket	H44	In-cab panel mounting hardware
H23	Shift switch bracket	H45	Operator's panel mounting hardware

## PLEASE NOTE

WHEN ORDERING PARTS PLEASE SUPPLY PUMP SERIAL NUMBER



**PNEUMATIC SHIFT ASSEMBLY**  
 PRIOR TO 4/21/06



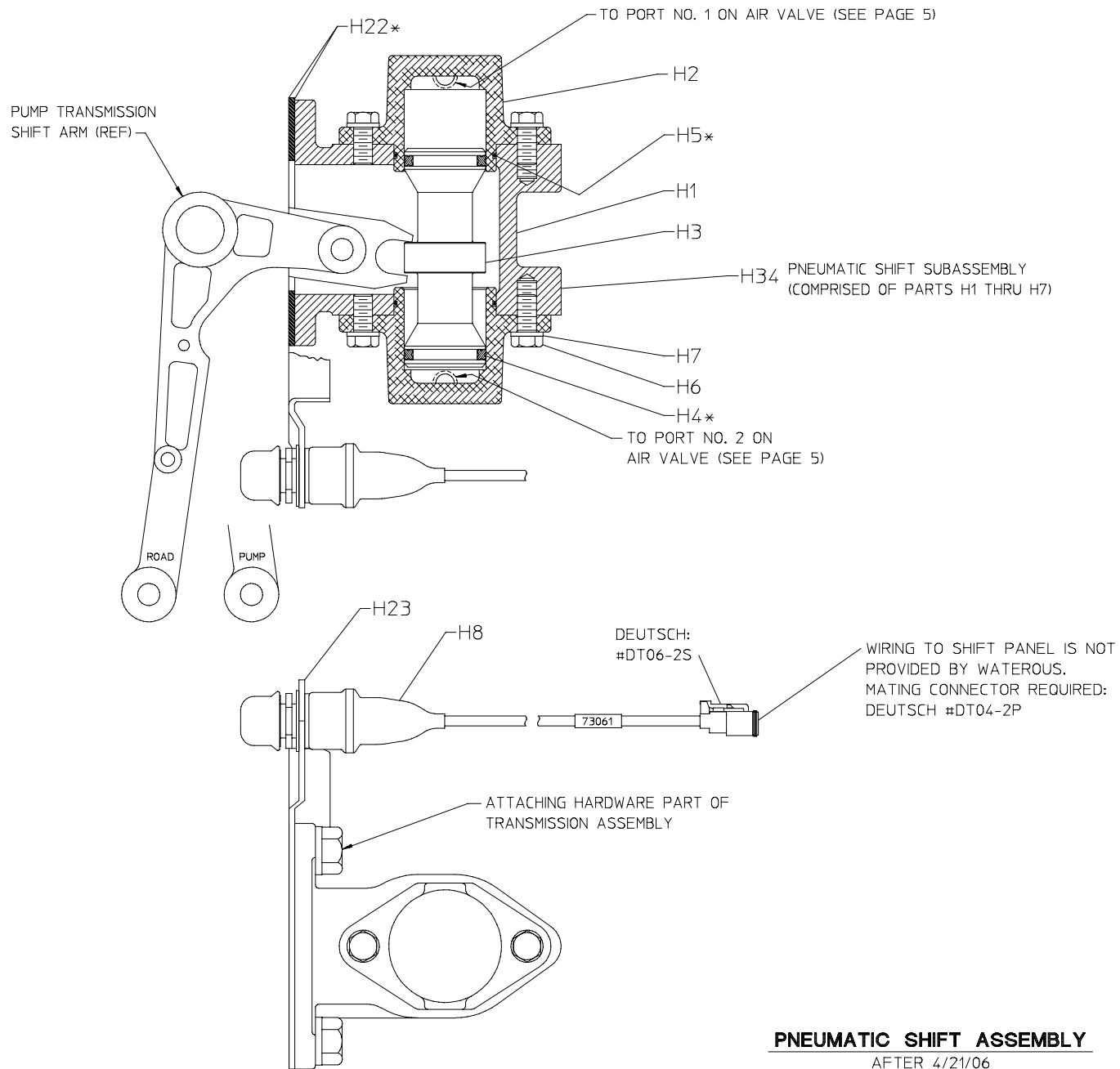
**OPERATORS PANEL MOUNTED INDICATING LIGHT AND PANEL PLATE**

PRIOR TO 4/21/06

SPL 81871

PAGE 3 OF 5

REV: 11/02/07



REPAIR  
KIT

H42

\* PART OF REPAIR KIT H42

**PNEUMATIC SHIFT ASSEMBLY**

AFTER 4/21/06

SPL 81871

PAGE 4 OF 5

REV: 11/02/07

WIRING TO "PUMP ENGAGED" AND "OK TO PUMP" SWITCH(ES) ARE NOT PROVIDED BY WATEROUS. MATING CONNECTOR REQUIRED: DEUTSCH #DT04-4P EACH LED DRAWS 20mA, SIZE WIRE ACCORDINGLY.

DEUTSCH:  
#DT06-4S

CONTACT ARRANGEMENT  
(SHOWN FROM WIRE  
INSERTION SIDE)



DEUTSCH CONTACT #	WIRE	FUNCTION
1	BLACK	AWG 18 TO GREEN LED "PUMP ENGAGED"
2	GREEN	AWG 18 TO GREEN LED "OK TO PUMP"
3	RED	AWG 18 FROM 12 VDC/24 VDC
4	WHITE	AWG 18 FROM 12 VDC/24 VDC

CABLE TO CABLE MALE PLUG

DEUTSCH:  
#DT06-4S

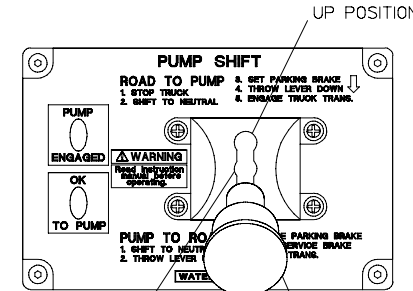
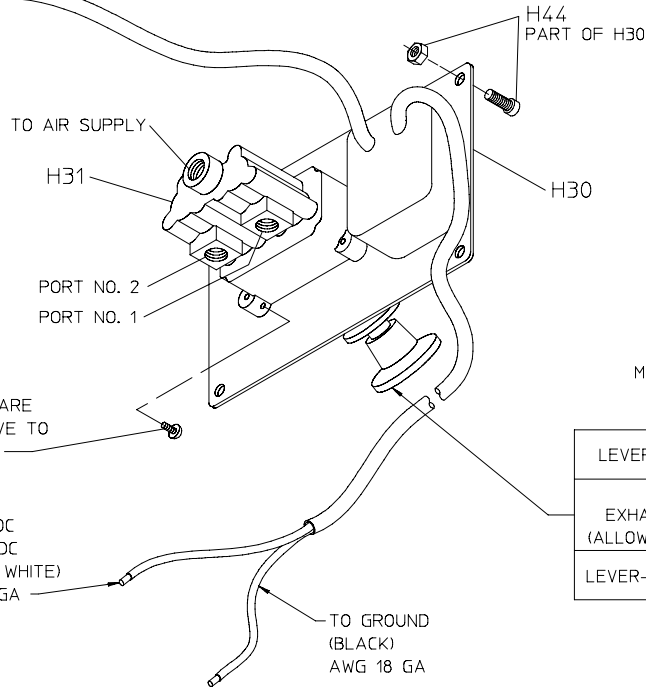
H41

AIR CONTROL VALVE  
REPAIR KIT

THE (4) LOCK PLATE SCREWS ARE  
USED TO MOUNT THE AIR VALVE TO  
THE WATEROUS PANEL PLATE

TO 12 VDC  
OR 24 VDC  
(RED OR WHITE)  
AWG 18 GA

TO GROUND  
(BLACK)  
AWG 18 GA



LEVER-UP, (ROAD) AIR FLOW THRU PORT NO.1  
LEVER-MIDDLE  
EXHAUSTS PORTS NO.1 AND 2 NO AIR FLOW  
(ALLOWS FOR MANUAL MOVEMENT OF SHIFT ARM)  
LEVER-DOWN, (PUMP) AIR FLOW THRU PORT NO.2

**IN-CAB PUMP SHIFT WITH PANEL PLATE, AIR CONTROL VALVE,  
INDICATING LIGHTS AND WIRING**

AFTER 4/21/06

"THROTTLE READY"  
CONTACT ARRANGEMENT  
(SHOWN FROM WIRE  
INSERTION SIDE)

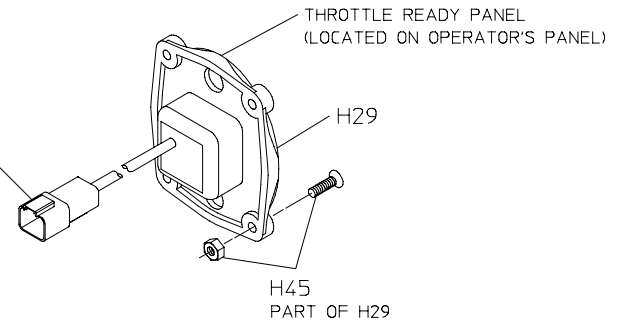


DEUTSCH CONTACT #	WIRE	FUNCTION
1	RED OR WHITE	AWG 16 FROM 12 VDC/24 VDC
2	BLACK	AWG 16 TO GROUND

CABLE TO CABLE FEMALE RECEPTACLE

DEUTSCH:  
#DT04-2P

DEUTSCH:  
#DT04-2P



**OPERATORS PANEL MOUNTED INDICATING LIGHT AND PANEL PLATE**

AFTER 4/21/06