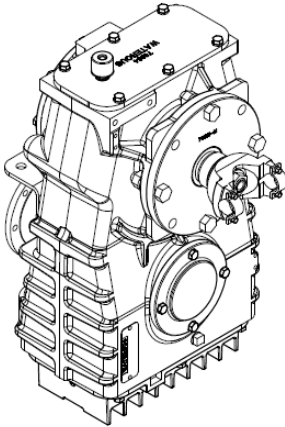


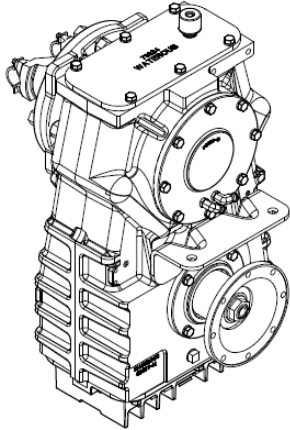
TQC Series P.T.O. Service Parts List

Index:

Model (Located on Serial Plate)	Component	See Page	
TQC	Driveline	2, 3	
	Cross-Section View	4, 5	
	Case	Input Shaft Side and Bottom	6, 7
		Output Shaft Side and Top	8, 9
	Optional Cooling Line Fittings	10, 11	



OUTPUT SHAFT SIDE

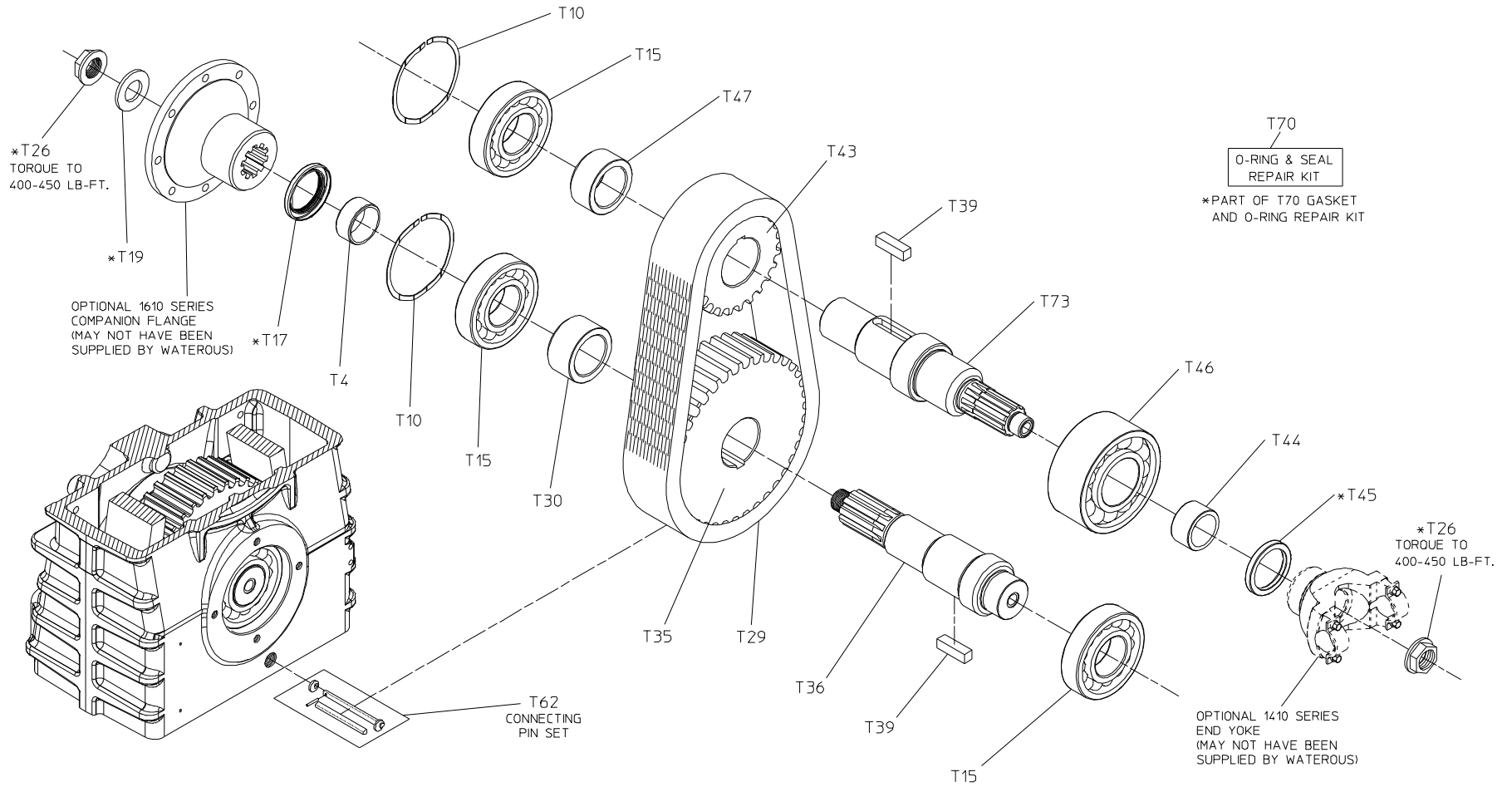


INPUT SHAFT SIDE

Driveline

REF NO.	DESCRIPTION
T4	Oil Seal Sleeve
T10	Wave Spring
T15	Single Row Ball Bearing
T17	Oil Seal, 2 x 2-3/4 in.
T19	Plain Washer, 1 in.
T26	Lock Nut, 1 in.
T29	Chain, 3/4 in. Pitch
T30	Drive Shaft Spacer
T35	Drive Sprocket
T36	Drive Shaft

REF NO.	DESCRIPTION
T39	Square Key, 1/2 x 1-3/4 in.
T43	Driven Sprocket
T44	Oil Seal Sleeve
T45	Oil Seal, 2 x 2-5/8 in.
T46	Double Row Ball Bearing
T47	Bearing Spacer
T70	O-ring Replacement Kit
T73	Driven Shaft

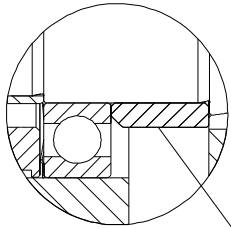


DRIVELINE

Cross-Section View

REF NO.	DESCRIPTION
T4	Oil Seal Sleeve
T10	Wave Spring
T15	Single Row Ball Bearing
T17	Oil Seal, 2 x 2-3/4 in.
T19	Plain Washer, 1 in.
T26	Lock Nut, 1 in.
T29	Chain, 3/4 in. Pitch
T30	Drive Shaft Spacer
T35	Drive Sprocket
T36	Drive Shaft

REF NO.	DESCRIPTION
T39	Square Key, 1/2 x 1-3/4 in.
T43	Driven Sprocket
T44	Oil Seal Sleeve
T45	Oil Seal, 2 x 2-5/8 in.
T46	Double Row Ball Bearing
T47	Bearing Spacer
T70	O-ring Replacement Kit
T73	Driven Shaft



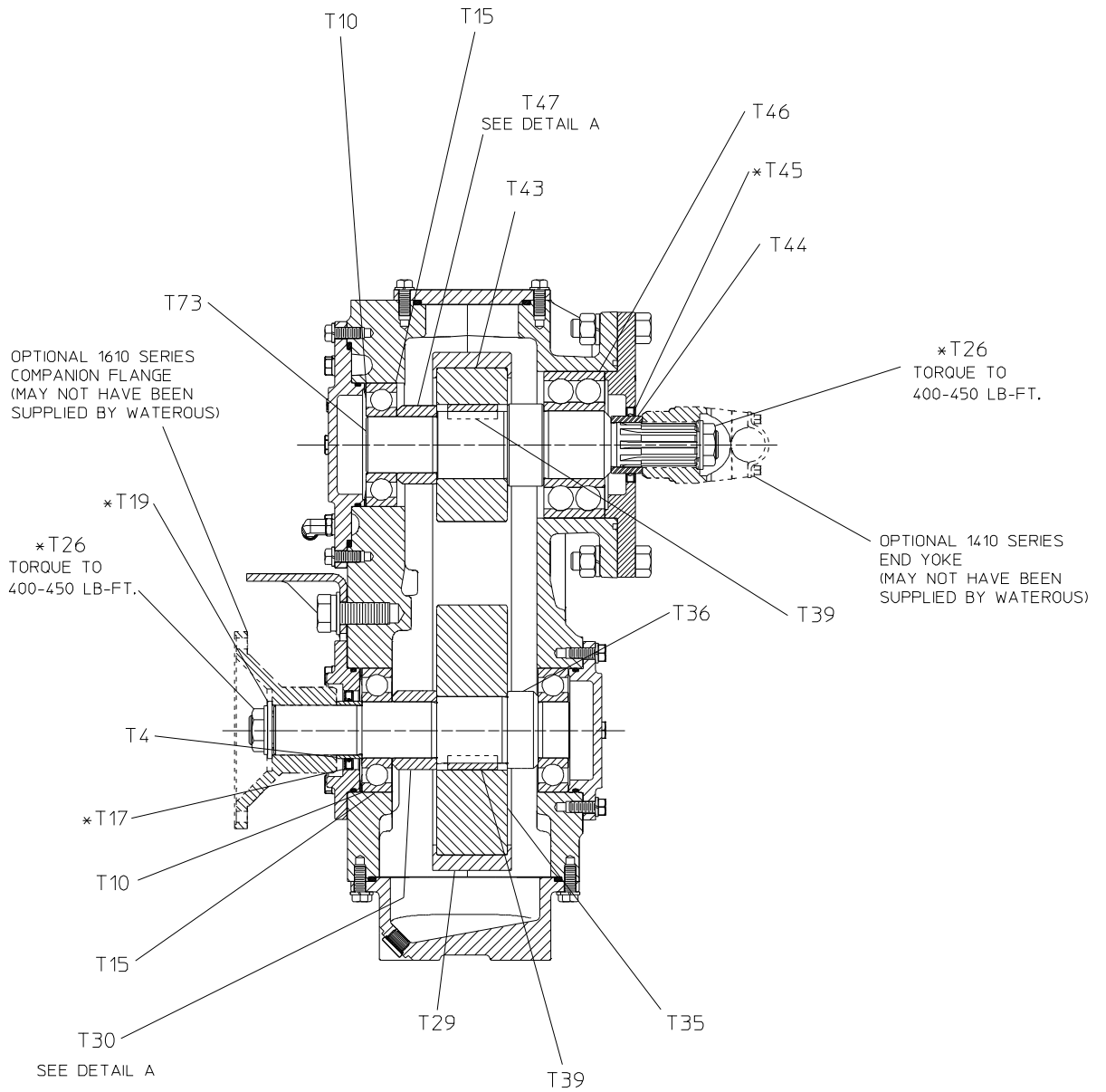
DETAIL A

INSTALL WITH BEVELED
EDGE TOWARD BEARING

T70

O-RING & SEAL
REPAIR KIT

*PART OF T70 GASKET
AND O-RING REPAIR KIT



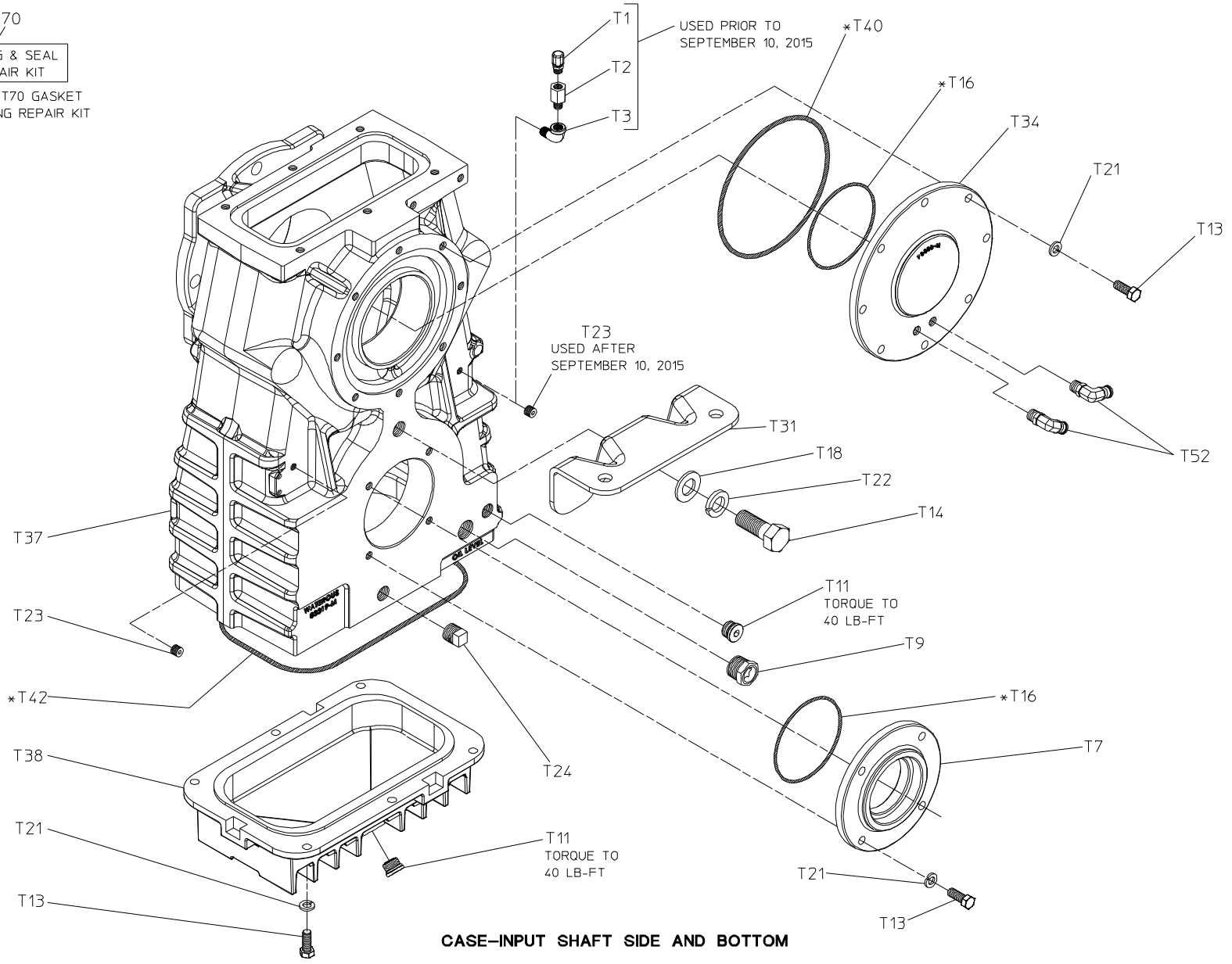
CROSS-SECTION VIEW

Case – Input Shaft Side and Bottom

REF NO.	DESCRIPTION
T1	Breather, 1/8 NPT
T2	Snubber, 1/8 NPT
T3	Street Elbow, 1/8 NPT
T7	Oil Seal Housing
T9	Sight Plug
T11	Socket Head Plug
T13	Hex Head Screw, 3/8-16 x 1 in.
T14	Hex Head Screw, 3/4-10 x 2 in.
T16	O-ring, 4 x 4-1/4 in.
T18	Plain Washer, 3/4 in.
T21	Lock Washer, 3/8 in.
T22	Lock Washer, 3/4 in.

REF NO.	DESCRIPTION
T23	Pipe Plug, 1/8 NPT
T24	Pipe Plug, 1/2 NPT
T31	Case Mounting Bracket
T34	Bearing Cover
T37	Transmission Case
T38	Transmission Pan
T40	O-ring, 6-3/4 x 7-1/8 in.
T42	O-ring, 10 x 10-3/8 in.
T52	Elbow Adapter, 1/4 NPT x 3/8 Tube
T70	O-ring Replacement Kit

T70
 O-RING & SEAL
 REPAIR KIT
 *PART OF T70 GASKET
 AND O-RING REPAIR KIT

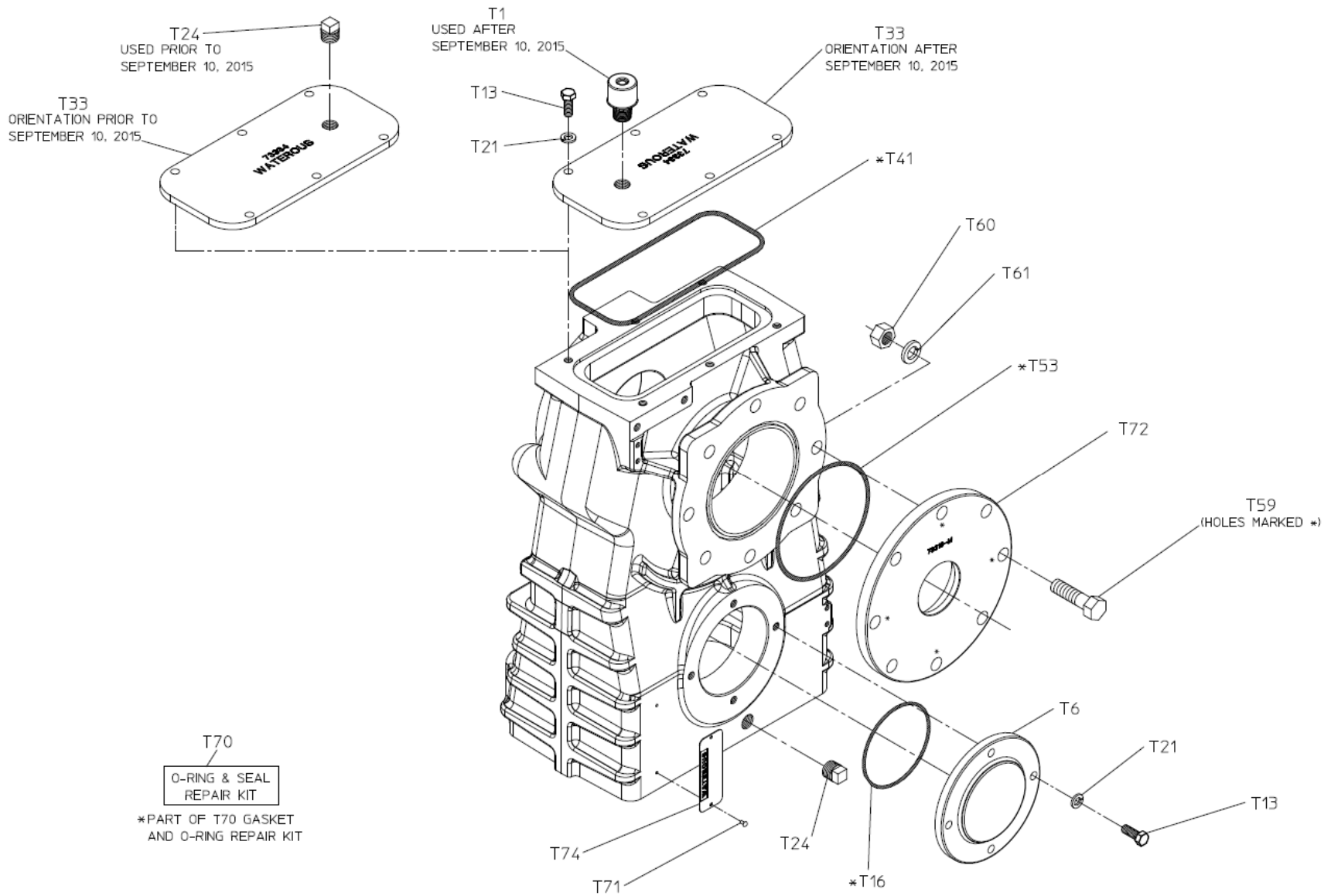


CASE-INPUT SHAFT SIDE AND BOTTOM

Case – Output Shaft Side and Top

REF NO.	DESCRIPTION
T1	Breather, 1/2 NPT
T6	Bearing Cover
T13	Hex Head Screw, 3/8-16 x 1 in.
T16	O-ring, 4 x 4-1/4 in.
T21	Lock Washer, 3/8 in.
T24	Pipe Plug, 1/2 in.
T33	Case Cover
T41	O-ring, 7-3/4 x 8-1/8 in.
T51	Adapter, 1/4 NPT x 3/8 Tube

REF NO.	DESCRIPTION
T52	Elbow Adapter, 1/4 NPT x 3/8 Tube
T53	O-ring, 5-5/8 x 5-7/8 in.
T59	Hex Head Screw, 5/8-18 x 2-1/4 in.
T60	Hex Nut, 5/8-18
T61	Lock Washer, 5/8 in.
T70	O-ring Replacement Kit
T71	Drive Screw, #6, 2-1/4 in.
T74	Serial Plate

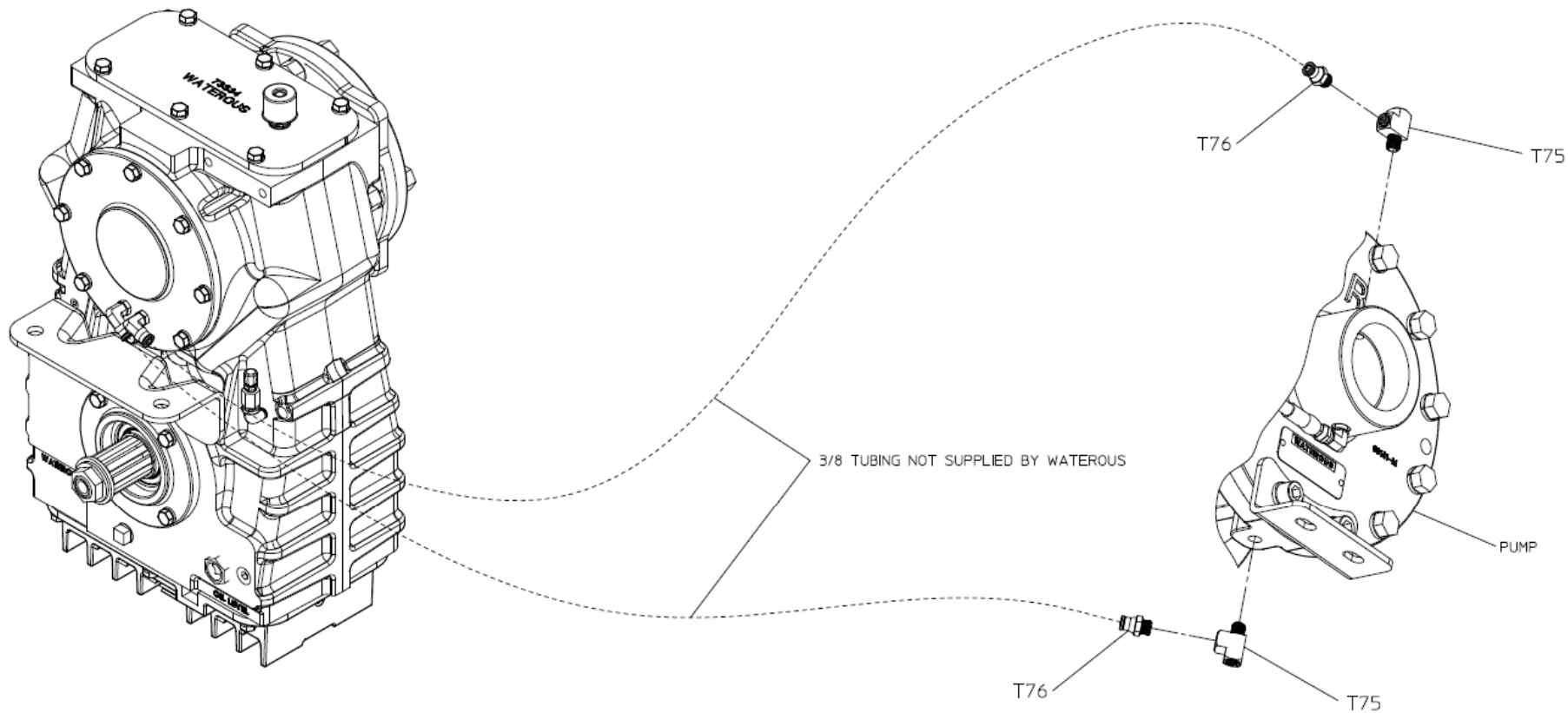


CASE-OUTPUT SHAFT SIDE AND TOP

Optional Cooling Line Fittings

REF NO.	DESCRIPTION
T75	Street Tee, 1/4 NPT

REF NO.	DESCRIPTION
T76	Straight Adapter, 1/4 NPT x 1/4 AB



OPTIONAL COOLING FITTING FITTINGS
(MAY NOT HAVE BEEN SUPPLIED BY WATEROUS)