



Document Number	Issue Date	Rev. Date
SPL83491	4/15/15	1/16/19

Model TPA Power Take-Off Service Parts List

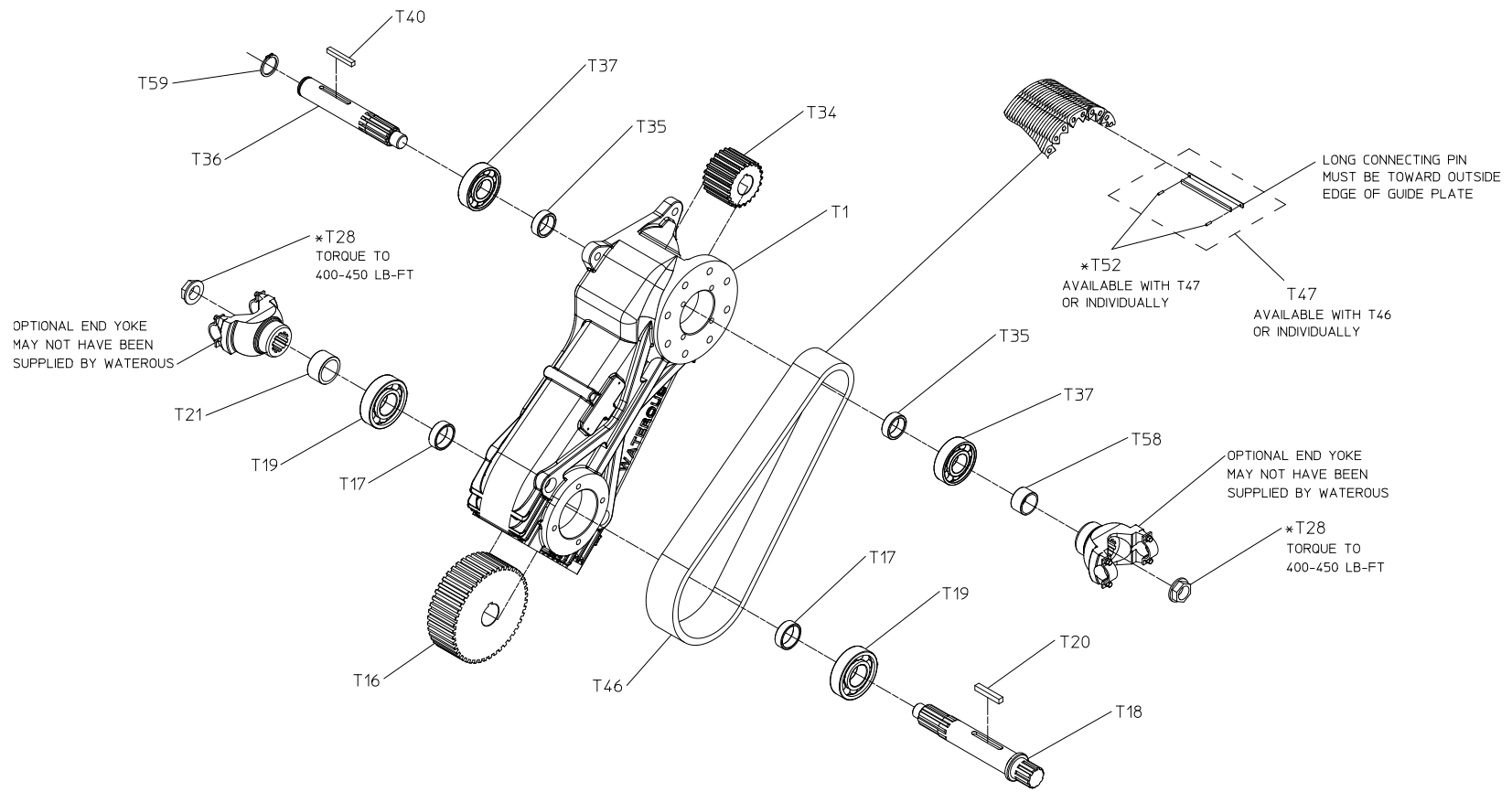
Output Shaft	Components	See Page
Rear (Opposite Side of Input Shaft)	Internal Components	2, 3
	External Components	4, 5
Front (Same Side as Input Shaft)	Internal Components	6, 7
	External Components	8, 9

Note: When ordering repair parts, please provide P.T.O. series number.

Driveline and Internal Components Rear Output Shaft

REF. NO.	DESCRIPTION
T1	Case
T16	Drive sprocket
T17	Drive shaft spacer
T18	Drive shaft
T19	Ball bearing, single row
T20	Square key, 3/8 x 3/8 x 2-1/4 in.
T21	Oil seal sleeve
T28	Shaft nut
T34	Driven sprocket

REF. NO.	DESCRIPTION
T35	Driven shaft spacer
T36	Driven shaft
T37	Ball bearing, single row
T40	Square key, 5/16 x 5/16 x 2-5/16 in.
T46	Drive chain
T47	Connecting pin set
T52	Spirol pin, heavy, 1/16 x 1/4 or 1/16 x 5/16 in.
T58	Oil seal sleeve
T59	Retaining ring



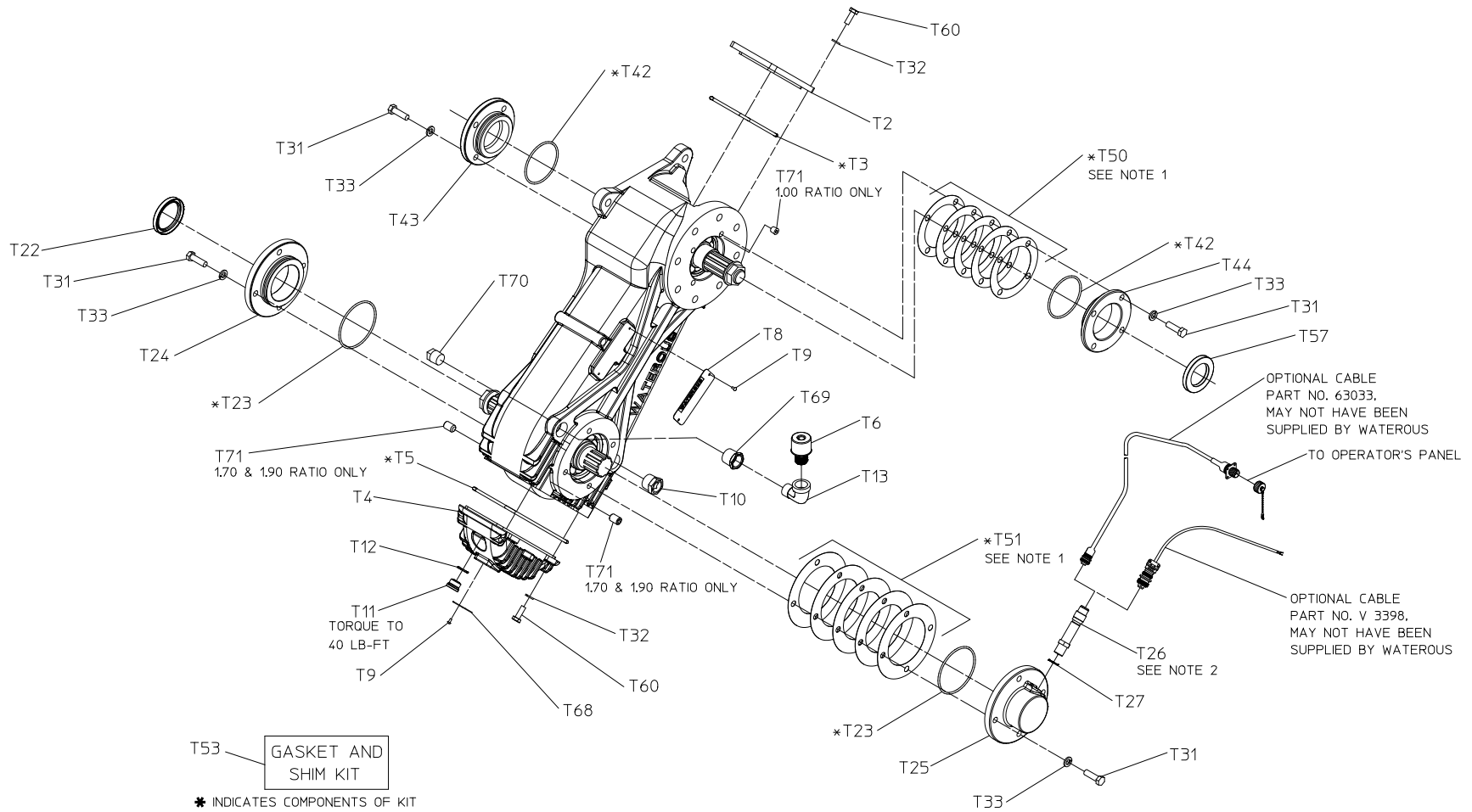
T53 GASKET AND SHIM KIT
 * INDICATES COMPONENTS OF KIT

REAR FACING OUTPUT SHAFT
 INTERNAL COMPONENTS

Case and External Components Rear Output Shaft

REF. NO.	DESCRIPTION
T2	Top cover
T3	O-ring, 4-5/8 x 5
T4	Case bottom assembly
T5	O-ring, 7 x 7-3/8
T6	Breather, 1/2 NPT
T8	Serial plate
T9	Rnd hd drive screw, no. 6 x 1/4 in.
T10	Sight plug
T11	Drain plug
T12	Plug seal
T13	Street elbow, 90°, 1/2 in.
T22	Oil seal, 2 x 2-5/8 in.
T23	O-ring, 3-1/4 x 3-1/2 in.
T24	Oil seal housing
T25	Tachometer housing
T26	Magnetic pickup
T27	O-ring, 5/8 x 3/4 in.

REF. NO.	DESCRIPTION
T30	Hex hd screw, 5/16-18 x 1 in.
T31	Hex hd screw, 3/8-16 x 1-1/4 in.
T32	Lockwasher, 5/16 in.
T33	Lockwasher, 3/8 in.
T42	O-ring, 2-7/8 x 3-1/8 in.
T43	Oil seal housing
T44	Oil seal housing
T50	Driven shaft shim, 0.005 and 0.010 in. thick
T51	Drive shaft shim, 0.005 and 0.010 in. thick
T53	Gasket and shim repair kit
T57	Oil seal, 1-5/8 x 2-5/8 in.
T60	Hex hd screw, 5/16-18 x 7/8 in.
T68	Oil Level Plate
T69	Reducing Bushing, 3/4 NPT x 1/2 NPT
T70	Pipe Plug, 1/2 NPT
T71	Pipe Plug, 1/8 NPT (Prior to 9/1/2016)
T71	Screw-Set, 1/2-13 x 3/4 (After 9/1/2016)



REAR FACING OUTPUT SHAFT

EXTERNAL COMPONENTS

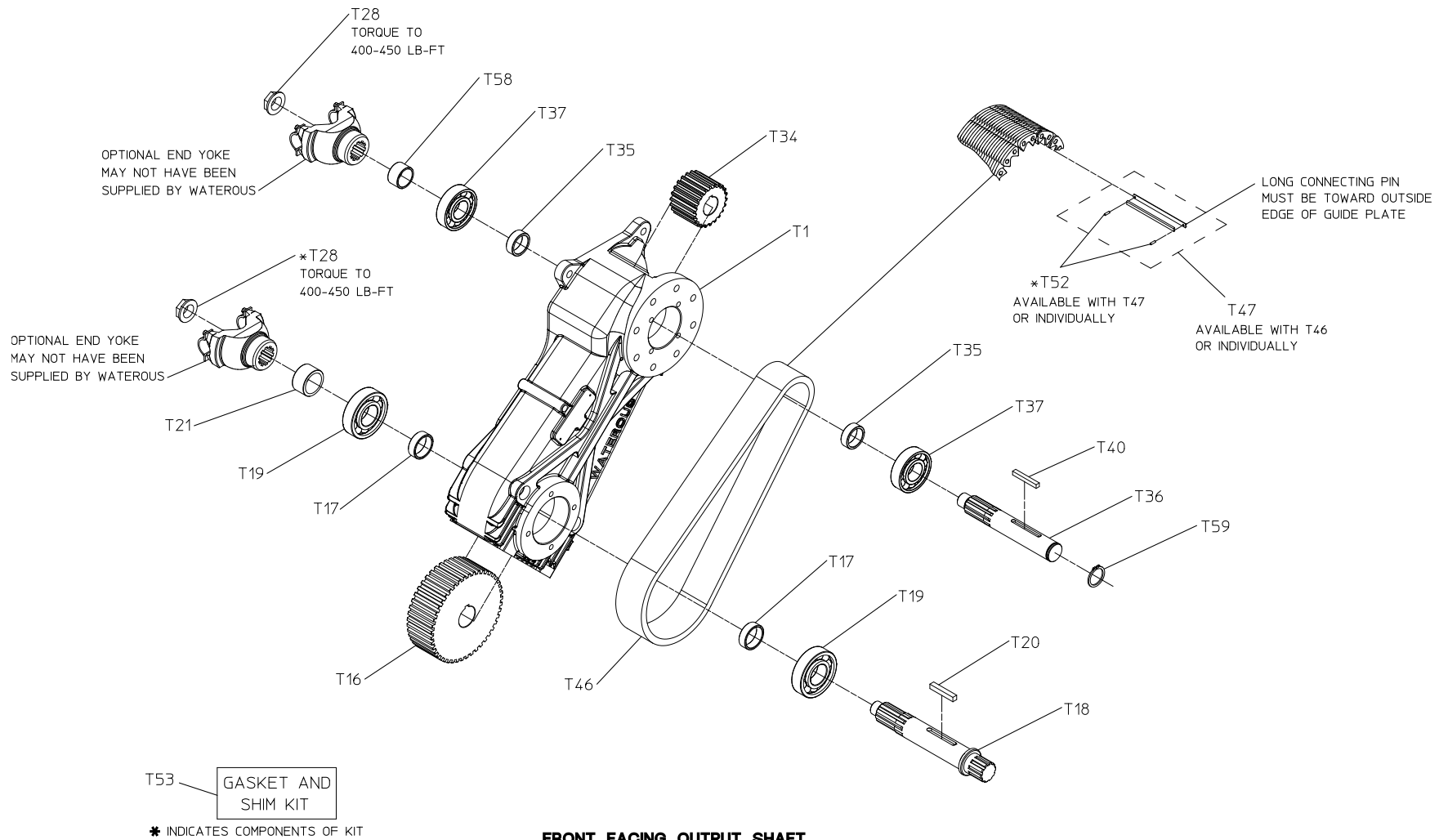
NOTES:

1. SHIM SO THAT SHAFT IS LIMITED TO .005-.010 AXIAL FLOAT
2. THREAD INTO HOUSING UNTIL CONTACT WITH PULSE GENERATOR IS MADE, BACK OFF 1/2 TURN AND TIGHTEN NUT. (TACHOMETER PICKUP TO FACE UP WITH 1.00 RATIO)

Driveline and Internal Components Front Output Shaft

REF. NO.	DESCRIPTION
T1	Case
T16	Drive sprocket
T17	Drive shaft spacer
T18	Drive shaft
T19	Ball bearing, single row
T20	Square key, 3/8 x 3/8 x 2-1/4 in.
T21	Oil seal sleeve
T28	Shaft nut
T34	Driven sprocket

REF. NO.	DESCRIPTION
T35	Driven shaft spacer
T36	Driven shaft
T37	Ball bearing, single row
T40	Square key, 5/16 x 5/16 x 2-5/16 in.
T46	Drive chain
T47	Connecting pin set
T52	Spirol pin, heavy, 1/16 in.
T58	Oil seal sleeve
T59	Retaining ring

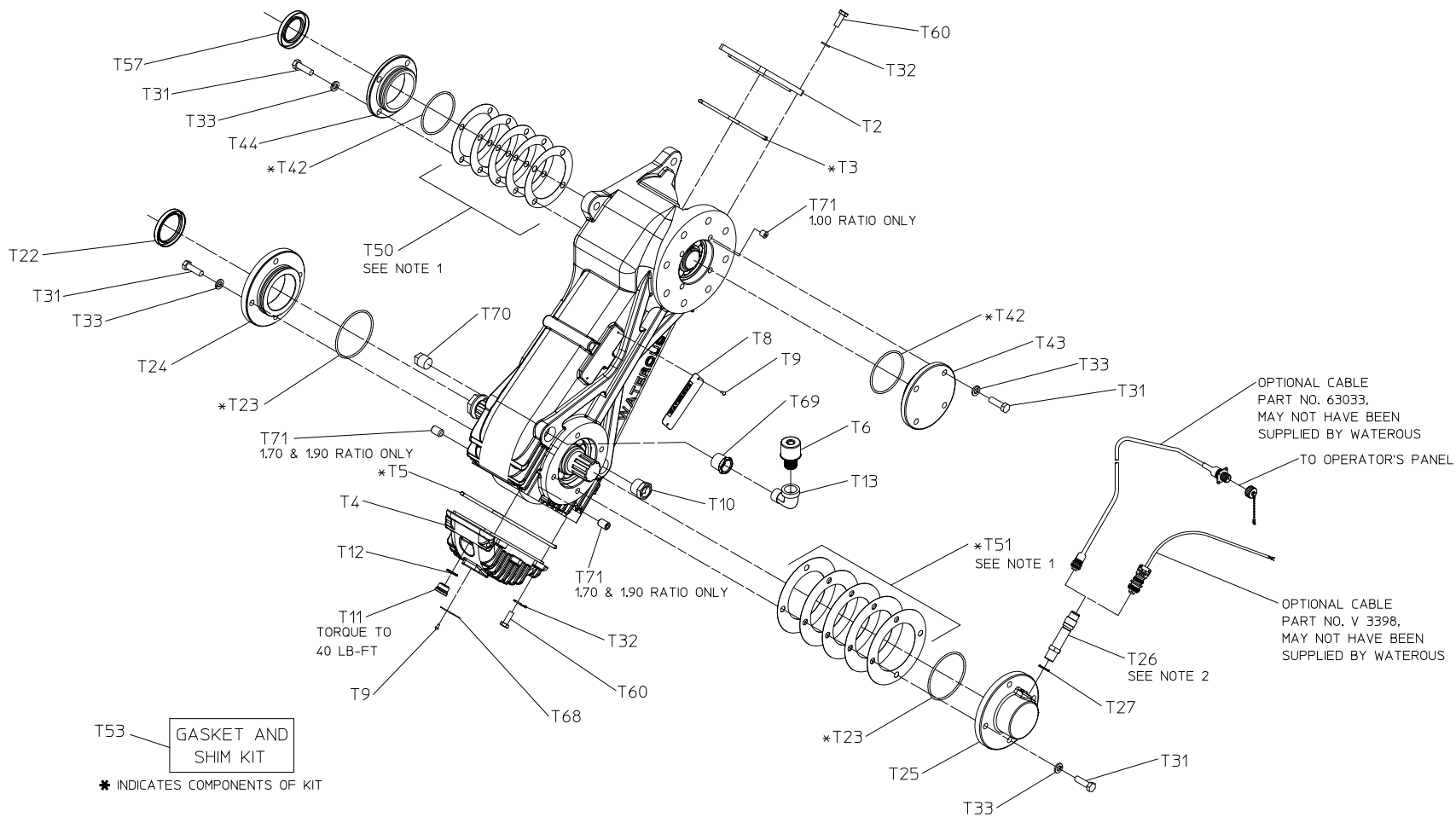


FRONT FACING OUTPUT SHAFT
INTERNAL COMPONENTS

Case and External Components Front Output Shaft

REF. NO.	DESCRIPTION
T2	Top cover
T3	O-ring, 4-5/8 x 5
T4	Case bottom assembly
T5	O-ring, 7 x 7-3/8
T6	Breather, 1/2 NPT
T8	Serial plate
T9	Rnd hd drive screw, no. 6 x 1/4 in.
T10	Sight plug
T11	Drain plug
T12	Plug seal
T13	Street elbow, 90°, 1/2 in.
T22	Oil seal, 2 x 2-5/8 in.
T23	O-ring, 3-1/4 x 3-1/2 in.
T24	Oil seal housing
T25	Tachometer housing
T26	Magnetic pickup

REF. NO.	DESCRIPTION
T27	O-ring, 5/8 x 3/4 in.
T30	Hex hd screw, 5/16-18 x 1 in.
T31	Hex hd screw, 3/8-16 x 1-1/4 in.
T32	Lockwasher, 5/16 in.
T33	Lockwasher, 3/8 in.
T42	O-ring, 2-7/8 x 3-1/8 in.
T43	Oil seal housing
T44	Oil seal housing
T50	Driven shaft shim, 0.005 and 0.010 in. thick
T51	Drive shaft shim, 0.005 and 0.010 in. thick
T53	Gasket and shim repair kit
T57	Oil seal, 1-5/8 x 2-5/8 in.
T60	Hex hd screw, 5/16-18 x 7/8 in.
T68	Oil Level Plate
T69	Reducing Bushing, 3/4 NPT x 1/2 NPT
T70	Pipe Plug, 1/2 NPT
T71	Pipe Plug, 1/8 NPT (Prior to 9/1/2016)
T71	Screw-Set, 1/2-13 x 3/4 (After 9/1/2016)



FRONT FACING OUTPUT SHAFT
EXTERNAL COMPONENTS

- NOTES:
- SHIM SO THAT SHAFT IS LIMITED TO .005-.010 AXIAL FLOAT
 - THREAD INTO HOUSING UNTIL CONTACT WITH PULSE GENERATOR IS MADE, BACK OFF 1/2 TURN AND TIGHTEN NUT. (TACHOMETER PICKUP TO FACE UP WITH 1.00 RATIO)