

Issued: 1/78
Revised: 2/94

Waterous
DEPENDABLE

WATEROUS COMPANY
SOUTH ST. PAUL, MINNESOTA

FLOTO PUMP, HIGH PRESSURE

REF NO.	DESCRIPTION	REF NO.	DESCRIPTION
PUMP REPAIR PARTS			
1	Air intake stack cover	30	Fuel tank strap
2	Wing nut, no. 10-32	31	Filler cap
4	Plain washer, air intake cover	32	Fuel tank
6	Lifting handle	33	Self-tapping rd hd screw, No. 12 x 12 in.
7	Engine	34	Rd hd mach screw, no. 10-24 x 1 in.
7A	See ref. no. 131	36	Pipe nipple, 1 in. NPT x 7-3/4 in.
8	Float, includes ref no. 51, 79 and 134	37	Discharge nozzle
11	Skid	38	Bolt, 1/4-20 x 1-3/4 in.
12	Spacer stud	41	Fuel line filter
13	Self-locking nut, 3/8-16	42	Internal tooth lock washer, 1/4 in.
14	Plain washer, 3/8 in.	43	Pipe nipple, 1-1/4 NPT x 4 in.
15	Intake screen	44	Muffler
16	Mechanical seal	45	Exhaust adapter
17	Self-locking nut, 9/16-18	46	O-ring, 7-1/4 x 7-1/2 in.
18	Impeller subassembly, includes ref no. 63	47	Grommet
19	Dowel pin, SS, 5/16 x 3/4 in.	48	Choke decal
20	Upper volute	49	RUN-STOP switch decal
21	Socket hd cap screw, 5/16-18 x 1-1/2 in.	50	Fuel mix decal
22	Lower volute subassembly (includes ref no. 64)	51	Name plate decal (includes pump serial number)
23	Throttle control float assembly	53	U-bolt clamp
25	Throttle control arm	58	Self-locking nut, 1/4-20
26	Fuel line	62	Support washer
28	Socket hd cap screw, with drilled head no. 10-32 x 3/8 in.	63	Impeller bushing
29	Socket hd cap screw, 1/4-20 x 2-1/2 or 2-5/8 in.	64	Volute bushing
		65	Air intake stack
		66	Safety wire

PLEASE NOTE

WHEN ORDERING PARTS PLEASE SUPPLY PUMP SERIAL NUMBER

PL80670

Page 1 of 3

FLOTO PUMP, HIGH PRESSURE

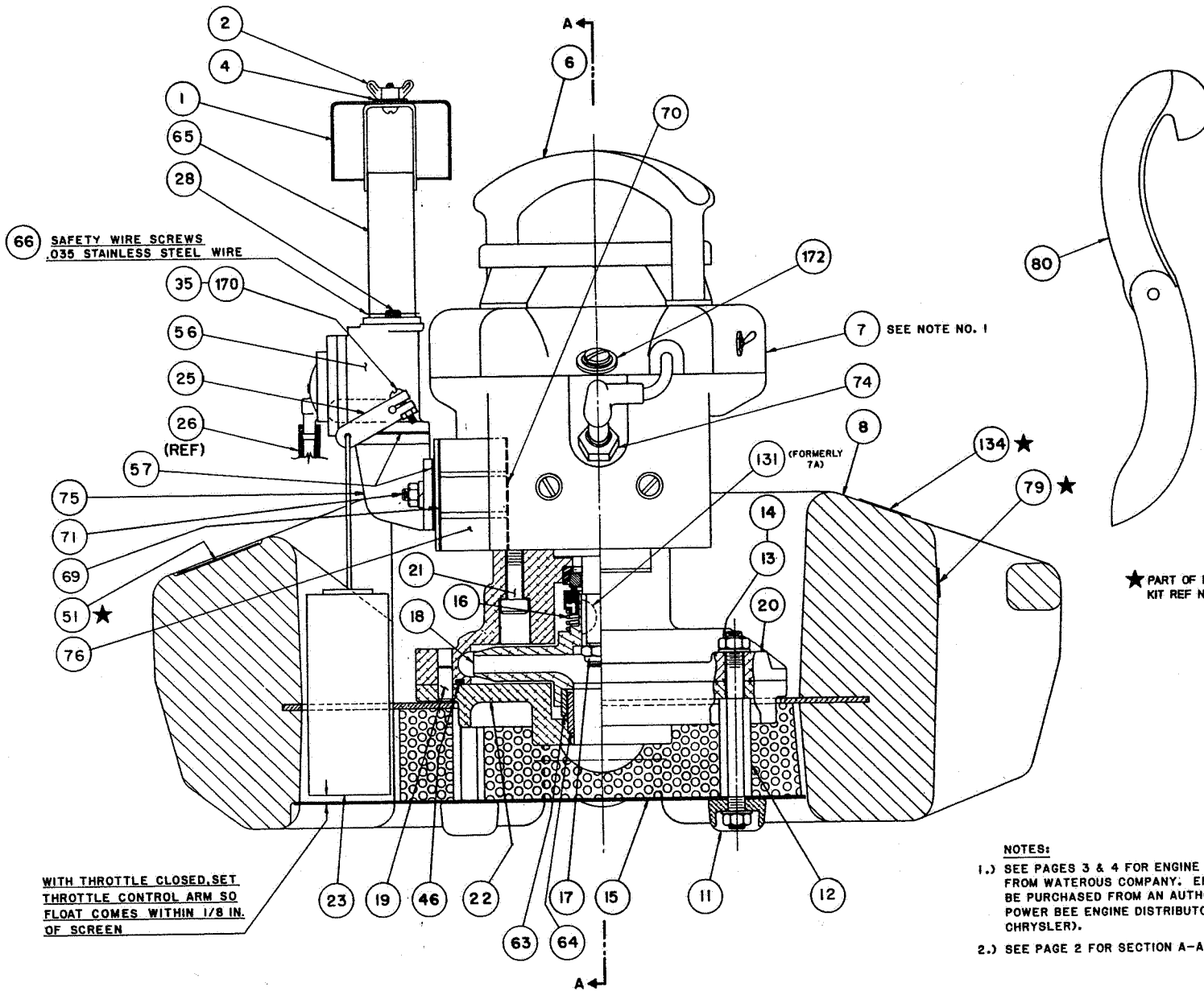
REF NO.	DESCRIPTION	REF NO.	DESCRIPTION
67	Support grommet	83	Hex hd screw, 5/16-18 x 1-1/4 in.
68	Rubber washer	84	Lock plate
77	Warning label	134	Warning Label
78	Muffler bracket shim	163	Fuel line replacement kit, includes ref no. 26 & 27
79	Patent decal		
80	Spanner wrench, folding		

ENGINE REPAIR PARTS

35	Self-locking nut, no. 10-24	90	Fuel tank assembly, includes ref no. 31, 32, 41 & 50
56	Complete carburetor	91	Ignition switch
57	Carburetor gasket	93	Starter replacement kit, includes ref no. 29, 42 & 138
59	Exhaust adapter gasket	94	Carburetor repair kit
69	Manifold gasket	95	Flywheel key
70	Transfer port cover gasket	96	Stator plate cover
71	Carburetor stud	97	Cover gasket
72	Breaker point set	98	Magneto end seal
73	Condenser	99	Stator plate
74	Spark plug (Champion L-86C) or (AC R447)	100	Cam felt
75	Carburetor adapter elbow	101	Fuel strainer cover
76	Manifold	102	Main adjustment screw washer
81	Head bolt stud	103	Throttle shaft and lever
82	Muffler bracket	104	Bearing cage gasket
85	Cylinder cover	105	Ball bearing
86	Fan housing	106	Crankshaft
87	Support plate	107	Connecting rod with cap
88	Coil wedge spring	108	Retaining ring
89	Coil with sparkie	109	Piston

FLOTO PUMP, HIGH PRESSURE

REF NO.	DESCRIPTION	REF NO.	DESCRIPTION
110	Piston pin	141	Ground lead
111	Piston ring set	142	Hex slot screw with lockwasher, 1/4-20 x 11/16 in.
112	Cylinder head	143	Cover spring
113	Head gasket, .032 in. thick	144	Insulator
114	Head gasket, .062 in. thick	145	Pan hd screw with lockwasher, no. 8-32 x 5/16 in.
115	Cylinder w/seal	146	Pan hd screw with lockwasher, no. 8-32 x 5/16 in.
116	Reed	147	Condenser clamp
117	Drive end seal	148	Plain washer, 1/4 in.
118	Crankcase cover gasket	149	Crankcase cover
119	Transfer port cover	150	Reed stop
120	Connecting rod screw	151	Rnd hd screw with lockwasher, no. 6-32 x 5/16 in.
121	Crankpin roller set	152	Reed plate (includes 116, 150 & 151)
123	Pan hd screw with lockwasher, 1/4-20 x 3/4 in.	153	Spring lockwasher, 1/4 in.
124	Pan hd screw with lockwasher, 1/4-20 x 7/8 in.	154	Socket hd cap screw, 1/4-20 x 11/16 in.
125	Hex hd screw with lockwasher, 1/4-20 x 1-1/8 in.	155	Plain washer, 1/4 in.
126	Hex hd screw with lockwasher, 1/4-20 x 3/8 in.	156	Pan hd screw, no. 6-32 x 3/8 in.
127	Pan hd screw with lockwasher, 1/4-20 x 5/8 in.	157	Stud or insulator screw, no. 6-32 x 5/8 in.
128	Pan hd screw with lockwasher, 1/4-20 x 1/2 in.	158	Lockwasher, no. 6
130	Hex nut, 1/4-20	159	Hex nut or self-locking nut, no. 6-32
131	Woodruff Key (formerly ref no. 7A)	160	Fuel strainer screen
135	Rnd hd screw with lockwasher, 1/4-20 x 5/8 in.	161	Fuel strainer cover gasket
136	Hex Nut, 7/16-20	162	Pan head screw, no. 6-32 x 7/16 in.
137	Lockwasher, 7/16 in.	167	Atom module assembly
138	Starter cup	170	Fillister hd screw, no. 10-24 x 9/16 in.
139	Flywheel	171	Power head gasket and seal repair kit
140	Cam	172	Plain washer, 1/4 in.



66 SAFETY WIRE SCREWS
 .035 STAINLESS STEEL WIRE

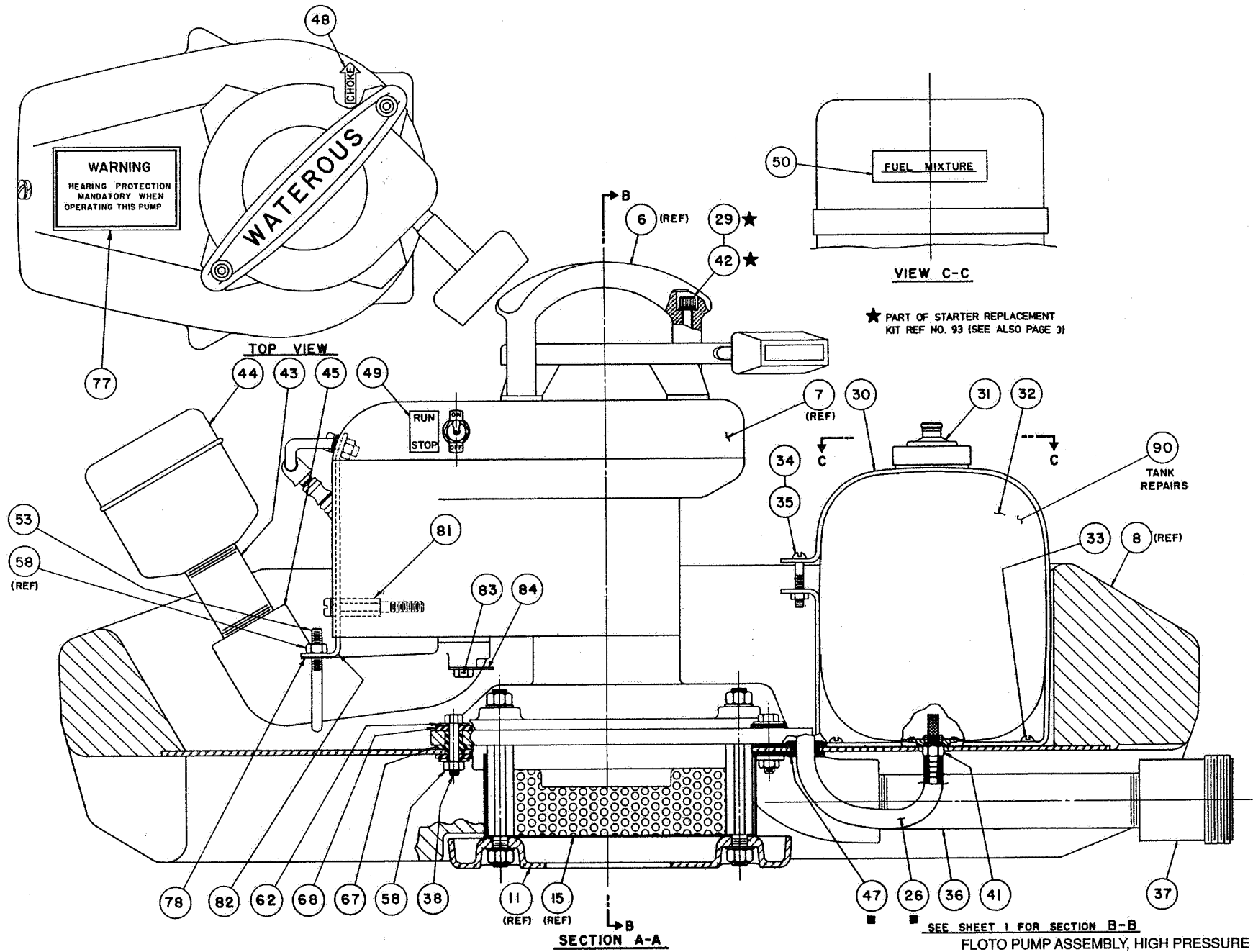
WITH THROTTLE CLOSED, SET
 THROTTLE CONTROL ARM SO
 FLOAT COMES WITHIN 1/8 IN.
 OF SCREEN

★ PART OF FLOAT REPLACEMENT
 KIT REF NO. 8

- NOTES:
- 1.) SEE PAGES 3 & 4 FOR ENGINE REPAIR PARTS AVAILABLE FROM WATEROUS COMPANY. ENGINE COMPONENTS MAY BE PURCHASED FROM AN AUTHORIZED U.S. MOTOR POWER BEE ENGINE DISTRIBUTOR OR DEALER (FORMERLY CHRYSLER).
 - 2.) SEE PAGE 2 FOR SECTION A-A.

SECTION B-B

FLOTO PUMP ASSEMBLY, HIGH PRESSURE
 PL 80670
 WATEROUS COMPANY
 SOUTH ST. PAUL, MN 55075
(ISSUED 1-79) PAGE 1 OF 5 (REVISED 2-84)



WARNING
HEARING PROTECTION
MANDATORY WHEN
OPERATING THIS PUMP

WATEROUS

TOP VIEW

SECTION A-A

VIEW C-C

FUEL MIXTURE

RUN STOP

TANK REPAIRS

SEE SHEET 1 FOR SECTION B-B

FLOTO PUMP ASSEMBLY, HIGH PRESSURE

PL 80670

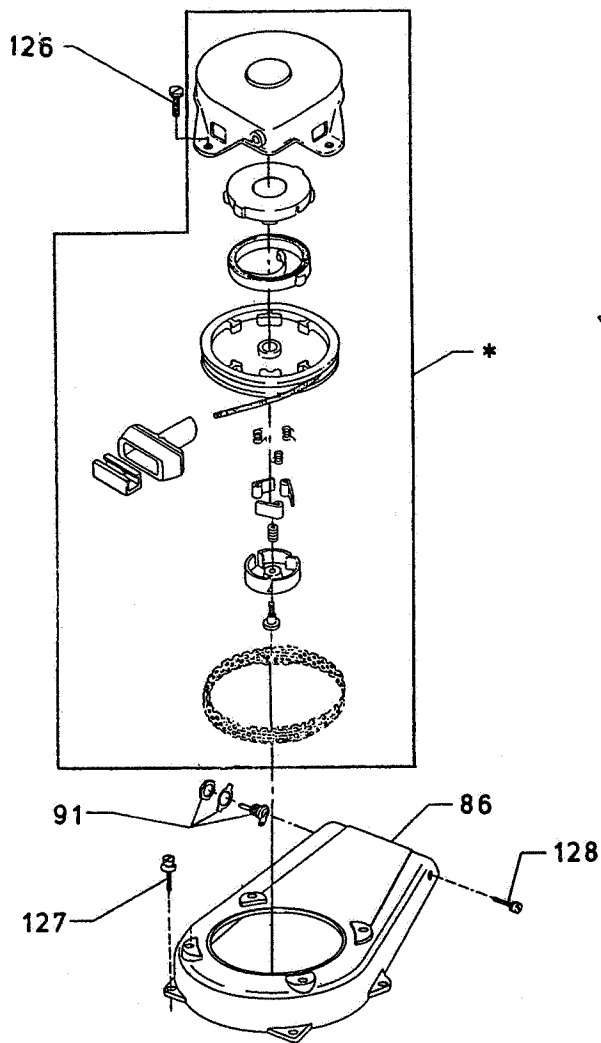
WATEROUS COMPANY

SOUTH ST. PAUL, MN 55075

PAGE 2 OF 5

■ PART OF FUEL LINE KIT REF NO. 163

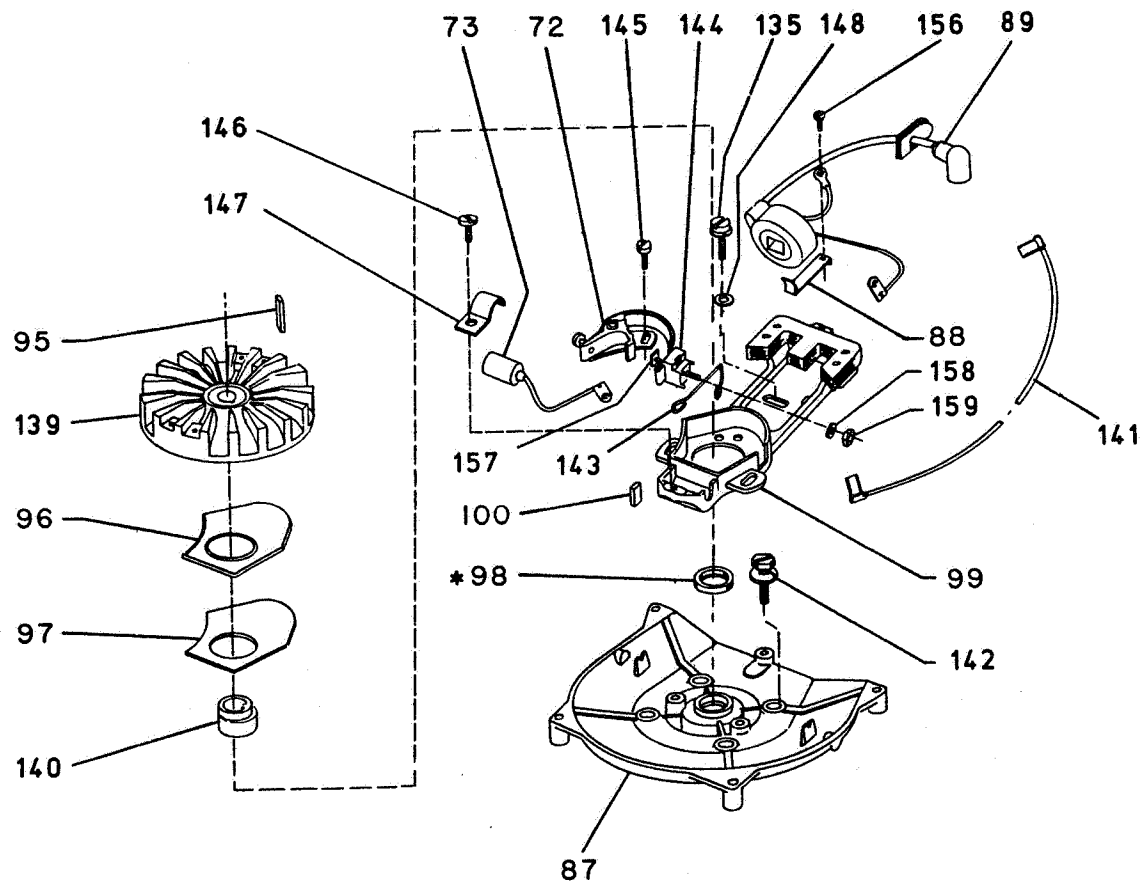
★ PART OF STARTER REPLACEMENT
KIT REF NO. 93 (SEE ALSO PAGE 3)



* INCLUDED IN STARTER REPLACEMENT KIT REF NO. 93

(ALSO SEE PAGES 2 AND 4)

STARTER (USED PRIOR TO 6/24/93)



(ALSO SEE PAGE 4)

MAGNETO (USED PRIOR TO 12/5/93)

* INCLUDED IN GASKET REPAIR KIT REF. NO. 171 (SEE PAGE 5)

FLOTO PUMP ASSEMBLY, HIGH PRESSURE

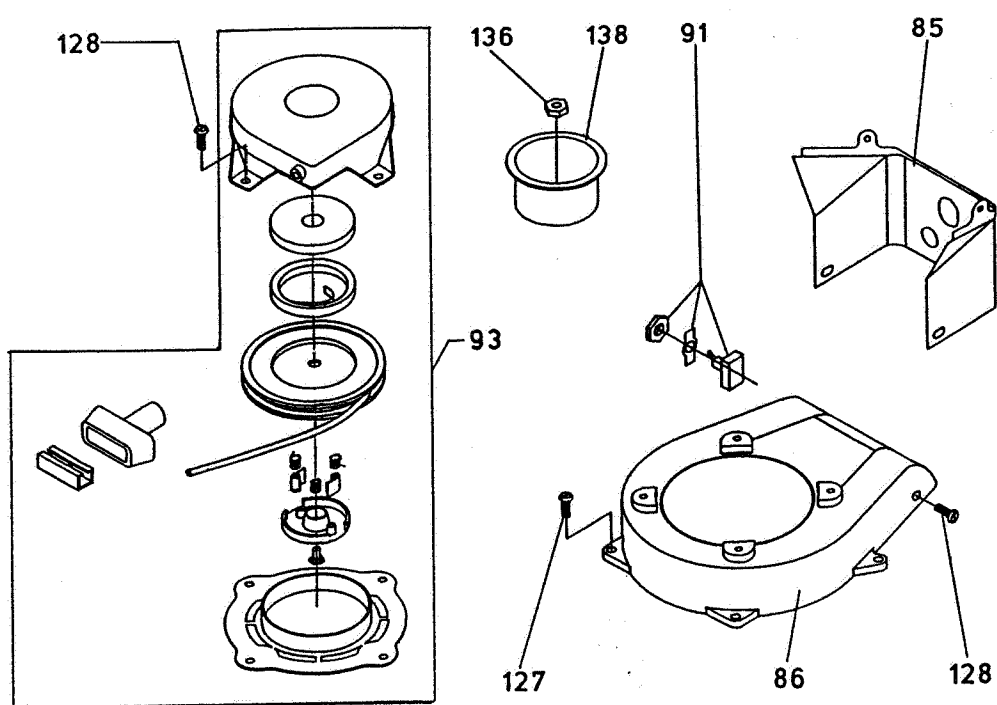
PL 80670

WATEROUS COMPANY

SOUTH ST. PAUL, MN 55075

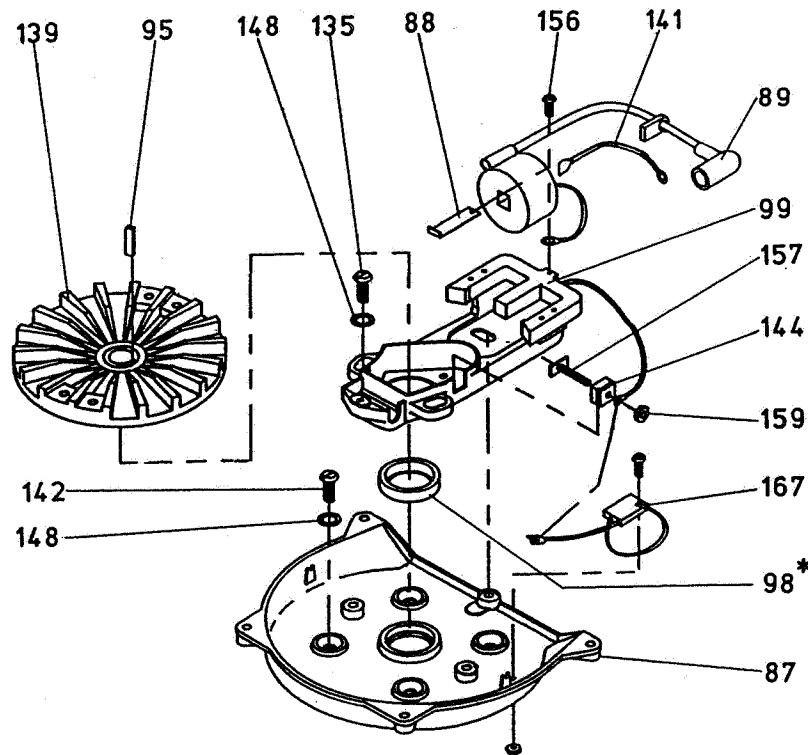
PAGE 3 OF 5

NOTE: ENGINE PARTS DESIGNATED BY A REF NO. CAN BE SUPPLIED BY WATEROUS COMPANY OR A U.S. MOTOR POWER BEE DISTRIBUTOR OR DEALER. PARTS WITHOUT A REF NO. CAN BE SUPPLIED BY U.S. MOTOR POWER ONLY. SEE U.S. MOTOR POWER'S, OR CHRYSLER'S SERVICE MANUAL FOR INFORMATION ON OBTAINING THESE PARTS.



(ALSO SEE PAGES 2 AND 3)

STARTER (USED AFTER 6/24/93)



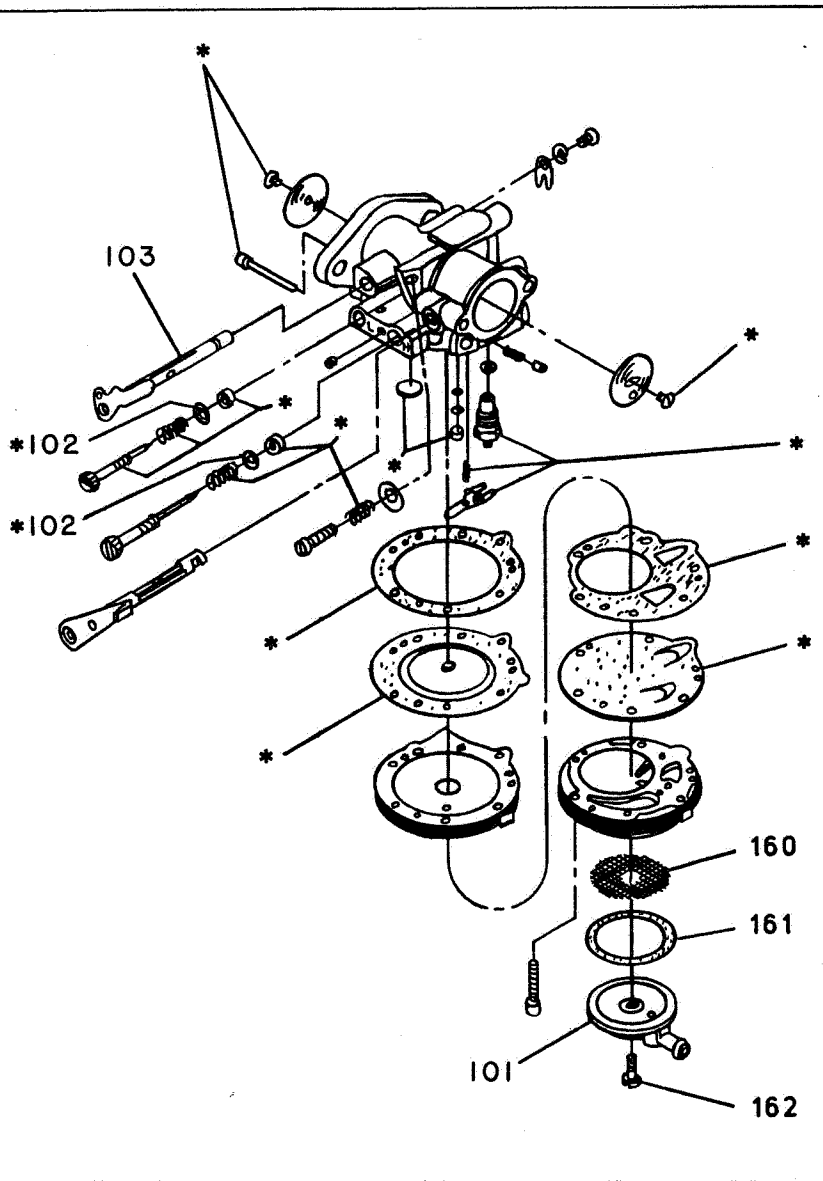
IGNITION (USED AFTER 12/5/93)

* INCLUDED IN GASKET REPAIR KIT REF NO. 171 (SEE PAGE 5)
(ALSO SEE PAGE 3)

NOTE:

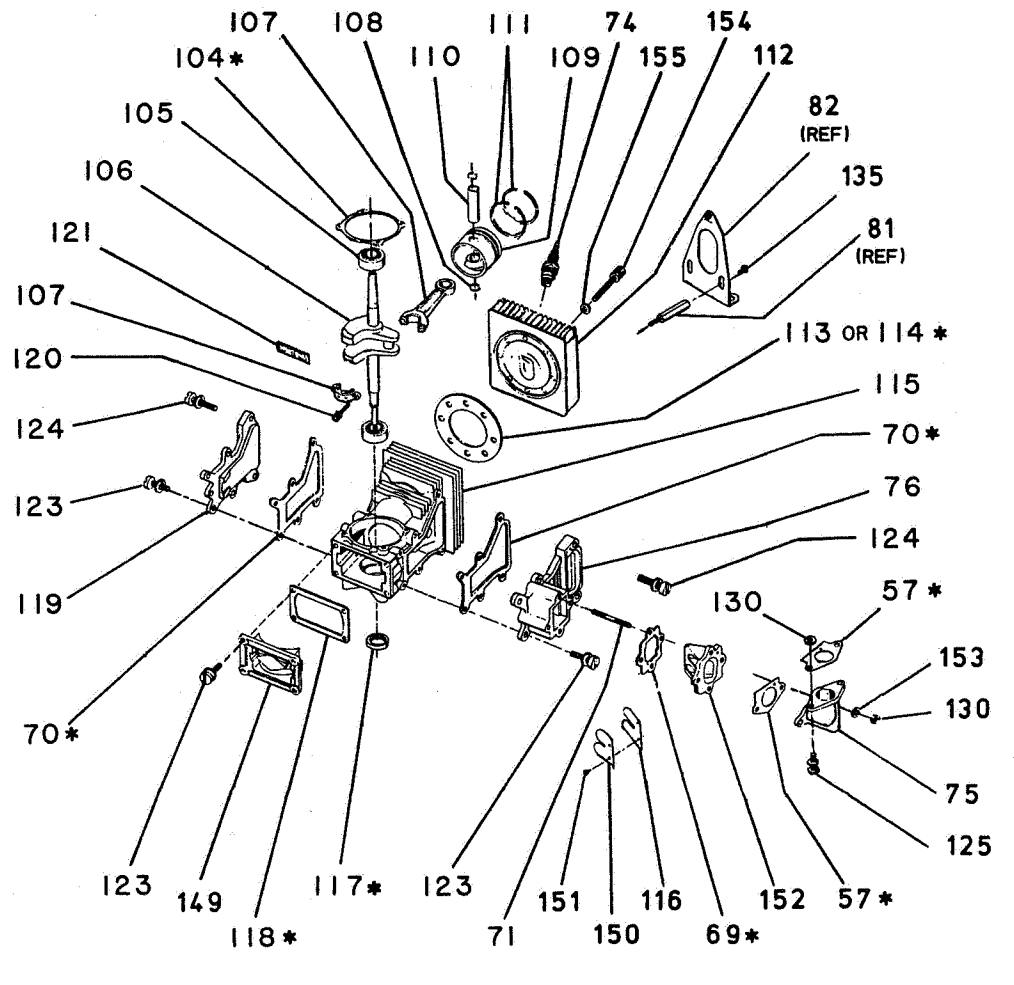
ENGINE PARTS DESIGNATED BY A REF. NO. CAN BE SUPPLIED BY WATEROUS COMPANY OR A U.S. MOTOR POWER BEE DISTRIBUTOR OR DEALER. PARTS WITHOUT A REF. NO. CAN BE SUPPLIED BY U.S. MOTOR POWER ONLY. SEE U.S. POWER'S, OR CHRYSLER'S SERVICE MANUAL FOR INFORMATION ON OBTAINING THESE PARTS.

FLOTO PUMP ASSEMBLY, HIGH PRESSURE
PL 80670
WATEROUS COMPANY
SOUTH ST. PAUL, MN 55075



* INCLUDED IN CARBURETOR REPAIR KIT REF NO. 94

CARBURETOR KIT 94 **CARBURETOR**



56 COMPLETE CARBURETOR
(INCLUDES (I) REF NO. 57,
SEE POWER HEAD DETAIL)

* INCLUDED IN GASKET REPAIR KIT REF. NO. 171

GASKET KIT 171

POWER HEAD

FLOTO PUMP ASSEMBLY, HIGH PRESSURE
PL 80670
WATEROUS COMPANY
SOUTH ST. PAUL, MN 55075