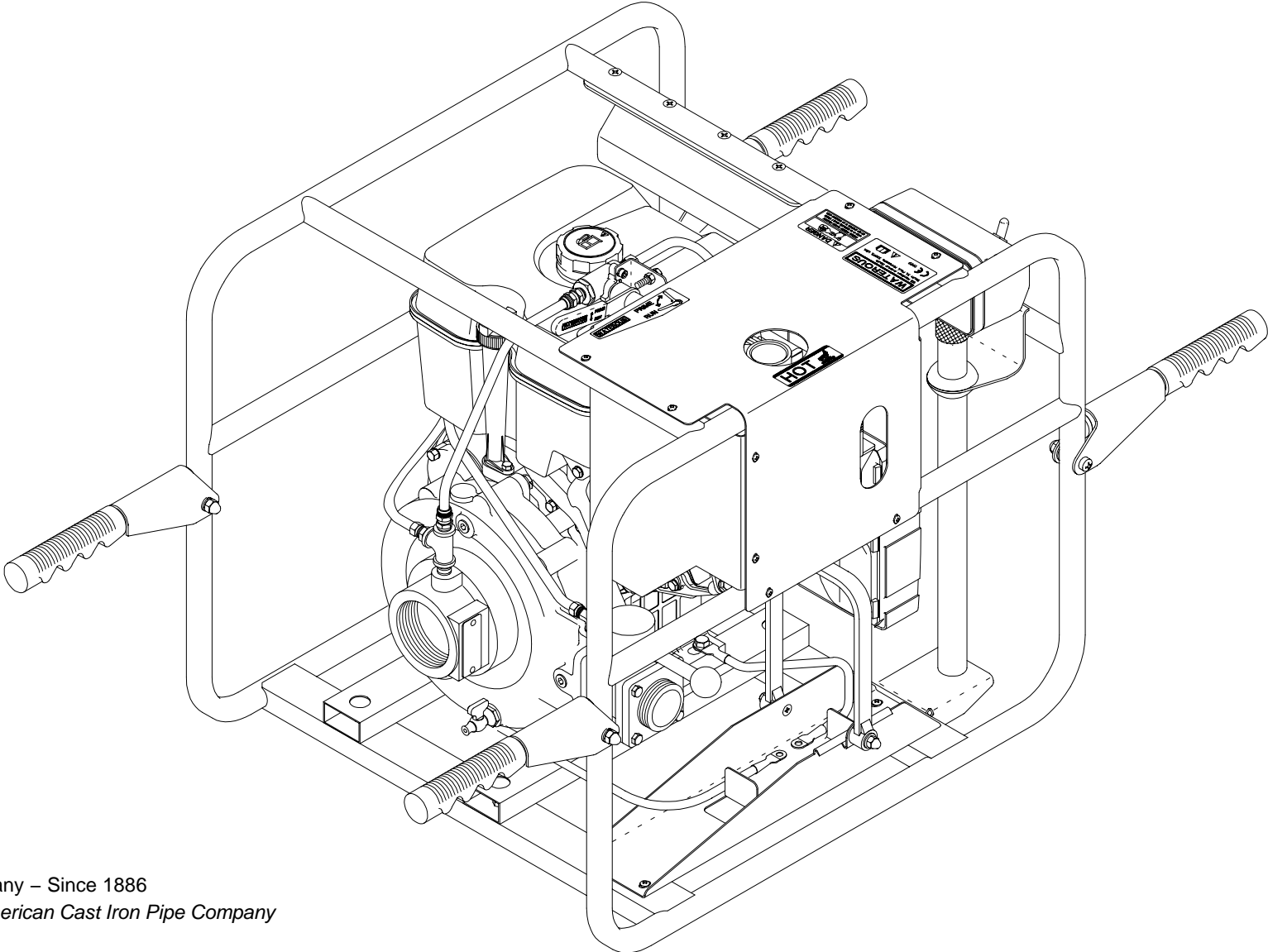




Document Number	Issue Date	Rev. Date
<b>SPL82644</b>	<b>12/05/02</b>	
<b>Model 2515B, 2515F, 2525C, 3025C</b>		

# PB13 Series Fire Pump Service Parts List





# Table of Contents

Model PB13–2515B and PB13–2515F Pumps ..... 2 – 5

Model PB13–2525C and PB13–3025C Pumps ..... 6 – 9

Priming System and Rail Base ..... 10 – 11

Instrument Panel ..... 12 – 13

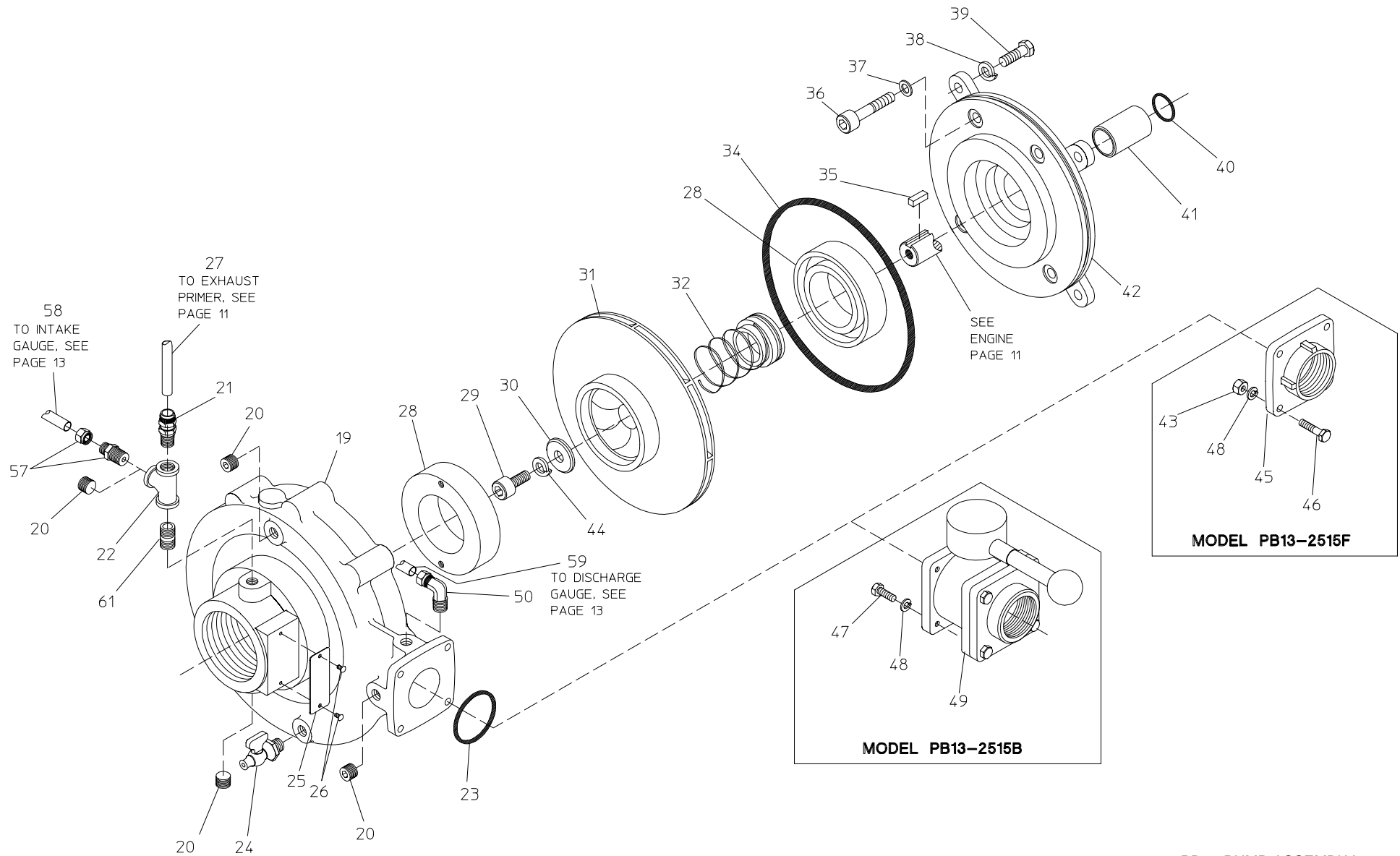
Optional Wrap–Around Base and Optional Mast Light ..... 14 – 15

Wiring Schematic ..... 16 – 17

## Model PB13–2515B & PB13–2515F Pumps

REF. NO.	DESCRIPTION	QTY
19	Volute Body (Includes 28, Wear Ring)	1
20	Pipe Plug, 1/4 in. NPT	3 or 5
21	Tube Connector, 1/4 in. NPT x 3/8 O.D. Tube	1
22	Pipe Tee, 1/4 in. NPT	1
23	O–ring, 2–3/4 x 2–15/16 in.	1
24	Drain Cock, 1/4 in. NPT	1
25	Serial Plate	1
26	Drive Screw, #6 x 1/4 in.	2
27	Poly Tubing, 3/8 O.D.	1
28	Wear Ring	2
29	Socket hd Screw, 7/16 – 20 x 1 in.	1
30	Impeller Washer	1
31	Impeller	1
32	Mechanical Seal	1
34	O–ring, 7–3/4 x 8 in.	1
35	Square Key, 1/4 x 3/4 in.	1
36	Socket hd Screw, 3/8–16 x 2–3/4 in.	4
37	Copper Washer, 3/8 in.	4

REF. NO.	DESCRIPTION	QTY
38	Lock Washer, 3/8 in.	4
39	Hex hd Screw, 3/8–16 x 1 in.	4
40	O–ring, 1 x 1–1/8 in.	1
41	Shaft Sleeve	1
42	Pump to Engine Adapter (Includes 28, Wear Ring)	1
43	Hex Nut, 1/4–20	4
44	Lock Washer, 7/16 in.	1
45	Discharge Adapter	1
46	Hex hd Screw, 1/4–20 x 1–1/4 in.	4
47	Hex hd Screw, 1/4–20 x 3/4 in.	4
48	Lock Washer, 1/4 in.	4
49	Ball Valve, 1–1/2 in. NPT	1
50	90° Male Elbow, 1/4 in. NPT x 1/4 O.D. Tube	1
57	Male Connector, 1/4 in. NPT x 1/4 O.D. Tube	1
58	Nylon Tubing, 1/4 O.D.	1
59	Nylon Tubing, 1/4 O.D.	1
61	Pipe nipple, 1/4 x 7/8 in.	1



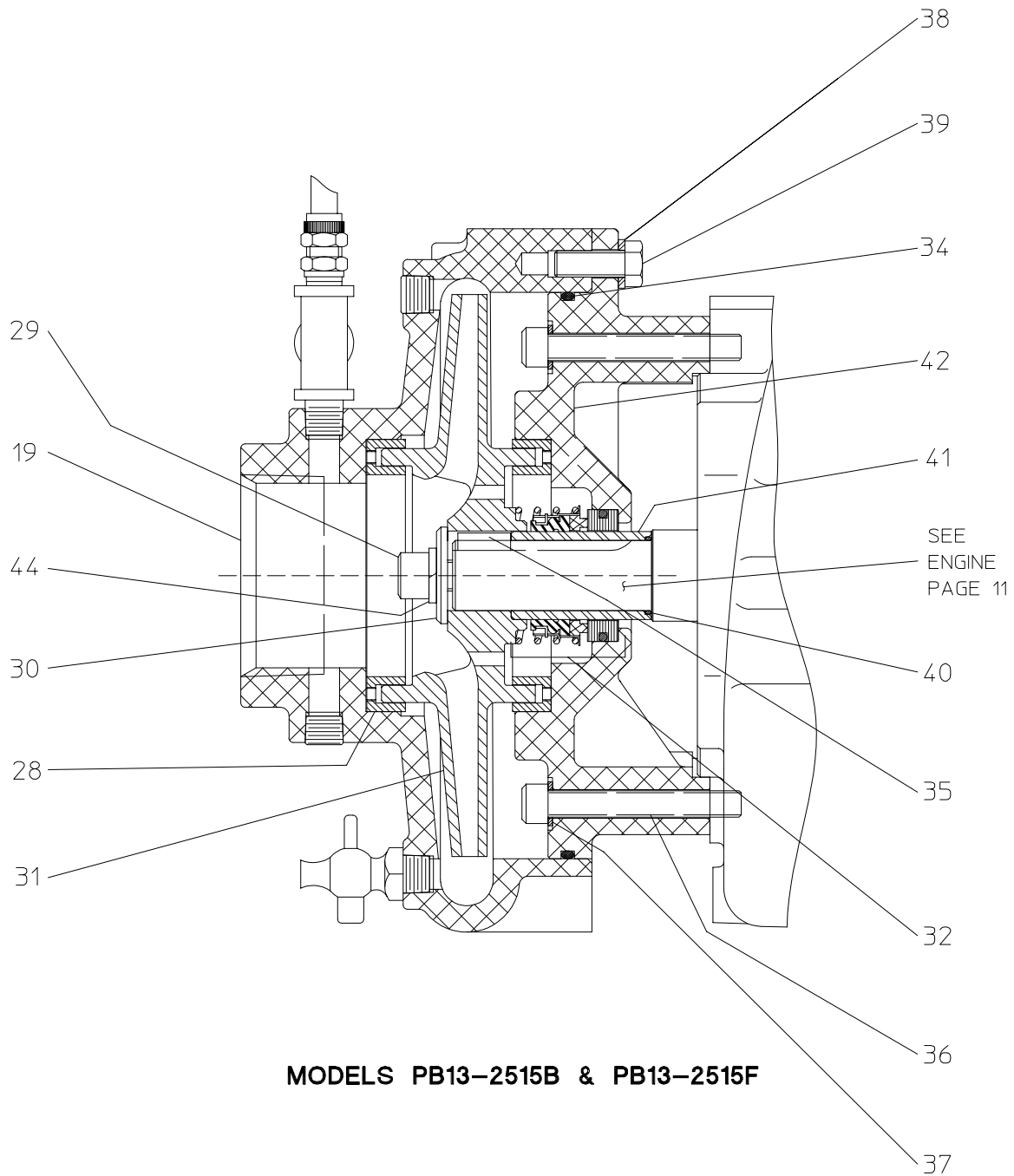
**PUMP ASSEMBLY FOR  
MODELS PB13-2515B & PB13-2515F**  
SEE PAGE 5 FOR CROSS SECTION VIEW

PB13 PUMP ASSEMBLY  
SPL82644  
WATEROUS COMPANY  
SOUTH ST. PAUL, MN 55075  
PAGE 3 OF 17

## Model PB13–2515B & PB13–2515F Pumps

REF. NO.	DESCRIPTION	QTY
19	Volute Body (Includes 28, Wear Ring)	1
28	Wear Ring	2
29	Socket hd Screw, 7/16–20 x 1 in.	1
30	Impeller Washer	1
31	Impeller	1
32	Mechanical Seal	1
34	O–Ring, 7–3/4 x 8	1
35	Square Key, 1/4 x 3/4 in.	1

REF. NO.	DESCRIPTION	QTY
36	Socket hd Screw, 3/8–16 x 2–3/4 in.	4
37	Copper Washer, 3/8 in.	4
38	Lock Washer, 3/8 in.	4
39	Hex hd Screw, 3/8–16 x 1 in.	4
40	O–Ring, 1 x 1–1/8 in.	1
41	Shaft Sleeve	1
42	Pump to Engine Adapter (Includes 28, Wear Ring)	1
44	Lock Washer, 7/16 in.	1



**MODELS PB13-2515B & PB13-2515F**

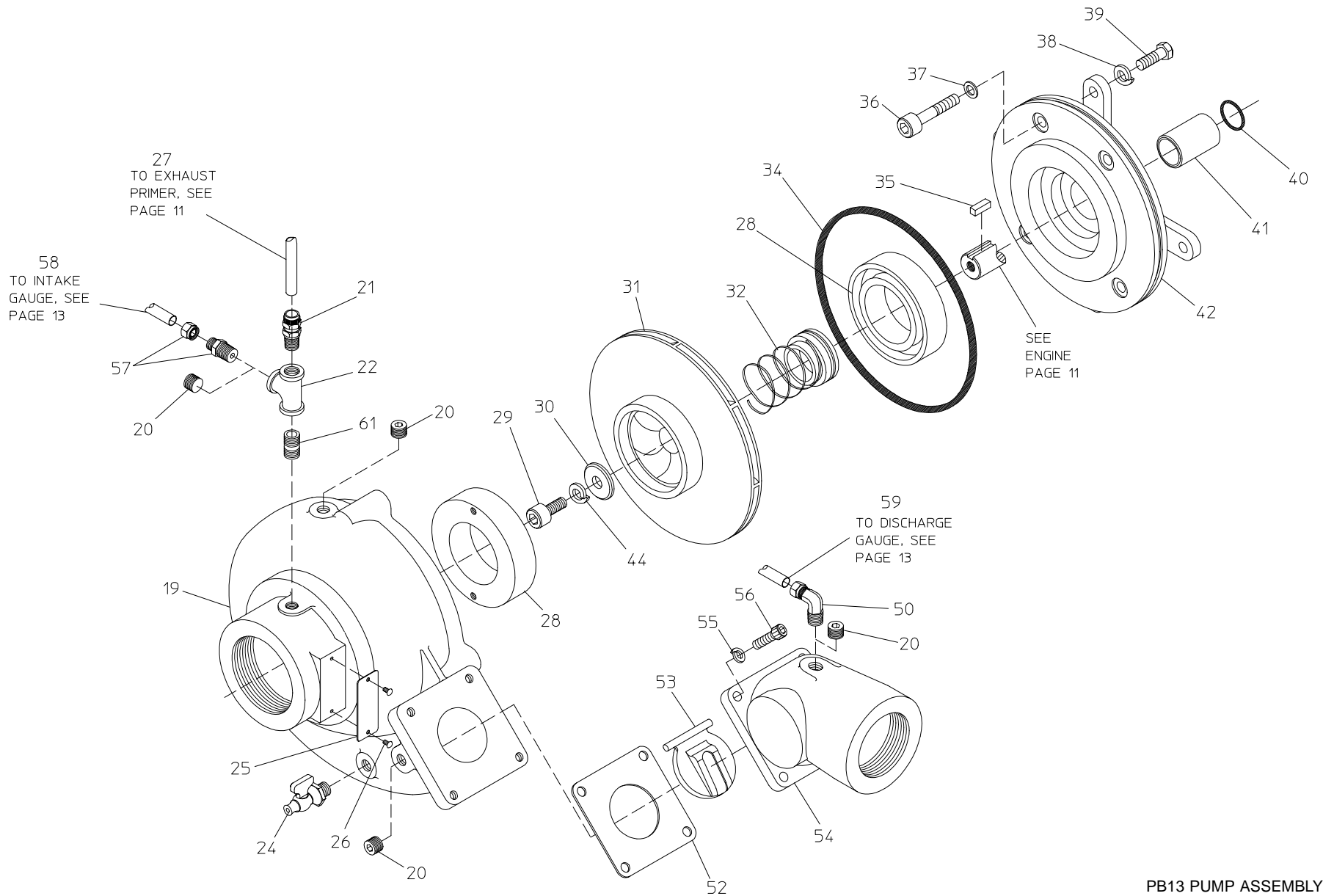
PB13 PUMP ASSEMBLY  
 SPL82644  
 WATEROUS COMPANY  
 SOUTH ST. PAUL, MN 55075  
 PAGE 5 OF 17

## Model PB13–2525C & PB13–3025C Pumps

REF. NO.	DESCRIPTION	QTY
19	Volute Body (Includes 28, Wear Ring)	1
20	Pipe Plug, 1/4 in. NPT	2 or 4
21	Tube Connector, 1/4 in. NPT x 3/8 O.D. Tube	1
22	Pipe Tee, 1/4 in. NPT	1
24	Drain Cock, 1/4 in. NPT	1
25	Serial Plate	1
26	Drive Screw, #6 x 1/4 in.	2
27	Poly Tubing, 3/8 O.D.	1
28	Wear Ring	2
29	Socket hd Screw, 7/16 – 20 x 1 in.	1
30	Impeller Washer	1
31	Impeller	1
32	Mechanical Seal	1
34	O–ring, 7–1/4 x 7–1/2 in.	1
35	Square Key, 1/4 x 3/4 in.	1
36	Socket hd Screw, 3/8–16 x 2–3/4 in.	4
37	Copper Washer, 3/8 in.	4

REF. NO.	DESCRIPTION	QTY
38	Lock Washer, 3/8 in.	4
39	Hex hd Screw, 3/8–16 x 1 in.	4
40	O–ring, 1 x 1–1/8 in.	1
41	Shaft Sleeve	1
42	Pump to Engine Adapter (Includes 28, Wear Ring)	1
44	Lock Washer, 7/16 in.	1
50	90° Male Elbow, 1/4 in. NPT x 1/4 O.D. Tube	1
52	Gasket	1
53	Flap Valve	1
54	Discharge Elbow, 2–1/2 in. NPT	1
55	Lock Washer, 5/16 in.	4
56	Socket hd Screw, 5/16–18 x 1 in.	4
57	Male Connector, 1/4 in. NPT x 1/4 O.D. Tube	1
58	Nylon Tubing, 1/4 O.D.	1
59	Nylon Tubing, 1/4 O.D.	1
61	Pipe nipple, 1/4 x 7/8 in.	1





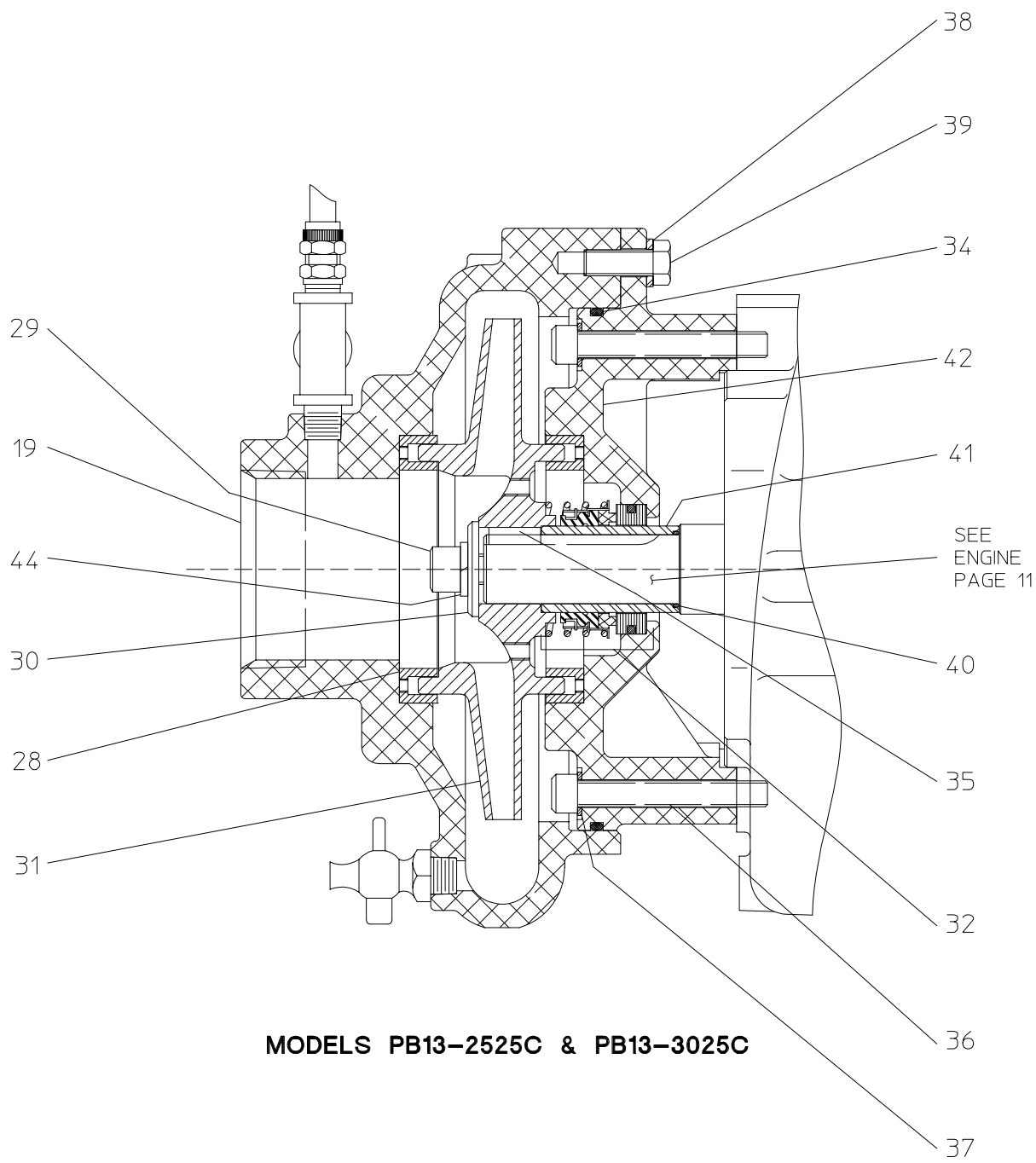
**PUMP ASSEMBLY FOR  
MODELS PB13-2525C & PB13-3025C**  
SEE PAGE 9 FOR CROSS SECTION VIEW

**PB13 PUMP ASSEMBLY**  
SPL82644  
WATEROUS COMPANY  
SOUTH ST. PAUL, MN 55075  
PAGE 7 OF 17

## Model PB13–2525C & PB13–3025C Pumps

REF. NO.	DESCRIPTION	QTY
19	Volute Body (Includes 28, Wear Ring)	1
28	Wear Ring	2
29	Socket hd Screw, 7/16–20 x 1 in.	1
30	Impeller Washer	1
31	Impeller	1
32	Mechanical Seal	1
34	O–Ring, 7–1/4 x 7–1/2 in.	1
35	Square Key, 1/4 x 3/4 in.	1

REF. NO.	DESCRIPTION	QTY
36	Socket hd Screw, 3/8–16 x 2–3/4 in.	4
37	Copper Washer, 3/8 in.	4
38	Lock Washer, 3/8 in.	4
39	Hex hd Screw, 3/8–16 x 1 in.	4
40	O–Ring, 1 x 1–1/8 in.	1
41	Shaft Sleeve	1
42	Pump to Engine Adapter (Includes 28, Wear Ring)	1
44	Lock Washer, 7/16 in.	1



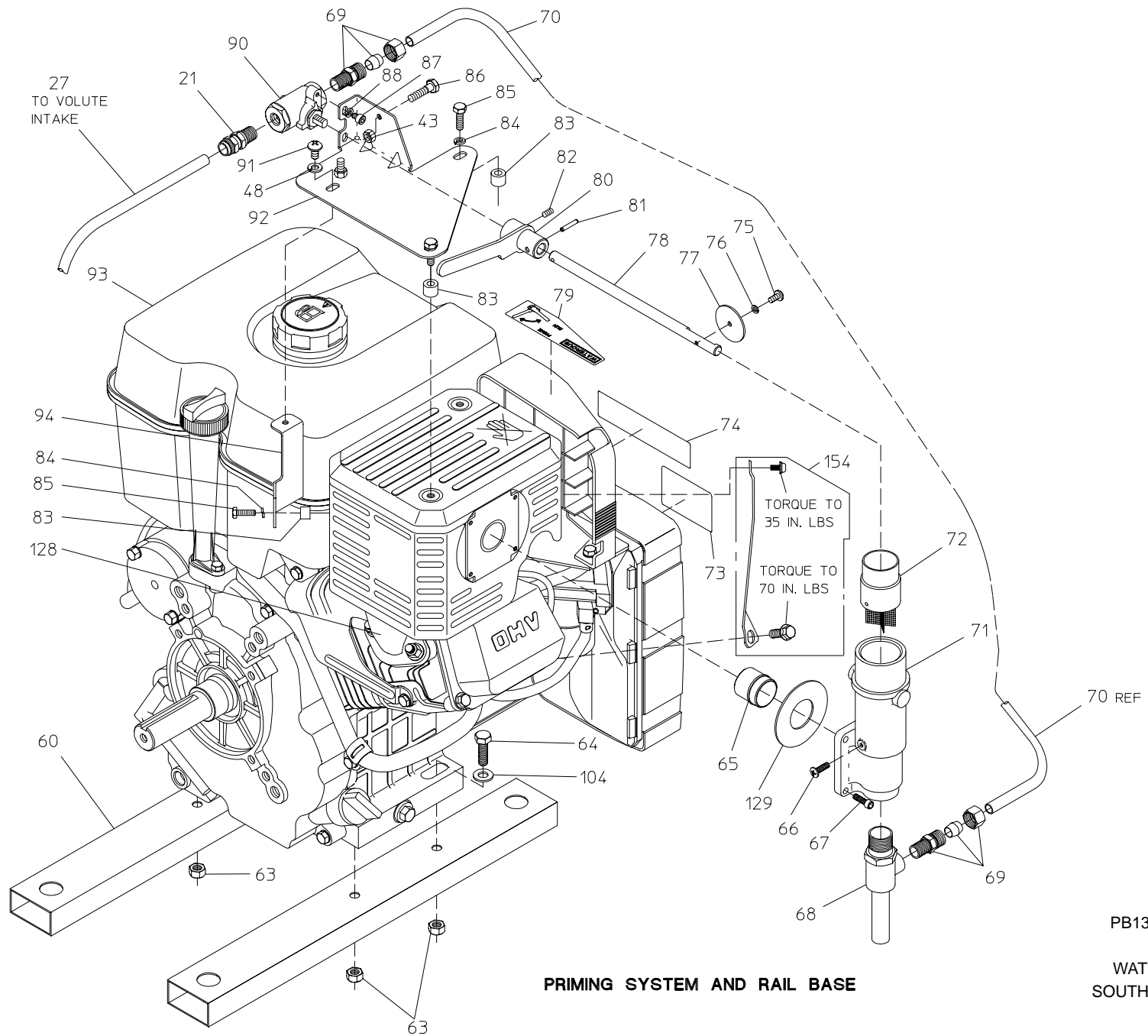
**MODELS PB13-2525C & PB13-3025C**

PB13 PUMP ASSEMBLY  
 SPL82644  
 WATEROUS COMPANY  
 SOUTH ST. PAUL, MN 55075  
 PAGE 9 OF 17

## Priming System & Rail Base

REF. NO.	DESCRIPTION	QTY
21	Tube Connector, 1/4 in. NPT x 3/8 O.D. Tube	1
27	Poly Tubing, 3/8 O.D.	1
43	Hex Nut, 1/4-20	2
48	Lock Washer, 1/4 in.	1
60	Rail Base	2
63	Nylok Nut, 5/16-18	4
64	Hex hd Screw, 5/16-18 x 1-1/2 in.	4
65	Primer Sleeve	1
66	Pan hd Screw #10-24 x 1/2 in.	1
67	Socket hd Screw #10-24 x 5/8 in.	4
68	Exhaust Primer	1
69	Tube Connector, 1/4 in. NPT x 3/8 O.D. Tube	2
70	Primer Tube	1
71	Primer Body	1
72	Spark Arrestor	1
73	Warning Decal	1
74	Waterous Decal	1
75	Pan hd Screw #8-32 x 3/8 in.	1
76	Lock Washer, #8	1
77	Butterfly Valve	1

REF. NO.	DESCRIPTION	QTY
78	Primer Rod	1
79	Primer Decal	1
80	Primer Handle	1
81	Spirol Pin, 1/8 x 3/4 in.	1
82	Set Screw, #10-24 x 3/8 in.	2
83	Primer Spacer	3
84	Lock Washer, 6mm	3
85	Hex hd Screw, M6-1 x 20mm	3
86	Hex hd Screw, 1/4-20 x 1 in.	2
87	Socket hd Screw, #10-24 x 3/8 in.	2
88	Lock Washer, #10	2
90	Ball Valve, 1/4 in. NPT	1
91	Pan hd Scew, 1/4-20 x 1/2 in.	1
92	Primer Base	1
93	13hp Vanguard Engine	1
94	Primer Base Support	1
104	Flat Washer, 5/16 in.	4
128	Muffler	1
129	Primer Gasket	1
154	Muffler Bracket	1



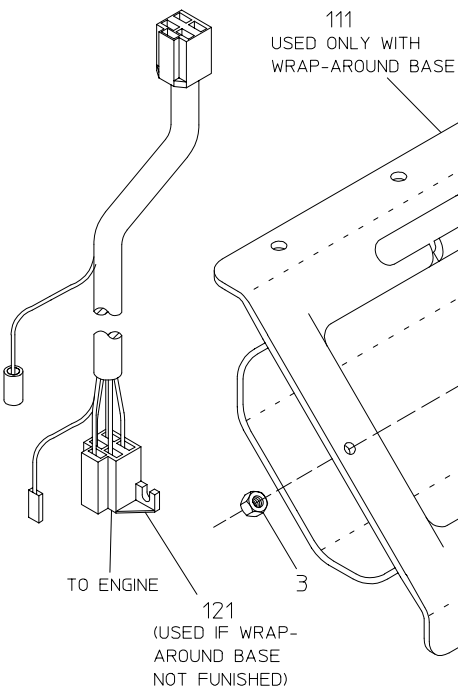
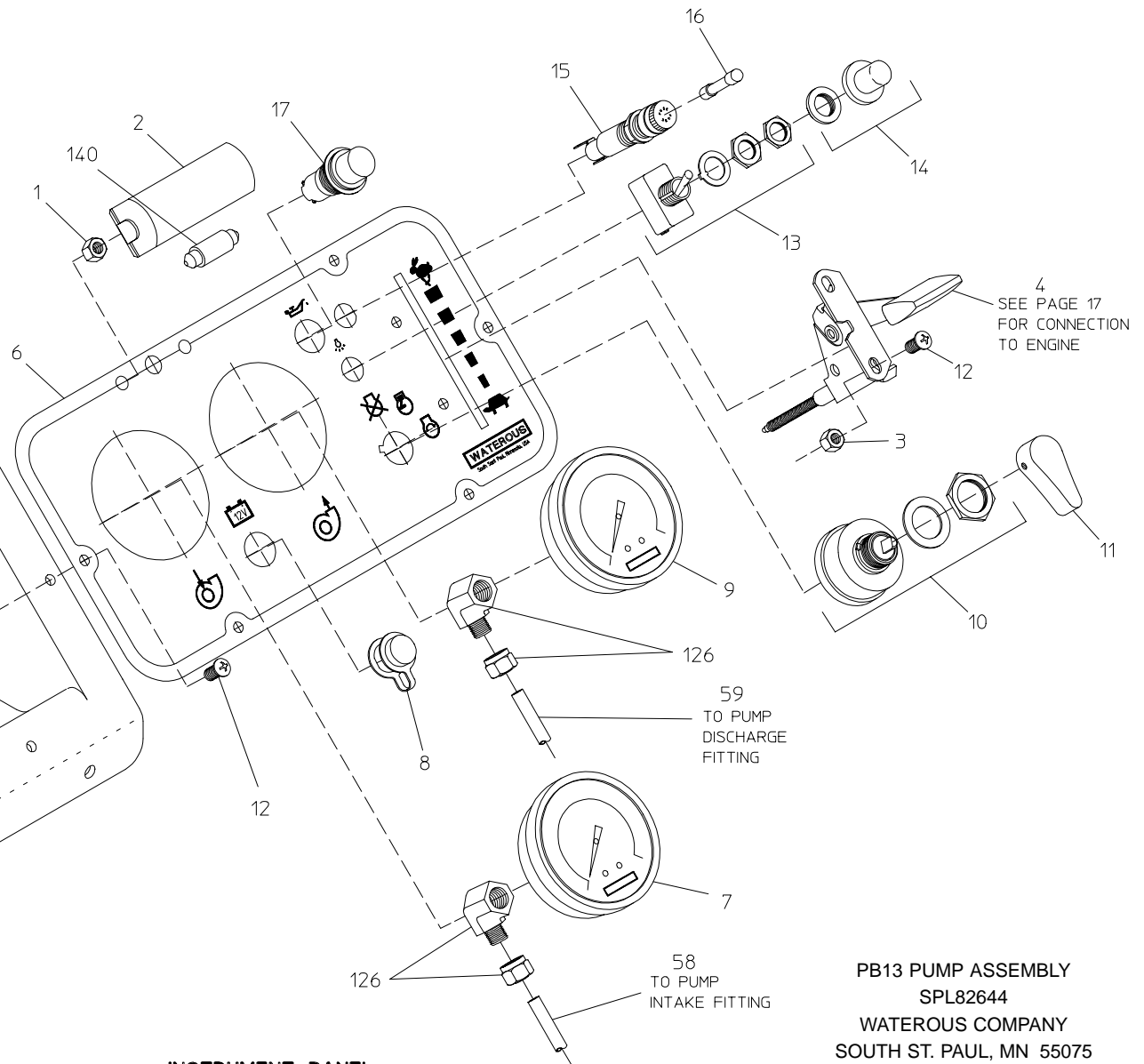
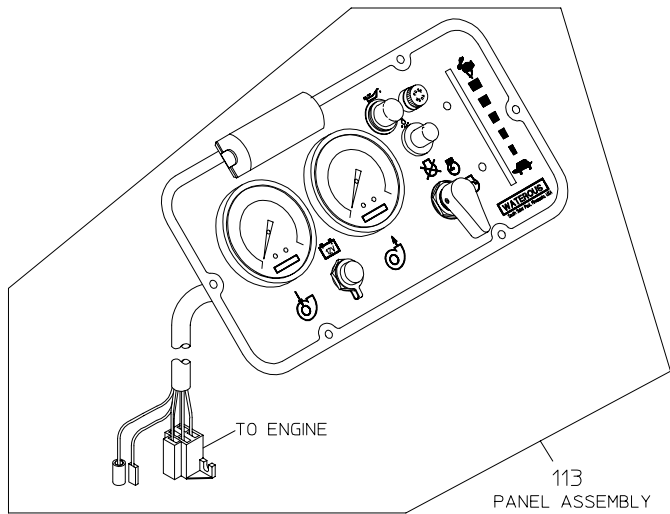
**PRIMING SYSTEM AND RAIL BASE**

PB13 PUMP ASSEMBLY  
 SPL82644  
 WATEROUS COMPANY  
 SOUTH ST. PAUL, MN 55075  
 PAGE 11 OF 17

## Instrument Panel

REF. NO.	DESCRIPTION	QTY
1	Hex Nut, 6mm	2
2	Panel Light	1
3	Nylok Nut , #10-24	2 or 7
4	Throttle Control	1
5	Wiring Harness	1
6	Panel Plate	1
7	Intake Gauge	1
8	Connector Cap	1
9	Discharge Gauge	1
10	Ignition Switch	1
11	Switch Knob	1
12	Pan hd Screw, #10-24 x 1/2 in.	2 or 7
13	Light Switch	1

REF. NO.	DESCRIPTION	QTY
14	Switch Seal	1
15	Fuse Holder	1
16	5 Amp Fuse	1
17	Oil Light	1
43	Hex Nut, 1/4-20	1
58	Nylon Tubing, 1/4 O.D.	1
59	Nylon Tubing, 1/4 O.D.	1
111	Panel Insert	1
113	Panel Assembly	1
121	Harness Extension	1
126	90° Female Elbow	2
140	12 Volt / 5 Watt Bulb	1



**INSTRUMENT PANEL**

**PB13 PUMP ASSEMBLY  
SPL82644  
WATEROUS COMPANY  
SOUTH ST. PAUL, MN 55075  
PAGE 13 OF 17**

## Optional Wrap-Around Base

REF. NO.	DESCRIPTION	QTY
55	Lock Washer, 5/16 in.	4
62	Hex hd Screw, 5/16-18 x 3/4 in.	4
63	Nylok Nut , 5/16-18	4
73	Decal - Warning	1
79	Decal - Primer	1
95	Battery Tray	1
96	Pan hd Screw, 1/4-20 x 3/4 in.	4
97	Nylok Nut, 1/4-20	13
98	Nylon Washer, 5/16 in.	8
99	End Plug	4
100	Pan hd Screw, 5/16-18 x 1-3/4 in.	4
101	Carry Handle	4
102	Grip	4
103	Acorn Nut, 5/16-18	4

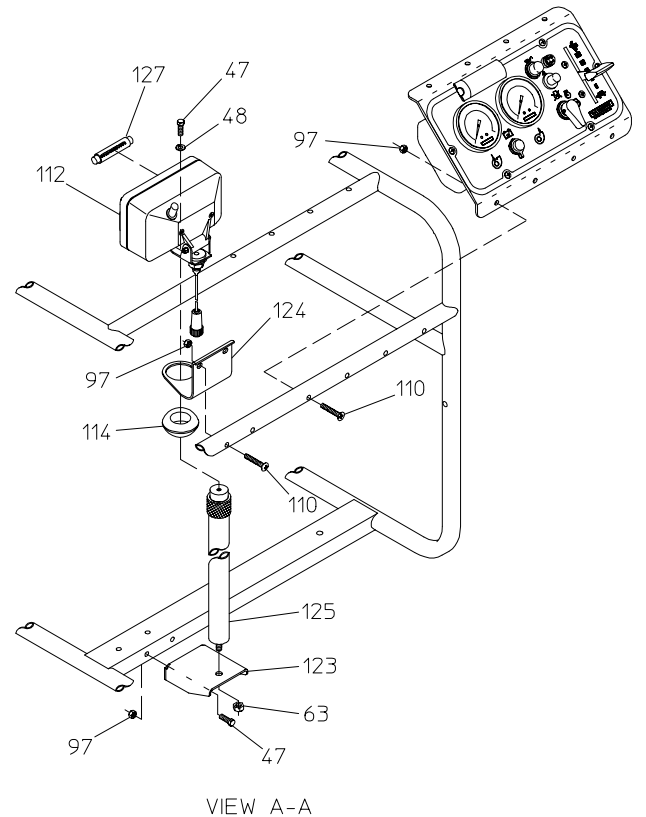
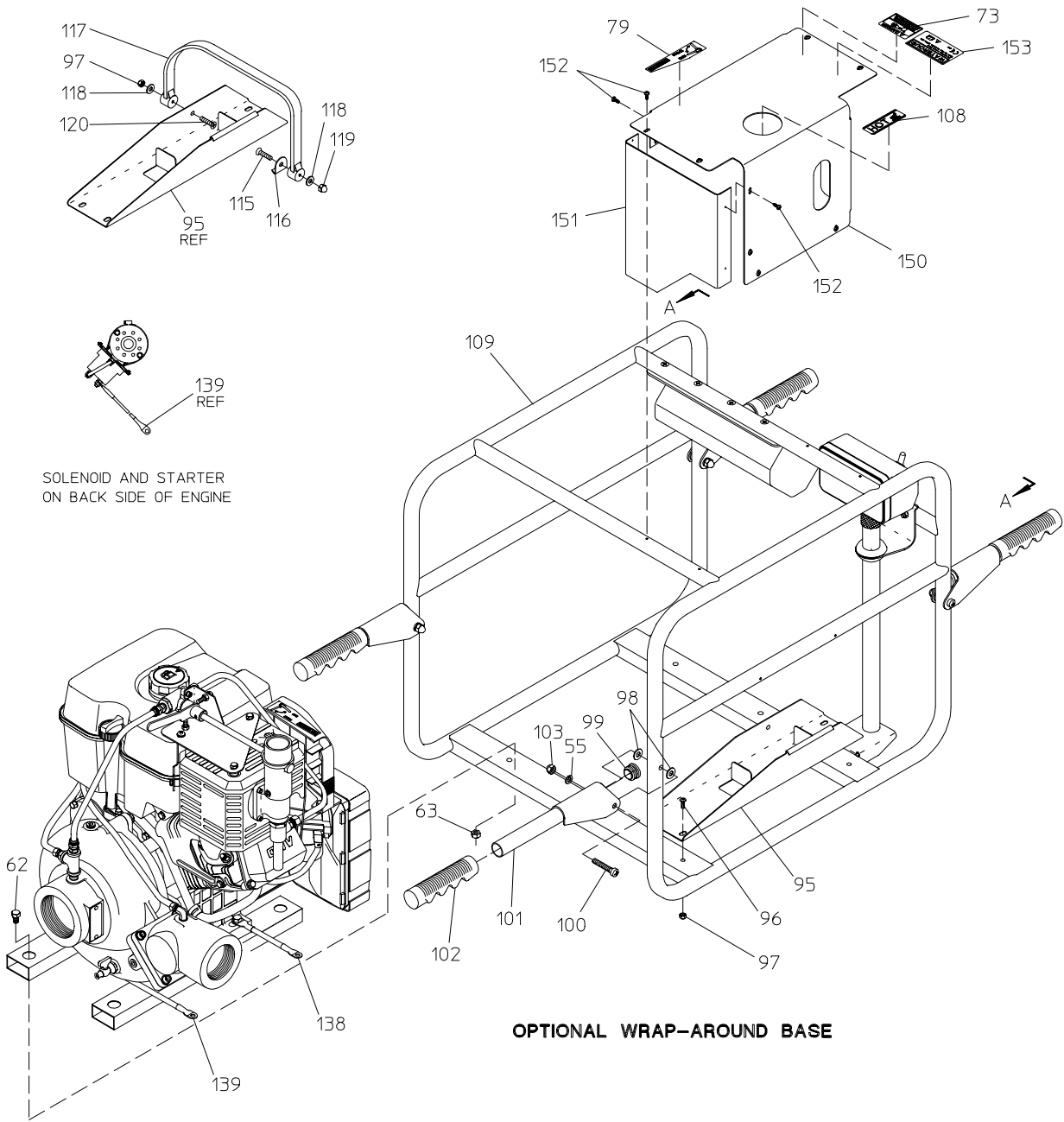
REF. NO.	DESCRIPTION	QTY
108	Hot Decal	1
109	Wrap-Around Frame	1
110	Oval hd Screw, 1/4-20 x 1-1/2 in.	8
115	Pan hd Screw, 1/4-20 x 1 in.	1
116	Strap Clip	1
117	Battery Strap	1
118	Flat Washer, 1/4 in.	2
119	Acorn Nut, 1/4-20	1
120	Flat hd Screw, 1/4-20 x 1 in.	1
138	Negative Battery Cable	1
139	Positive Battery Cable	1
150	Shield - Heat	1
151	Shield - Heat	1
152	Screw - Pan Hd, Self - Tap, #8-18 x 1/2	10
153	Decal - CE Marking	1

## Optional Mast Light

REF. NO.	DESCRIPTION	QTY
47	Hex hd Screw, 5/16-18 x 3/4 in.	3
48	Lock Washer, 1/4 in.	1
63	Nylok Nut, 5/16-18	1
97	Nylok Nut, 1/4-20	4
110	Oval hd Screw, 1/4-20 x 1-1/2 in.	2
112	Mast Light	1

REF. NO.	DESCRIPTION	QTY
114	Rubber Grommet	1
123	Mast Light Base	1
124	Mast Bracket	1
125	Telescoping Mast	1
127	12 Volt / 50 Watt Bulb	1



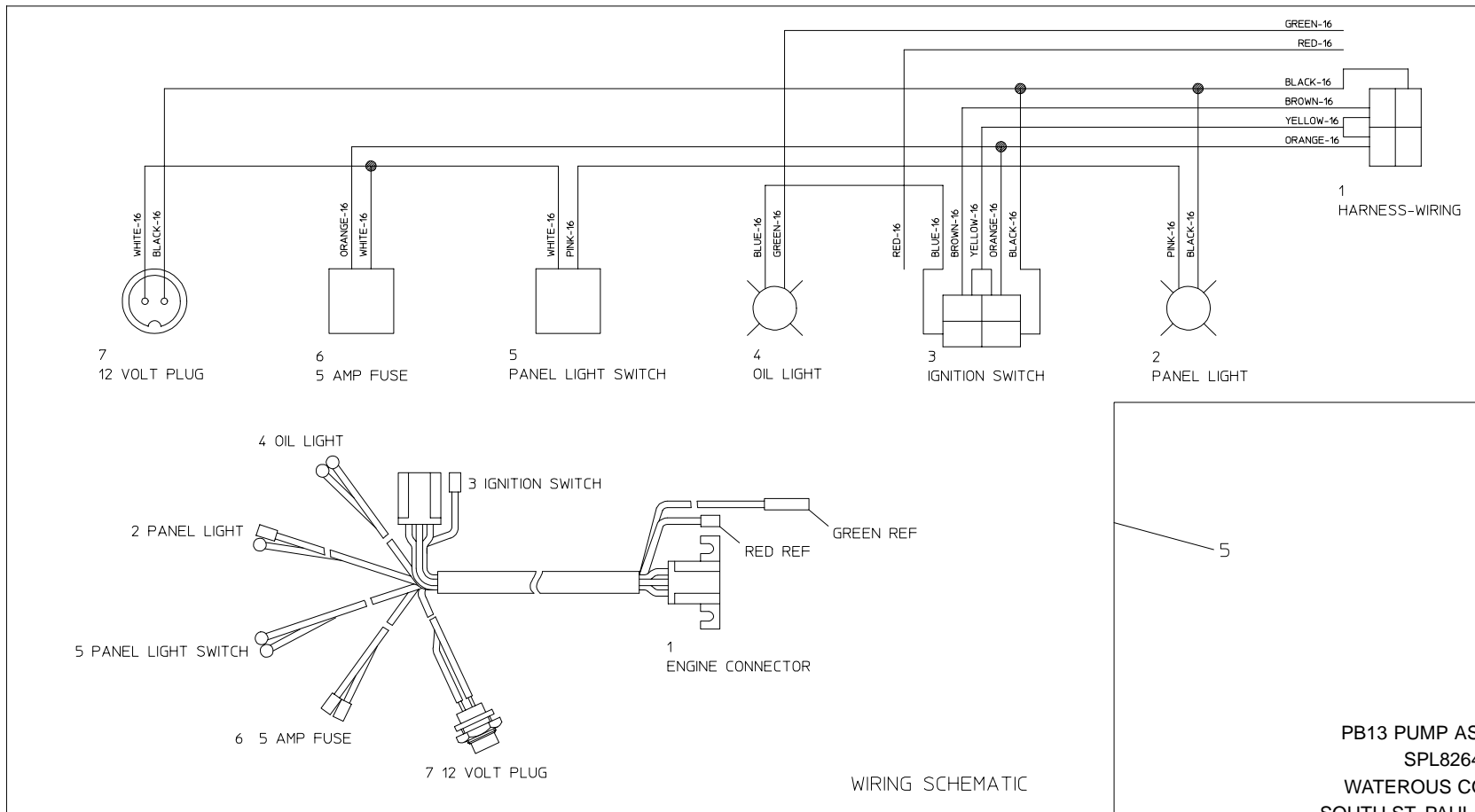
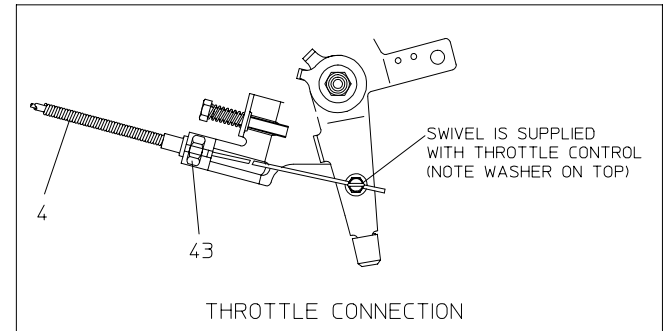
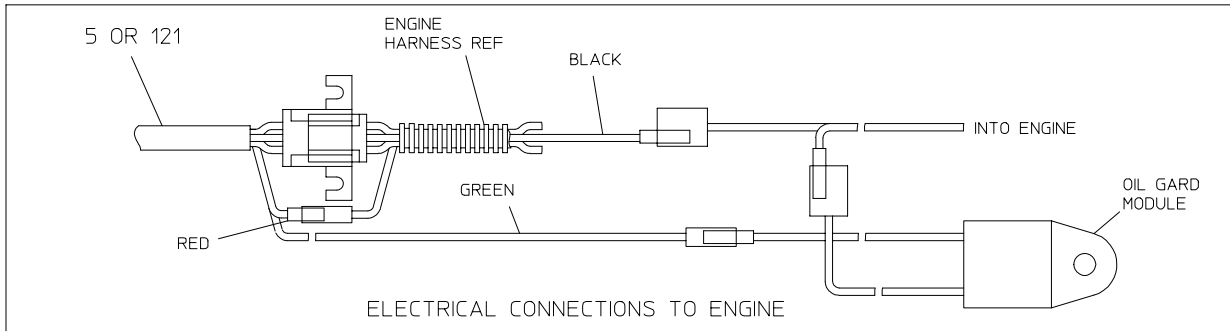


**OPTIONAL MAST LIGHT** PB13 PUMP ASSEMBLY  
SPL82644  
WATEROUS COMPANY  
SOUTH ST. PAUL, MN 55075  
PAGE 15 OF 17

## Wiring Schematic

REF. NO.	DESCRIPTION	QTY
4	Throttle Control	1
5	Wiring Harness	1

REF. NO.	DESCRIPTION	QTY
43	Hex Nut, 1/4-20	1
121	Harness Extension	1



**WATEROUS**

125 Hardman Avenue South, South St. Paul, Minnesota 55075-2456 USA (651) 450-5000