

Issued: 9/76
Revised: 02/03/03

W A T E R O U S

WATEROUS COMPANY
SOUTH ST. PAUL, MINNESOTA

ELECTRIC TRANSFER VALVE ASSEMBLY (BOTTOM MOUNTED)

REF NO.	DESCRIPTION	REF NO.	DESCRIPTION
A3	Power cable, indicator lights	A45	Pivot pin, 5/8 x 2-9/16
A4	Circuit breaker, 12V, 15 amp	A46	Universal joint
A6	Valve operating arm subassembly (includes A62)	A50	Manual override rod
A7	Pivot block adjusting bushing	A56	Plain washer, 5/8 in.
A8	Pivot block	A57	Sector gear
A16	Panel plate (switch)	A61	Wire, indicating light
A17	Wiring harness	A62	Pivot pin bearing (part of A6, available individually for repairs)
A18	Green indicator light (VOLUME) (includes A27)	A65	Cotter pin, SS, 1/8 x 1 in.
A19	Amber indicator light (PRESSURE) (includes A27)	A67	Roll pin, SS, 1/4 x 1-1/8 in.
A21	Three-position switch, DPDT	A70	Cotter pin, SS, 3/32 x 3/4 in.
A22	Hex nut, No. 8-32 (not furnished by Waterous after 5/15/88)	A71	Plain washer, 3/8 in.
A23	Rd hd screw, SS, No. 8-32 x 3/8 in. (not furnished by Waterous after 5/15/88)	A73	Cap screw, zinc plated, 5/16-18 x 1-3/4 in.
A24	Lock washer, No. 8 (not furnished by Waterous after 5/15/88)	A76	Switch wire
A25	Tube clamp, wire harness	A77	Power cable, actuator
A27	Position indicator bulb (included with A18 and A19)	A79	Remote control bearing (part of A81, available individually for repairs)
A30	Hex jam nut, SS, 1/4-20 (A82 after 4/7/92)	A81	Remote control body assembly (includes A79)
A31	Hex jam nut, zinc plated, 5/16-18	A82	Hex nut, SS, 1/4-20
A33	Hex nut, No. 10-32 (Not furnished separately by Waterous after 7/12/89, part of A4)	A83	Lock washer, 1/4 in.
A34	Plain brass washer, 5/16 in.	A84	Rd hd screw, SS, 1/4-20 x 3/4 in.
A37	Rd hd screw, No. 10-24 x 3/8 in.	A87	Control shaft
A40	Lock washer, No. 10 (Not furnished separately by Waterous after 7/12/89, part of A4)	A88	Control crank, manual override
		A89	Plain washer, SS, 5/8 in.
		A91	Actuator motor replacement kit (Contains motor, coupling, and brake)

PLEASE NOTE

WHEN ORDERING PARTS PLEASE SUPPLY PUMP SERIAL NUMBER

SPL80946

PAGE 1 OF 7

ELECTRIC TRANSFER VALVE ASSEMBLY (BOTTOM MOUNTED)

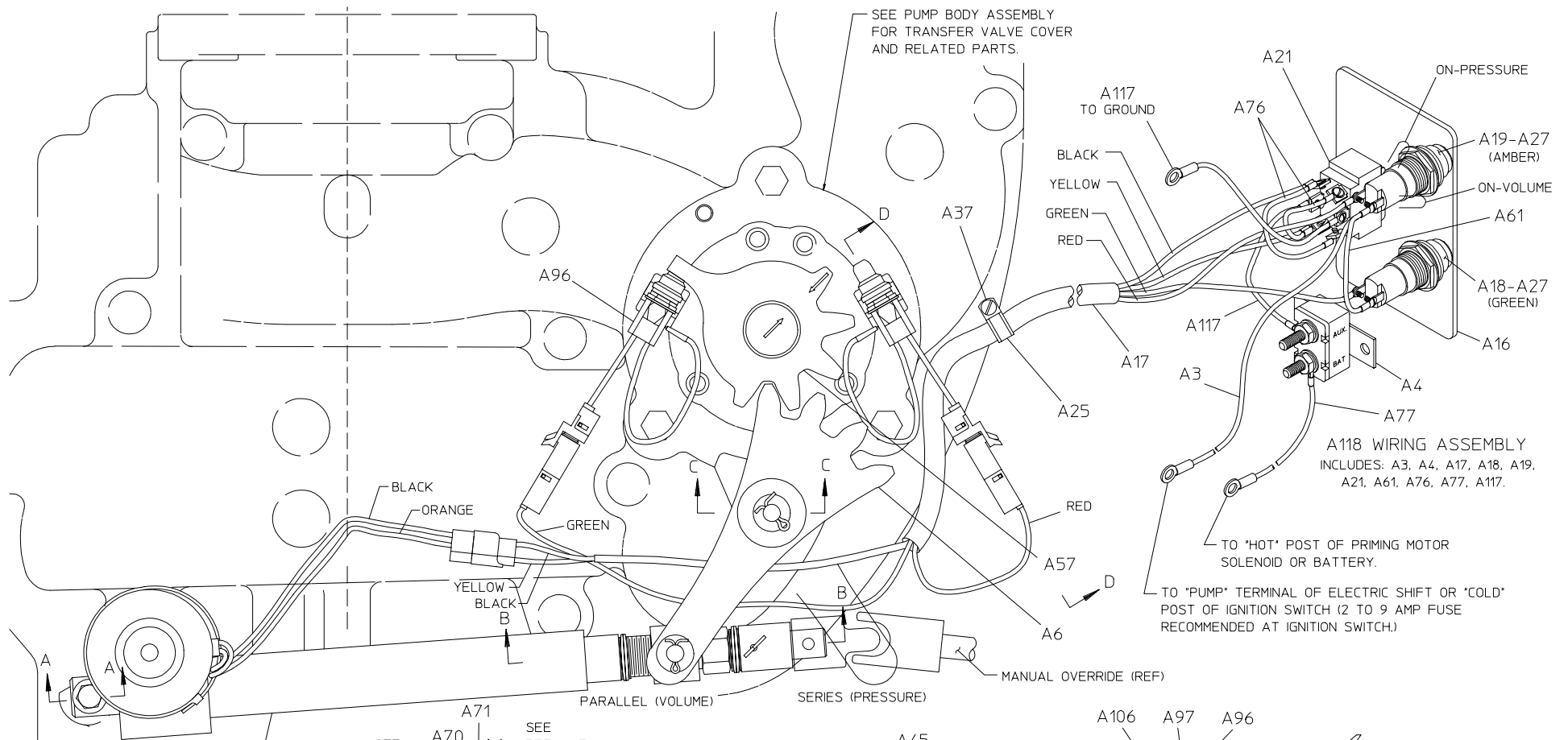
REF NO.	DESCRIPTION	REF NO.	DESCRIPTION
A92	Actuator motor coupling (part of A107, available individually for repairs)	A108	Tube assembly, override
A96	Switch assembly	A116	Panel plate (manual override)
A97	Switch bracket	A117	Wire assembly
A98	Ground wire (not used after 5/4/92)	A118	Wiring assembly (includes A3, A4, A17, A18, A19, A21, A61, A76, A77 and A117)
A99	Flat hd screw, SS, 1/4-20 x 1 in.	A119	Thrust race washer
A100	Cup point headless set screw, 1/4-20 x 1/4 in. HT	A126	Actuator gearbox (part of A107, available individually for repairs)
A102	Actuator end fitting	A127	Actuator, less motor (part of A107, available individually for repairs)
A104	Spring washer (Belleville)		
A105	Cotter pin, SS, 1/8 x 1-1/2 in.		
A106	Switch seal		
A107	Actuator subassembly (includes A7, A8, A100, A102, A104, A105, A119, A126 & A127)		

PLEASE NOTE**WHEN ORDERING PARTS PLEASE SUPPLY PUMP SERIAL NUMBER**

SPL80946

PAGE 2 OF 7

REV: 02/03/03



SEE PUMP BODY ASSEMBLY FOR TRANSFER VALVE COVER AND RELATED PARTS.

A118 WIRING ASSEMBLY INCLUDES: A3, A4, A17, A18, A19, A21, A61, A76, A77, A117.

TO 'HOT' POST OF PRIMING MOTOR SOLENOID OR BATTERY.
TO 'PUMP' TERMINAL OF ELECTRIC SHIFT OR 'COLD' POST OF IGNITION SWITCH (2 TO 9 AMP FUSE RECOMMENDED AT IGNITION SWITCH)

1/32 IN. CLEARANCE REQUIRED TO ALLOW ACTUATOR TO PIVOT FREELY ON HEX HEAD SCREW

SECTION A-A

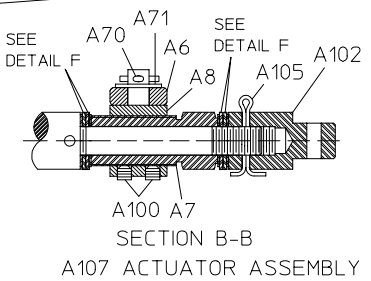
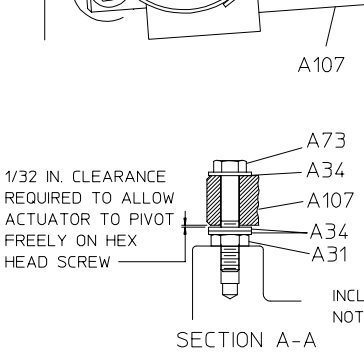
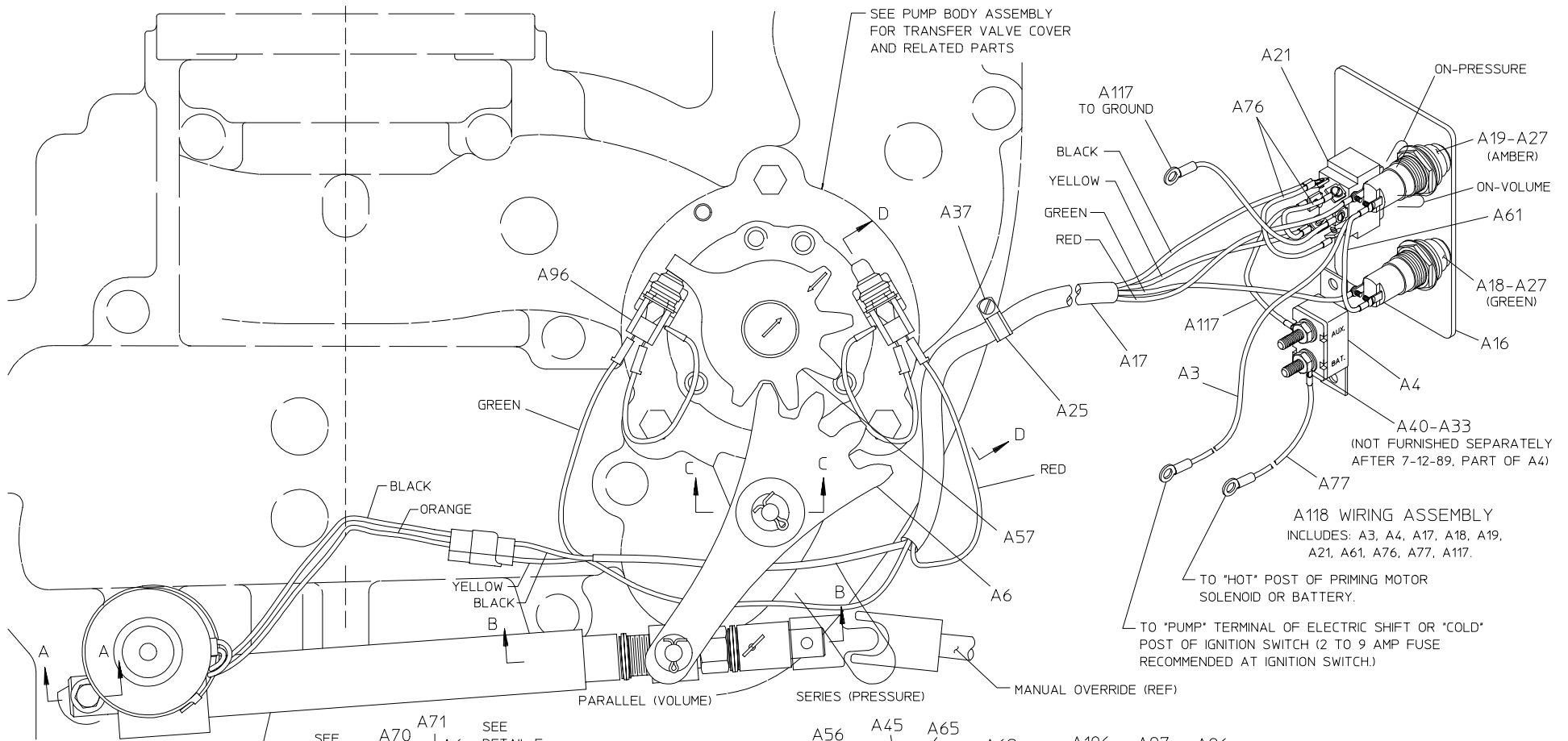
A107 ACTUATOR ASSEMBLY

INCLUDES A7, A8, A100, A102, A104, A105, A119, A126 & A127.
NOTE: IF PIVOT BLOCK (A8) IS REPLACED, FREE PLAY OF SECTOR (A57) MUST BE ADJUSTED AS INDICATED ON NEXT TO LAST PAGE, DETAIL E.

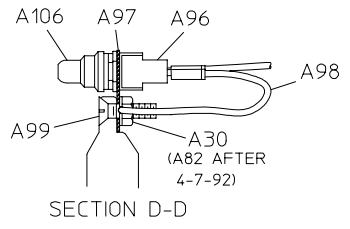
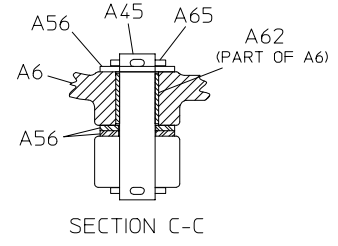
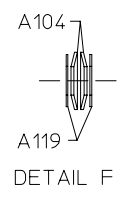
SECTION C-C

SECTION D-D

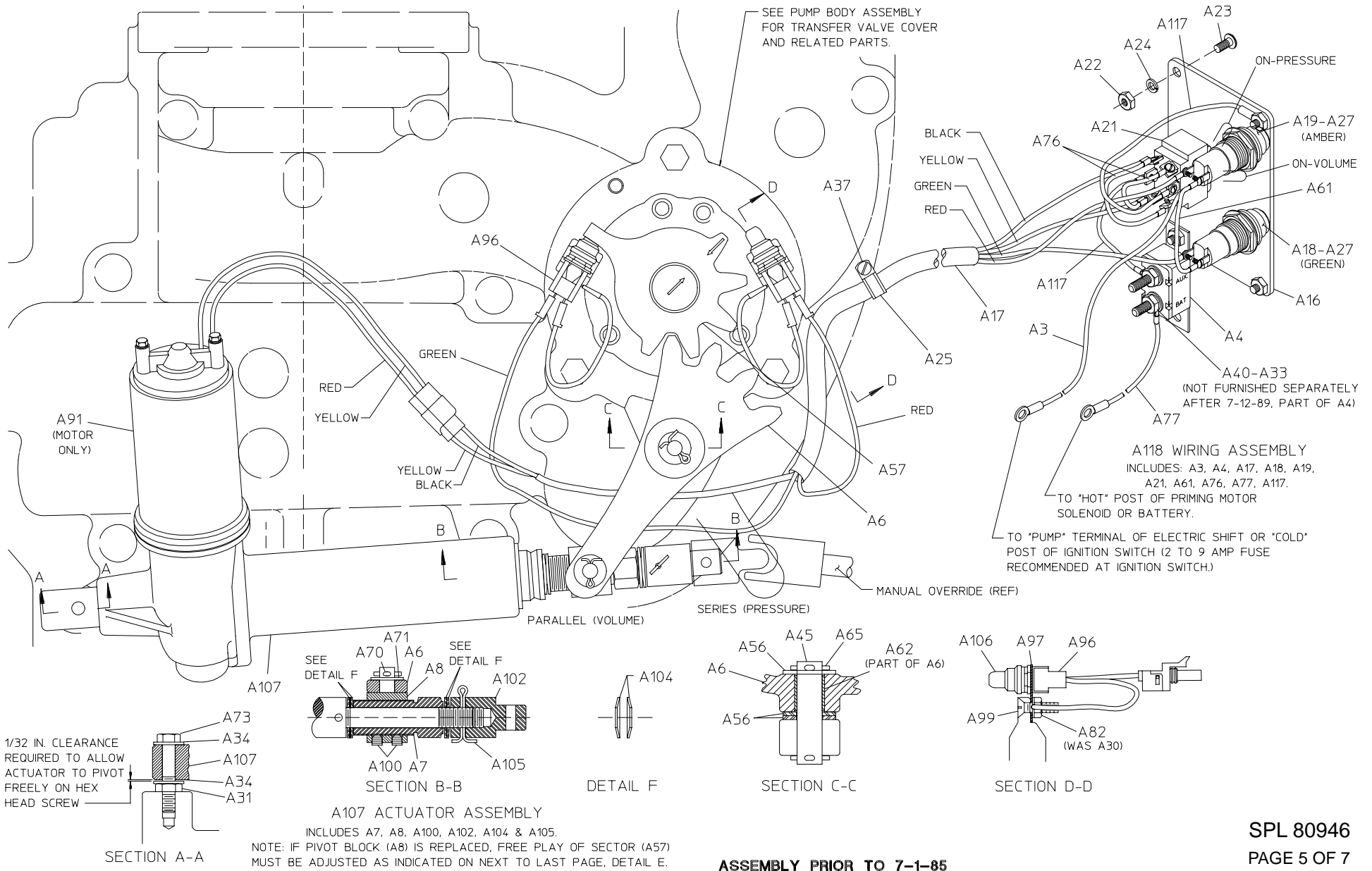
CURRENT ASSEMBLY - AFTER 5-4-92

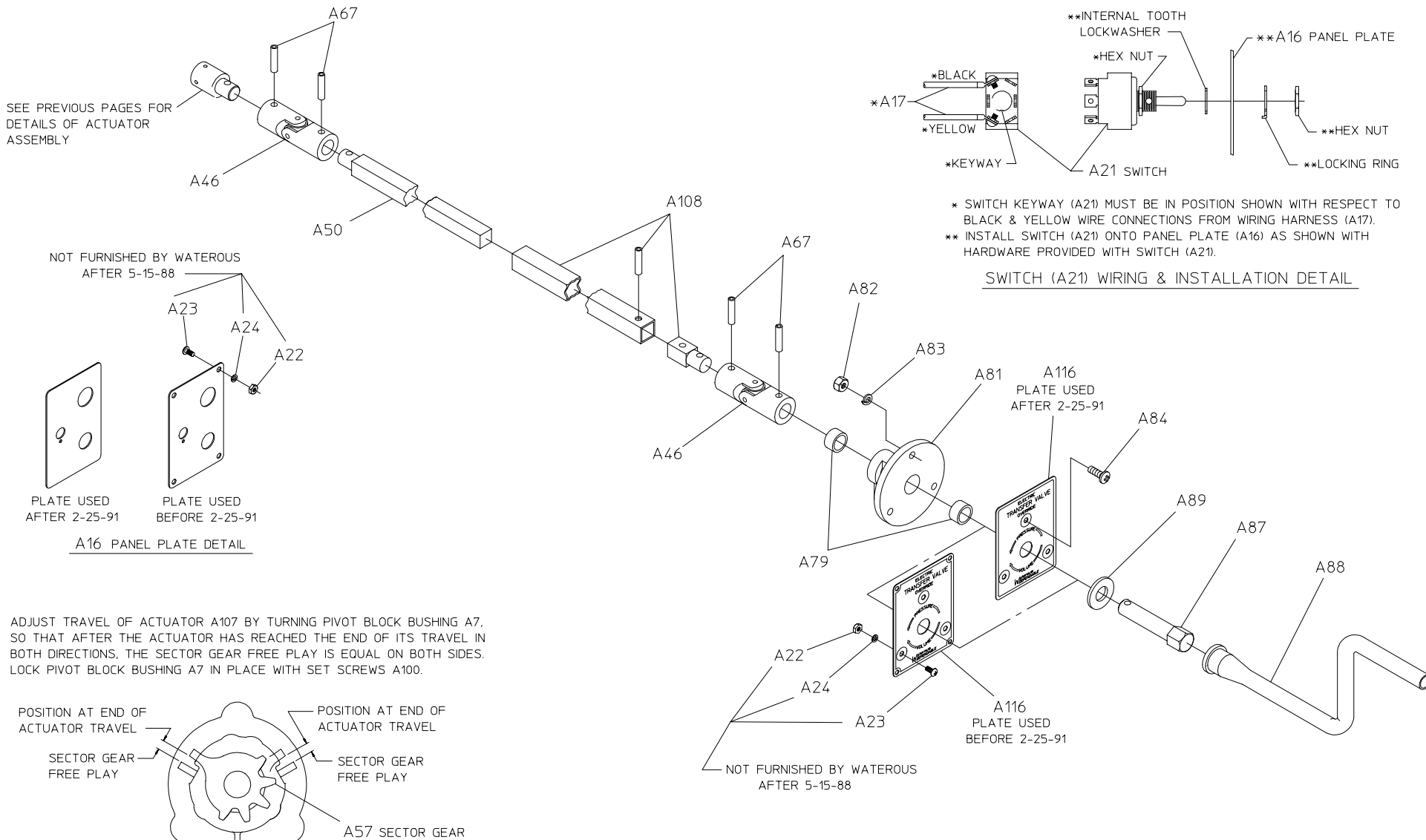


INCLUDES A7, A8, A100, A102, A104, A105, A119, A126 & A127.
 NOTE: IF PIVOT BLOCK (A8) IS REPLACED, FREE PLAY OF SECTOR (A57) MUST BE ADJUSTED AS INDICATED ON NEXT TO LAST PAGE, DETAIL E.

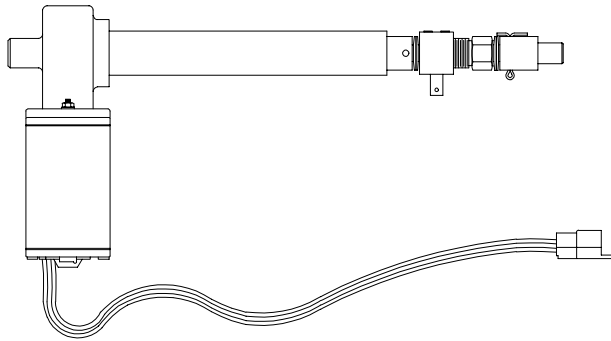


ASSEMBLY FROM 7-1-85 TO 5-4-92

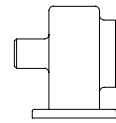




MANUAL OVERRIDE ASSEMBLY



A107
(COMPLETE ACTUATOR ASSEMBLY)



A126
(GEARBOX ONLY)



A127
(ACTUATOR, LESS MOTOR ONLY)

