

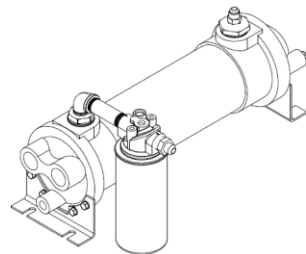


|                 |                 |               |
|-----------------|-----------------|---------------|
| Document Number | Issue Date      | Rev. Date     |
| <b>SPL83294</b> | <b>11/18/13</b> | <b>8/8/16</b> |

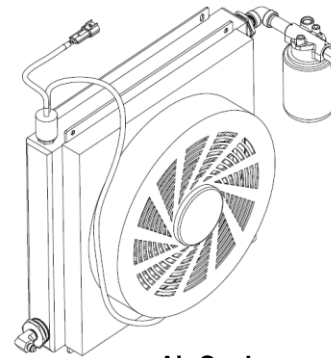
## Oil Cooler Service Parts List

Index:

| Model            |                   |   |   | See Pages    |            |
|------------------|-------------------|---|---|--------------|------------|
| PTO Kits         |                   | PTO Systems   |   | Water Cooler | Air Cooler |
| Traditional CAFS | Generated CAFS    | Traditional CAFS  | Generated CAFS  |              |            |
| 80-P             | -                 | -   | -   | 2, 3         | 8, 9       |
| 100-B            | -                 | 250-100-P<br>500-100-P<br>750-100-P<br>1000-100-P<br>1250-100-P<br>250-120-P<br>500-120-P | -   | 4, 5         | 10, 11     |
| 140-P<br>200-P   | 150-OS<br>150-ECL | 500-150-P<br>750-150-P<br>1000-150-P<br>1250-150-P  | 750-150-OS<br>1000-150-OS<br>1250-150-OS<br>750-150-ECL<br>1000-150-ECL<br>1250-150-ECL | 6, 7         |            |



**Water Cooler**



**Air Cooler**

**Waterous Company 125 Hardman Avenue South, South St. Paul, Minnesota 55075 USA (651) 450-5000**

**Note: When ordering parts, provide Pump, Transmission or PTO Serial Number.**

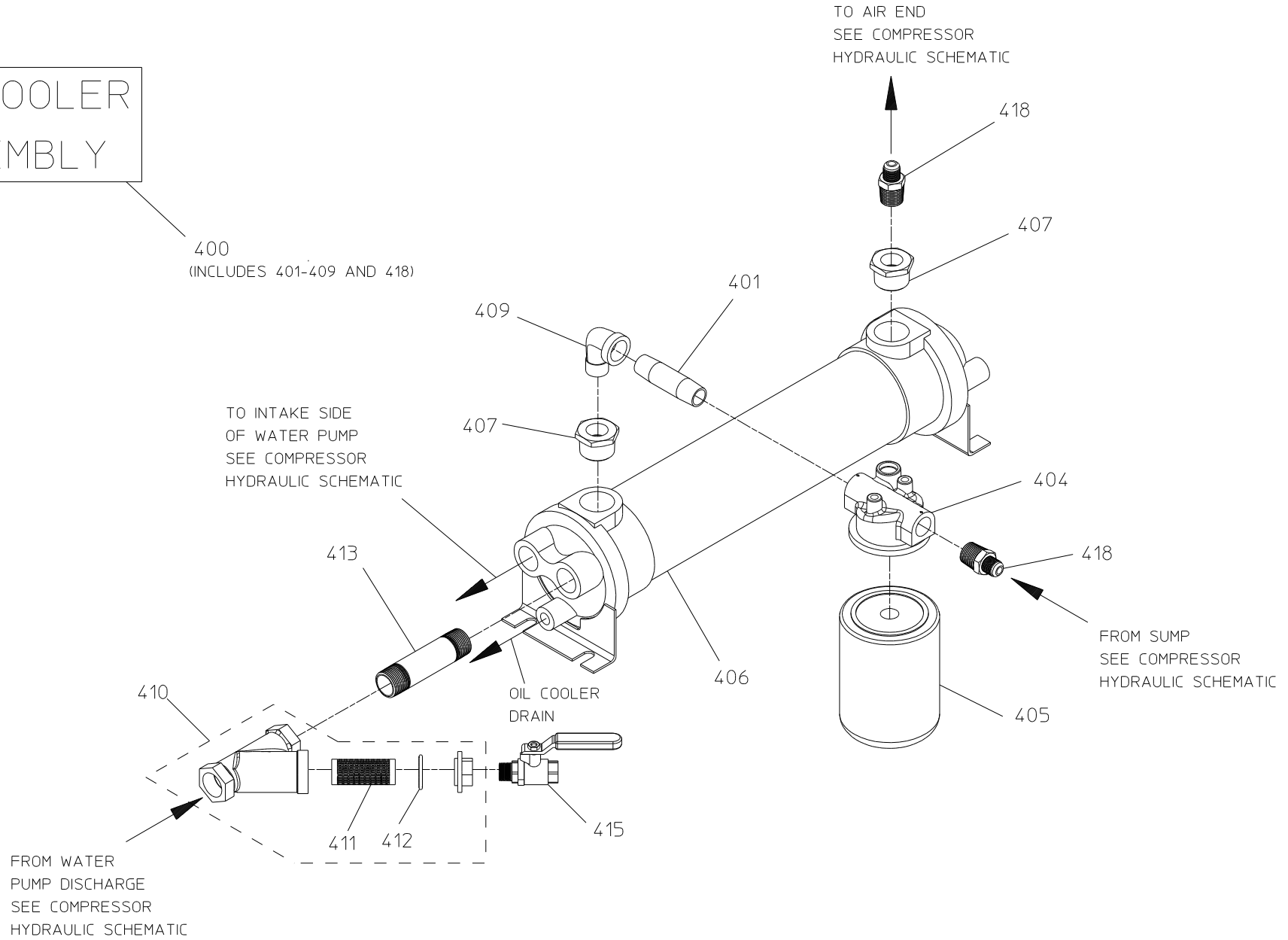
## Water Cooler Model 80-P

| REF.<br>NO. | DESCRIPTION   |
|-------------|---|
| 400         | Oil Cooler Assembly (Includes 401 thru 409 and 418)   |
| 401         | Pipe Nipple, ½ NPT x 3 in.                            |
| 404         | Medium Filter Head                                    |
| 405         | Oil Filter, WD920                                     |
| 406         | Medium Iron Cooler (Includes Brackets and Pipe Plugs) |
| 407         | Reducing Bushing, 1 NPT x ½ NPT (Brass)               |
| 409         | 90 Degree Street Elbow, ½ NPT                         |

| REF.<br>NO. | DESCRIPTION                                |
|-------------|--|
| 410         | Wye Strainer, ¾ in. (Includes 411 and 412) |
| 411         | Strainer Screen, ¾ in.                     |
| 412         | Strainer Gasket, ¾ in.                     |
| 413         | Pipe Nipple, ¾ NPT x 4 in. (Brass)         |
| 415         | Ball Valve, ½ FNPT x ½ MNPT                |
| 418         | Straight Adapter, 6 MJIC x ½ MNPT          |

OIL COOLER ASSEMBLY

400  
(INCLUDES 401-409 AND 418)



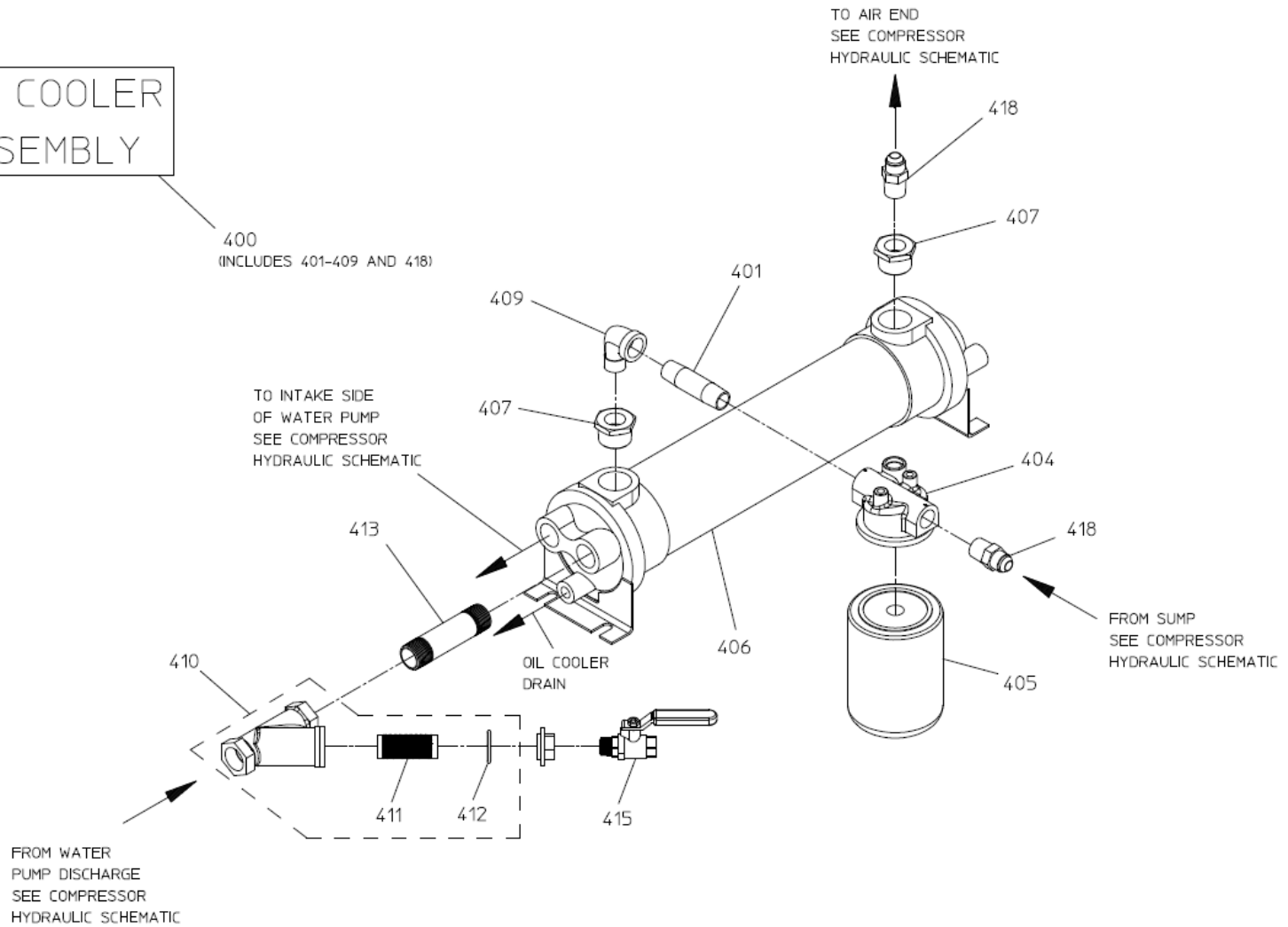
**WATER COOLER**  
MODEL 80-P

**Water Cooler – Model 100-B**  
 Models Ending with 100-P, 120-P

| REF. NO. | DESCRIPTION   |
|----------|---|
| 400      | Oil Cooler Assembly (Includes 401 thru 409 and 418)   |
| 401      | Pipe Nipple, ½ NPT x 3 in.                            |
| 404      | Medium Filter Head                                    |
| 405      | Oil Filter, WD920                                     |
| 406      | Medium Iron Cooler (Includes Brackets and Pipe Plugs) |
| 407      | Reducing Bushing, 1 NPT x ½ NPT (Brass)               |
| 409      | 90 Degree Street Elbow, ½ NPT                         |

| REF. NO. | DESCRIPTION                                |
|----------|--|
| 410      | Wye Strainer, ¾ in. (Includes 411 and 412) |
| 411      | Strainer Screen, ¾ in.                     |
| 412      | Strainer Gasket, ¾ in.                     |
| 413      | Pipe Nipple, ¾ NPT x 4 in. (Brass)         |
| 415      | Ball Valve, ½ FNPT x ½ MNPT                |
| 418      | Straight Adapter, 8 MJIC x ½ MNPT          |

OIL COOLER ASSEMBLY



WATER COOLER

MODEL 100-B  
MODELS ENDING IN 100-P, 120-P

## Water Cooler

Models 140-P, 200-P, 150-OS, 150-ECL  
Models Ending with 150-P, 150-OS, 150-ECL

| REF. NO. | DESCRIPTION  |
|----------|--|
| 400      | Oil Cooler Assembly (Includes 401 thru 409)          |
| 401      | Pipe Nipple, ¾ NPT x 4 in.                           |
| 402      | Straight Adapter, 8 MJIC x ¾ MNPT                    |
| 404      | Large Filter Head                                    |
| 405      | Oil Filter, WD962                                    |
| 406      | Large Iron Cooler (Includes Brackets and Pipe Plugs) |
| 407      | Reducing Bushing, 1-1/2 NPT x ¾ NPT (Brass)          |
| 408      | Reducing Bushing, 1-1/2 NPT x ½ NPT (Brass)          |
| 409      | 90 Degree Street Elbow, ¾ NPT                        |

| REF. NO. | DESCRIPTION                                |
|----------|--|
| 410      | Wye Strainer, 1 in. (Includes 411 and 412) |
| 411      | Strainer Screen, 1 in.                     |
| 412      | Strainer Gasket, 1 in.                     |
| 413      | Pipe Nipple, 1 NPT x 3 in. (Brass)         |
| 415      | Ball Valve, ½ FNPT x ½ MNPT                |
| 418      | Straight Adapter, 8 MJIC x ½ MNPT          |
| 436      | Drain Cock, 3/8 NPT                        |

**OIL COOLER ASSEMBLY**

400  
(INCLUDES 401-409, AND 418)

TO AIR END  
SEE COMPRESSOR  
HYDRAULIC SCHEMATIC

TO INTAKE SIDE  
OF WATER PUMP  
SEE COMPRESSOR  
HYDRAULIC SCHEMATIC

FROM SUMP  
SEE COMPRESSOR  
HYDRAULIC SCHEMATIC

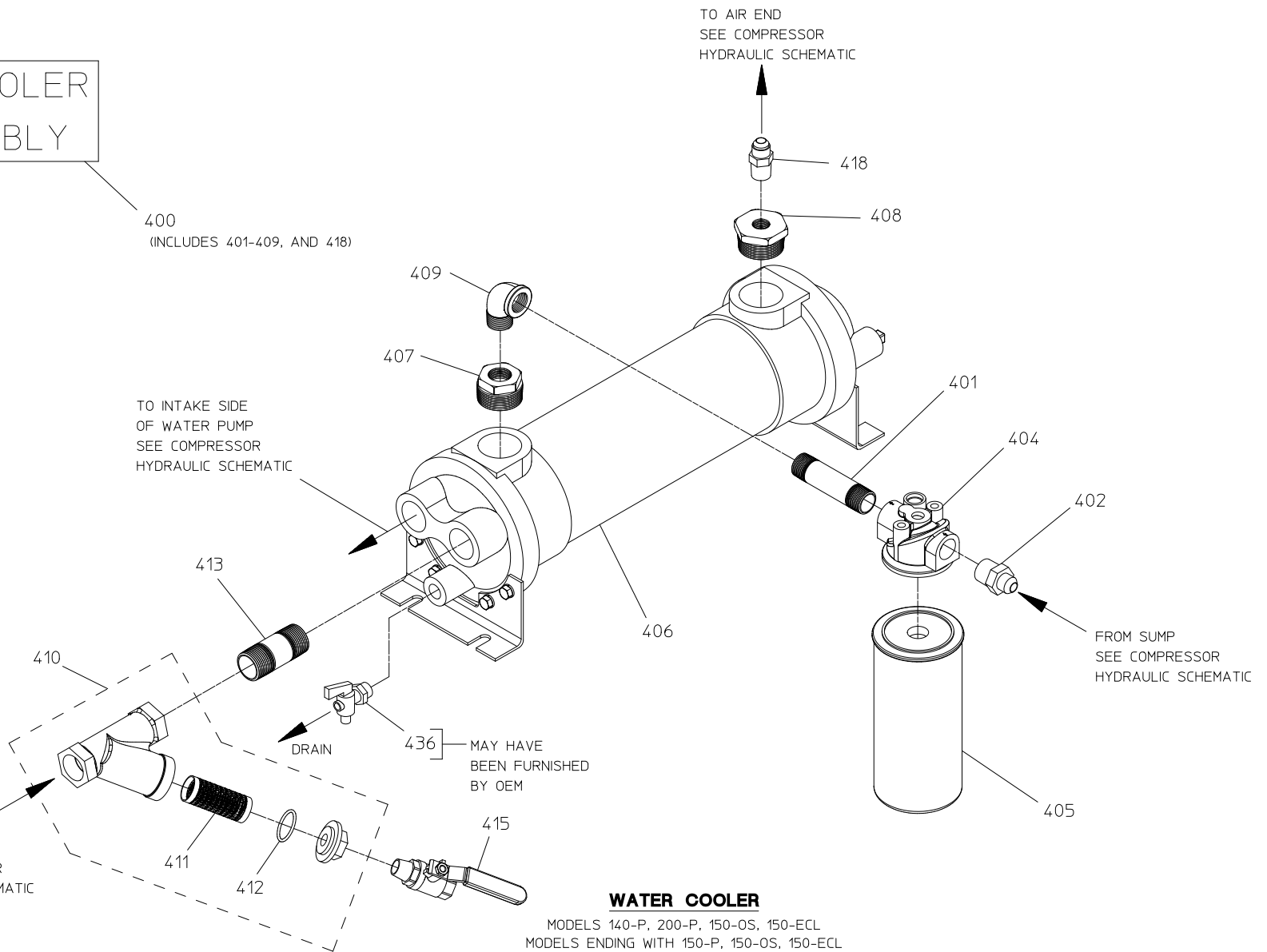
FROM WATER  
PUMP DISCHARGE  
SEE COMPRESSOR  
HYDRAULIC SCHEMATIC

DRAIN

436  
MAY HAVE  
BEEN FURNISHED  
BY OEM

**WATER COOLER**

MODELS 140-P, 200-P, 150-OS, 150-ECL  
MODELS ENDING WITH 150-P, 150-OS, 150-ECL



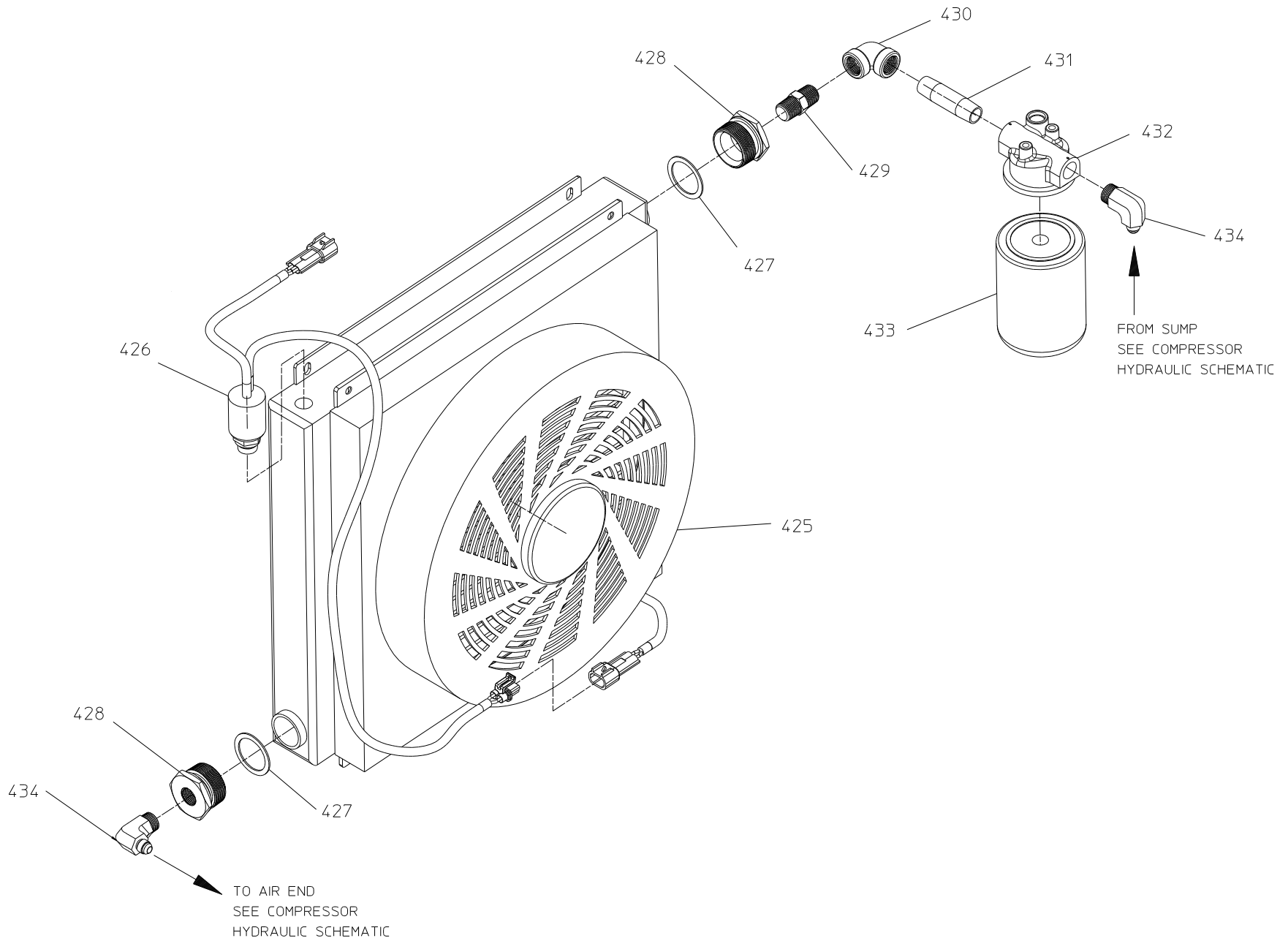
# Air Cooler

## Model 80-P

| REF. NO. | DESCRIPTION                             |
|----------|---|
| 425      | Air Oil Cooler                          |
| 426      | Temperature Switch                      |
| 427      | Copper Washer                           |
| 428      | Reducing Bushing, 1-1/4 FBSP x 1/2 FNPT |
| 429      | Hex Pipe Nipple, 1/2 MNPT               |

| REF. NO. | DESCRIPTION                        |
|----------|------------------------------------|
| 430      | 90 Degree Elbow, 1/2 FNPT          |
| 431      | Pipe Nipple, 1/2 NPT x 3 in.       |
| 432      | Medium Oil Filter Head             |
| 433      | Oil Filter, WD920                  |
| 434      | 90 Degree Elbow, 6 MJIC x 1/2 MNPT |





**AIR COOLER**  
MODEL 80-P

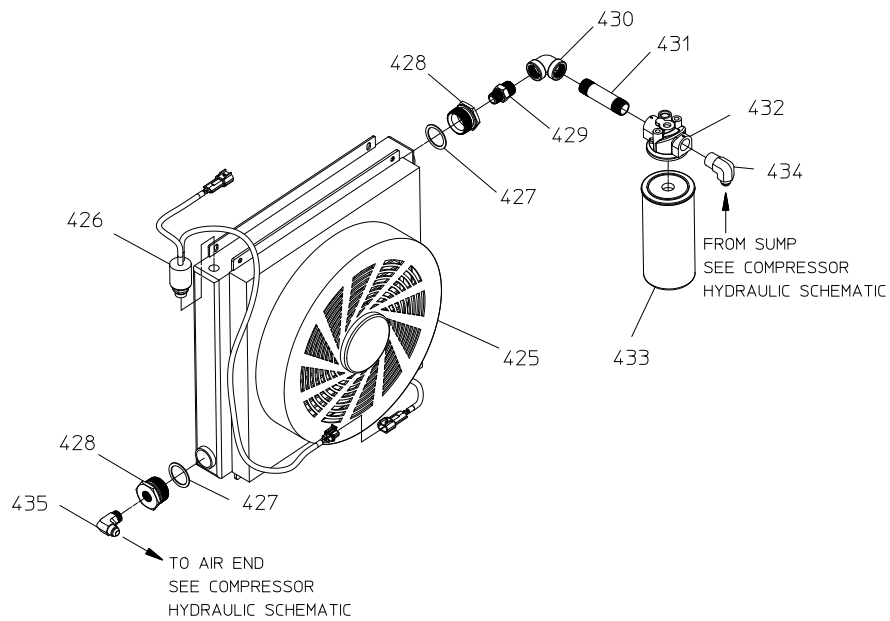
## Air Cooler

Models 100-B, 140-P, 200-P, 150-OS, 150-ECL

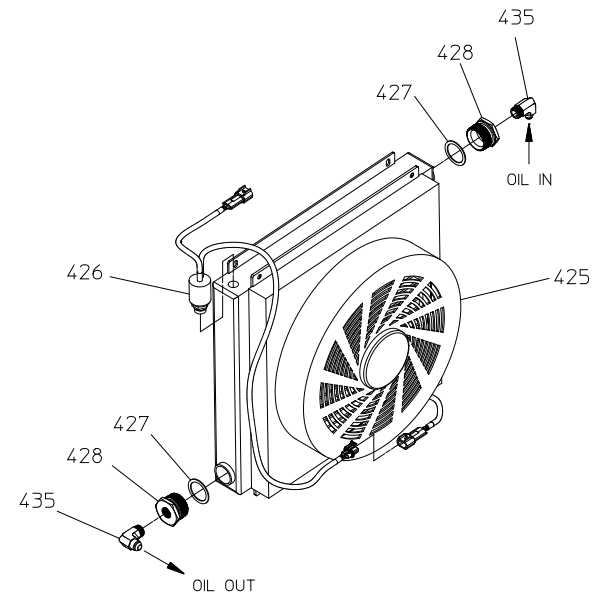
Models Ending with 100-P, 120-P, 150-P, 150-OS, 150-ECL

| REF. NO. | DESCRIPTION                             |
|----------|---|
| 425      | Air Oil Cooler                          |
| 426      | Temperature Switch                      |
| 427      | Copper Washer                           |
| 428      | Reducing Bushing, 1-1/4 FBSP x 1/2 FNPT |
| 429      | Hex Pipe Nipple, 3/4 x 1/2 MNPT         |

| REF. NO. | DESCRIPTION                        |
|----------|------------------------------------|
| 430      | 90 Degree Elbow, 3/4 FNPT          |
| 431      | Pipe Nipple, 3/4 NPT x 4 in.       |
| 432      | Large Oil Filter Head              |
| 433      | Oil Filter, WD962                  |
| 434      | 90 Degree Elbow, 8 MJIC x 3/4 MNPT |
| 435      | 90 Degree Elbow, 8 MJIC x 1/2 MNPT |



WITH OIL FILTER



WITHOUT OIL FILTER

**AIR COOLER**

MODELS 100-B, 140-P, 200-P, 150-OS, 150-ECL  
 MODELS ENDING WITH 100-P, 120-P, 150-P, 150-OS, 150-ECL