

**CAFS Air Discharge Check Valve Kit
Dimensional Drawings**

Components: Page

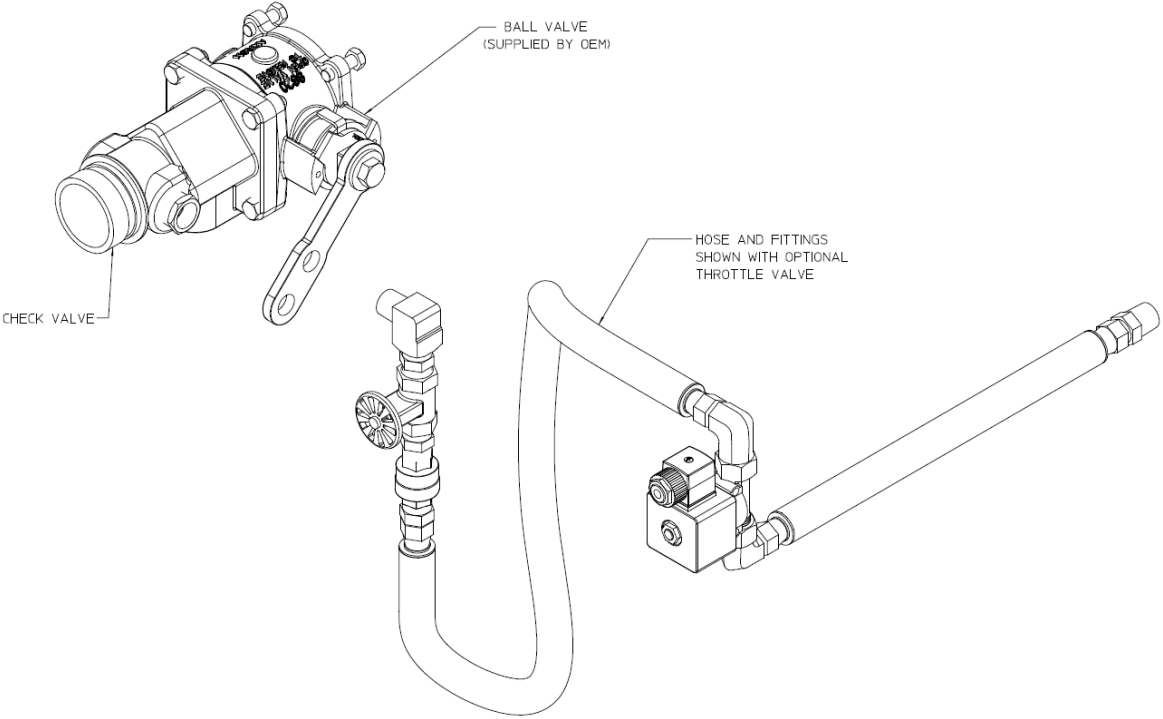
Check Valve:

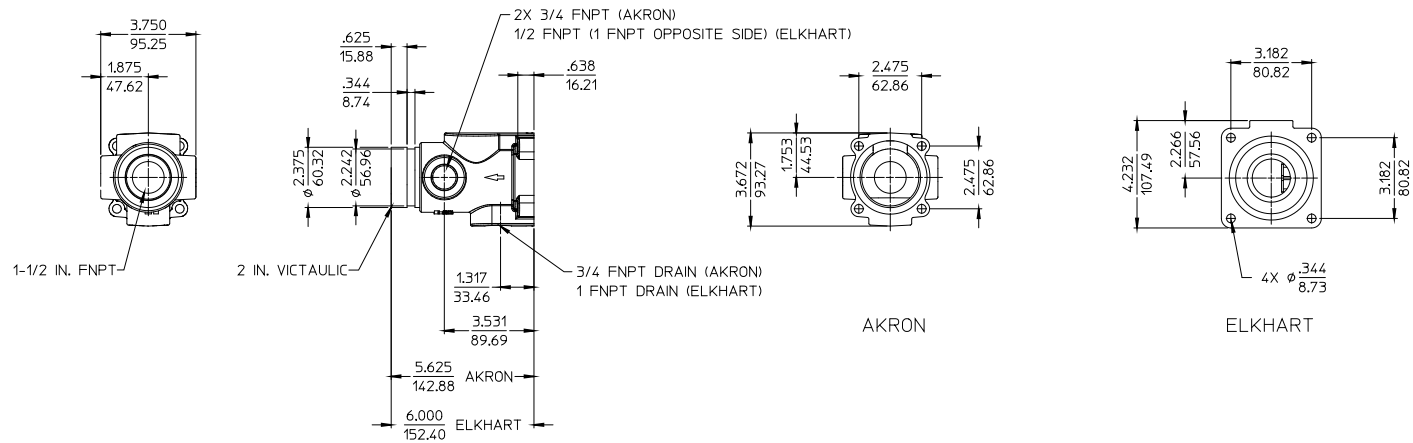
1.5 in.....	2
2.0 in.....	2
2.5 in.....	3
3.0 in.....	3

Optional Air Valve:

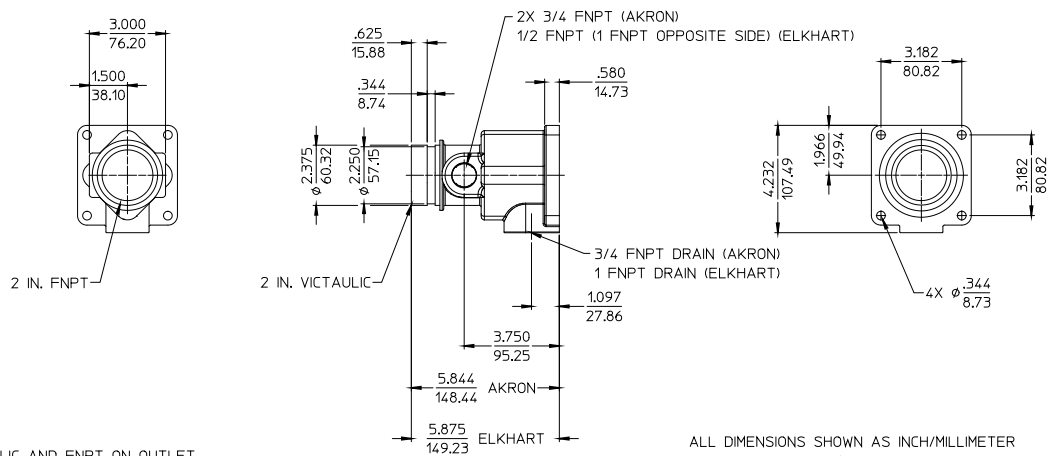
Electric.....	4
Manual	4

Electric Air Valve Wiring.....	4
Hose and Fittings.....	5





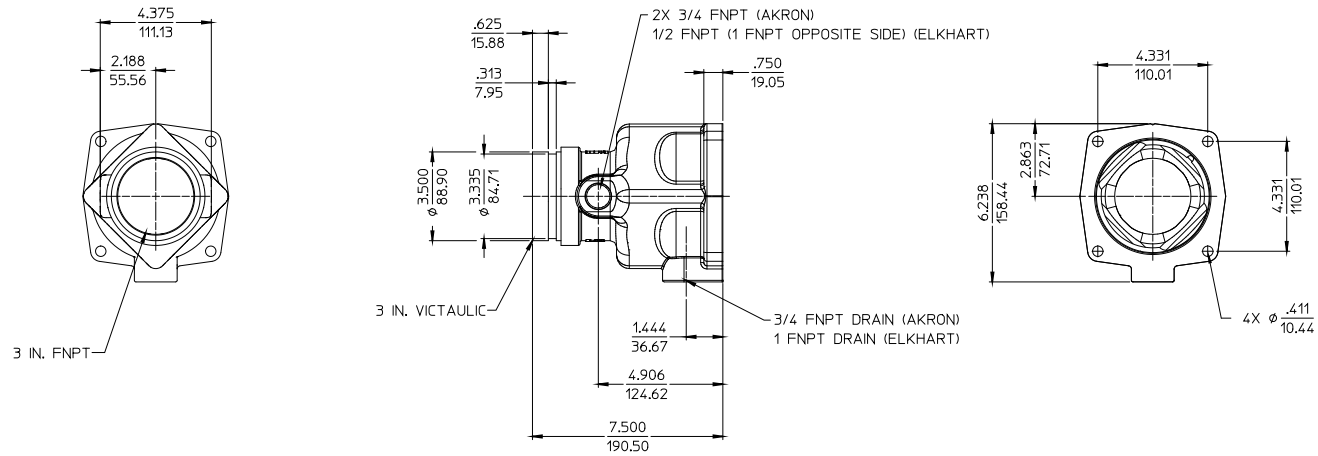
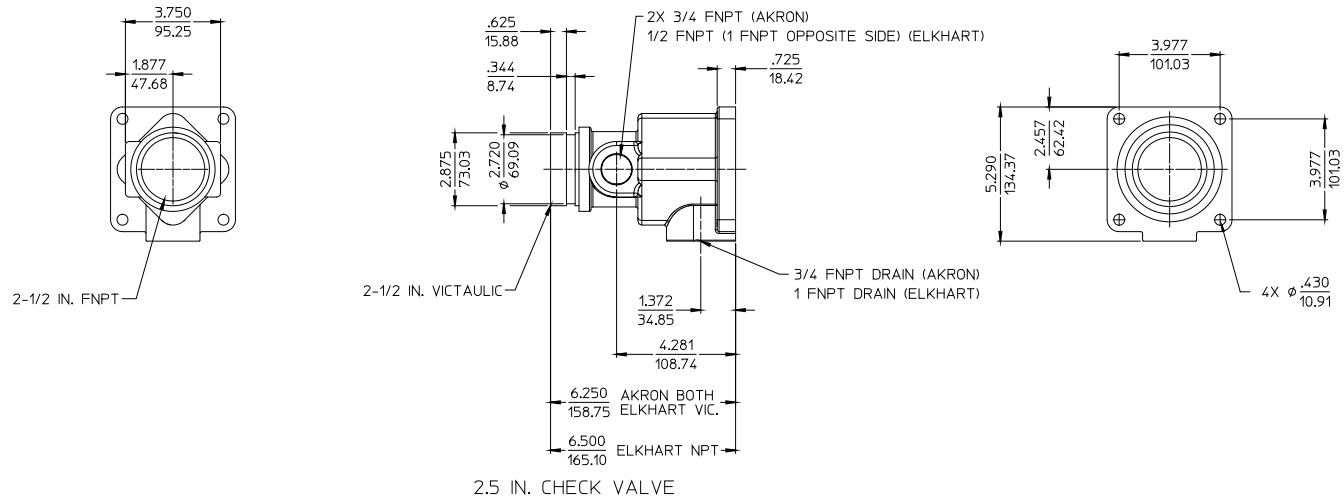
1.5 IN. CHECK VALVE



ALL DIMENSIONS SHOWN AS INCH/MILLIMETER
(INCH / MILLIMETER)

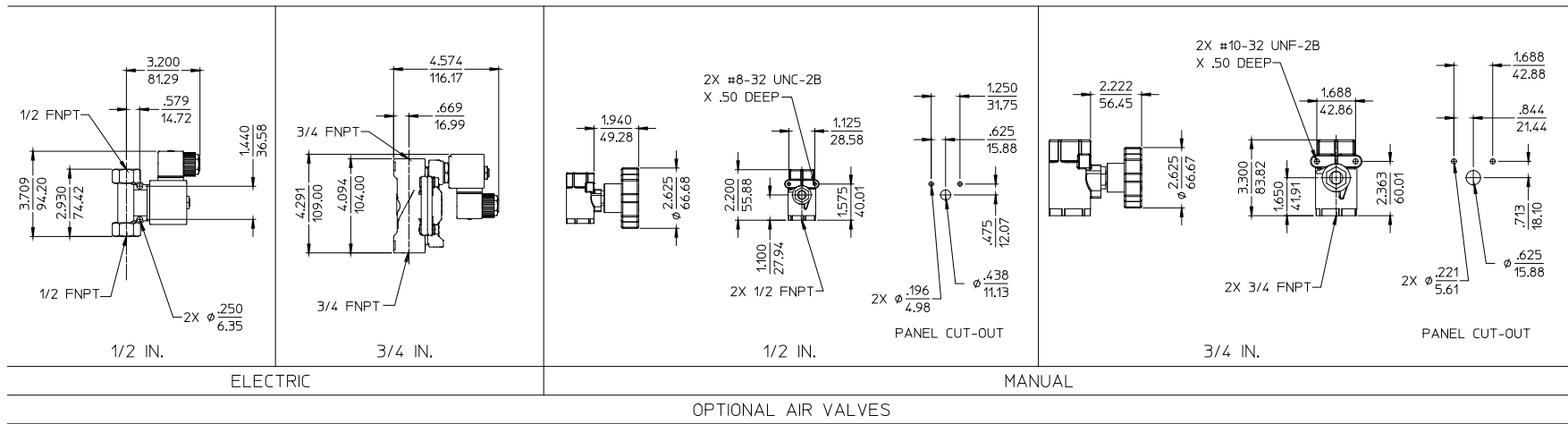
2.0 IN. CHECK VALVE

NOTE:
1. 1.5 IN. VALVE HAS BOTH VICTAULIC AND FNPT ON OUTLET.
2.0 IN. VALVE HAS EITHER VICTAULIC OR FNPT ON OUTLET.

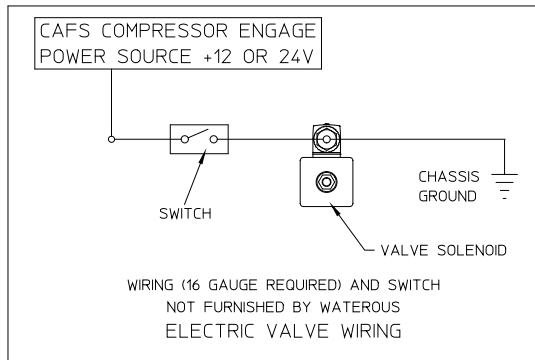


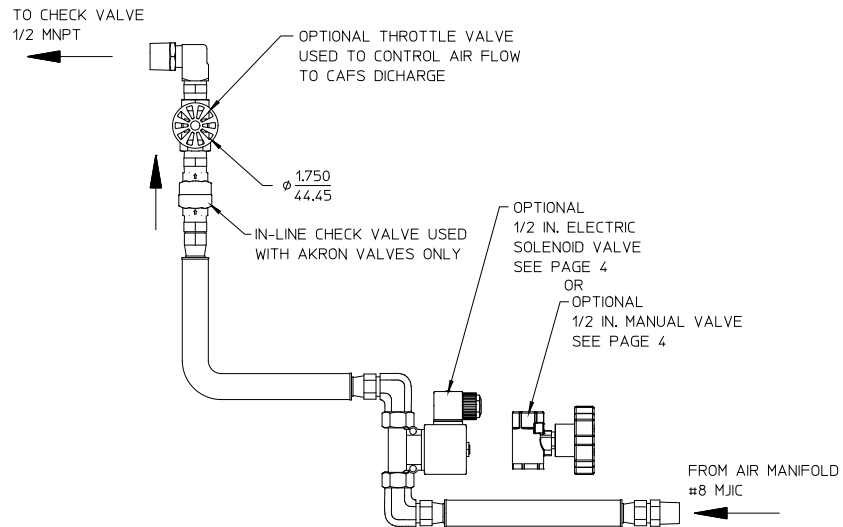
NOTE:
1. 2.5 & 3.0 IN. VALVES HAVE EITHER VICTAULIC OR FNPT ON OUTLET.

ALL DIMENSIONS SHOWN AS INCH/MILLIMETER
(INCH)
(MILLIMETER)



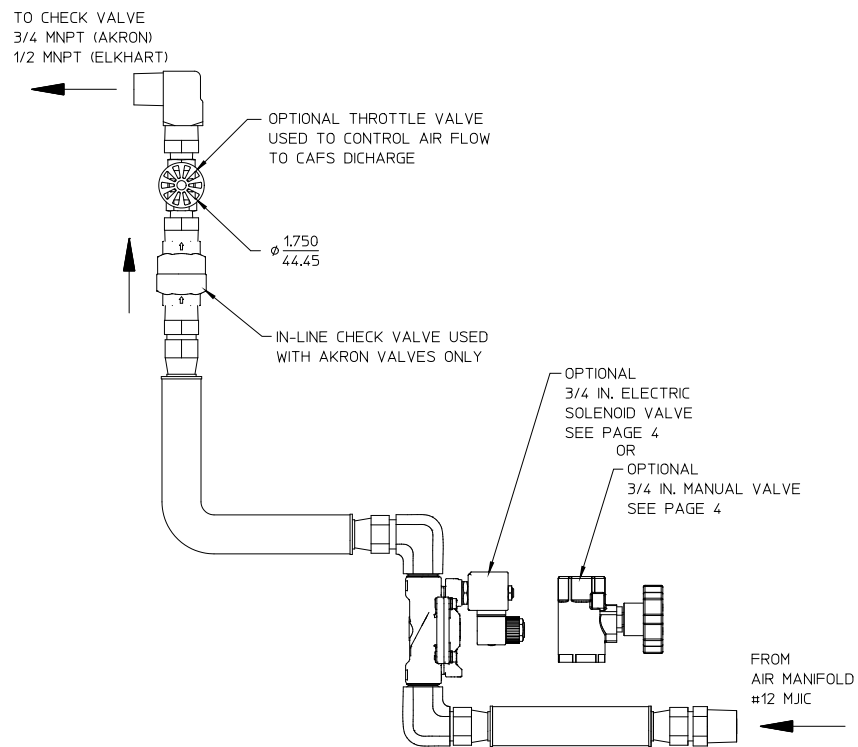
ALL DIMENSIONS SHOWN AS INCH/MILLIMETER
 INCH
 (MILLIMETER)





1-1/2 & 2 IN. CHECK VALVE HOSE AND FITTINGS
 1/2 IN. VALVE, FITTINGS AND HOSE FURNISHED

ALL DIMENSIONS SHOWN AS INCH/MILLIMETER
 (INCH / MILLIMETER)



2-1/2 & 3 IN. CHECK VALVE HOSE AND FITTINGS
 3/4 IN. VALVES, FITTINGS AND HOSE FURNISHED

HOSE AND FITTINGS
 10 FOOT/3.04 METER LENGTH OF
 HOSE FURNISHED WITH EACH VALVE