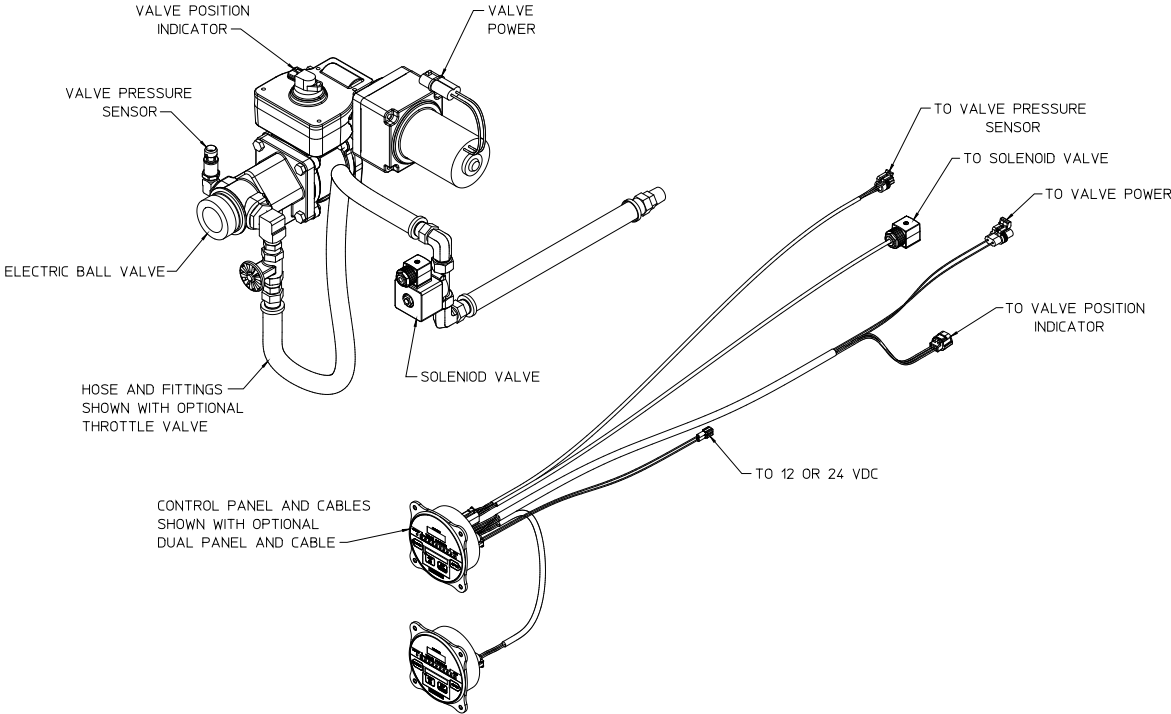
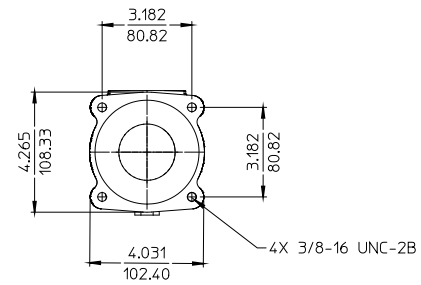
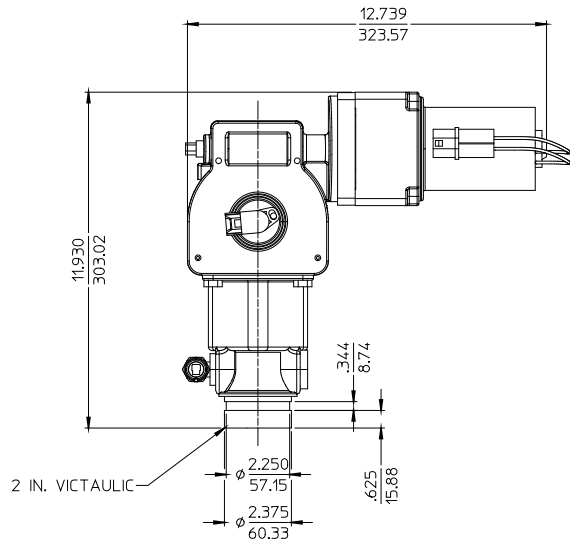


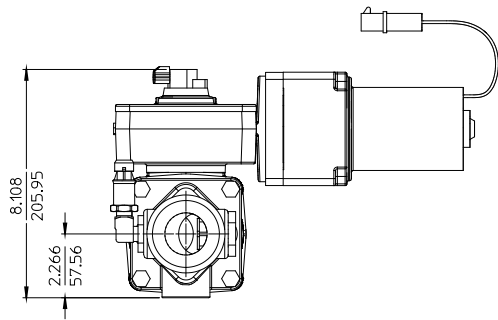
## ICS (Intelligent CAF Selector) Valves Dimensional Drawings

Components:	Page
<b>Electric Ball Valve:</b>	
1.5 in.....	2
2.0 in.....	2
2.5 in.....	3
3.0 in.....	4
<b>Control Panel and Cables:</b>	
Single Controller.....	5
Dual Controllers (Optional).....	5
<b>Hose and Fittings.....</b>	<b>6</b>



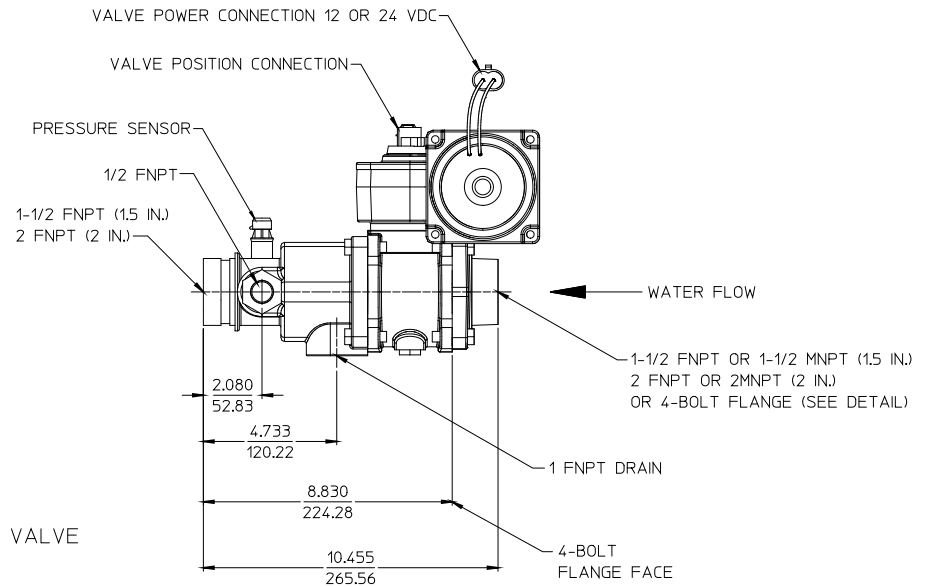


4-BOLT FLANGE DETAIL



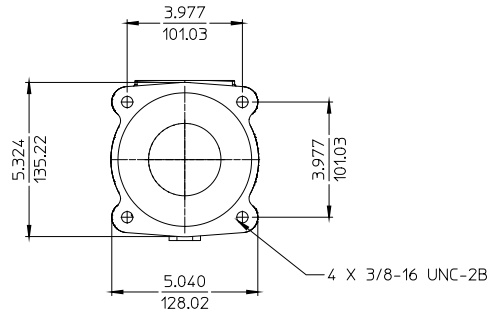
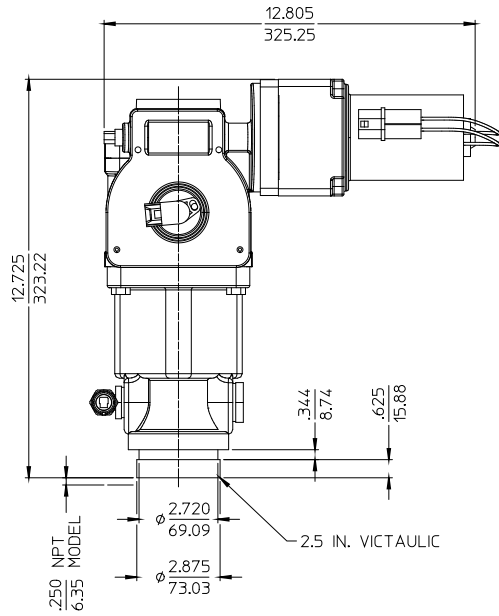
ALL DIMENSIONS SHOWN AS INCH/MILLIMETER  
( INCH / MILLIMETER )

1.5 IN. AND 2 IN. ICS VALVE

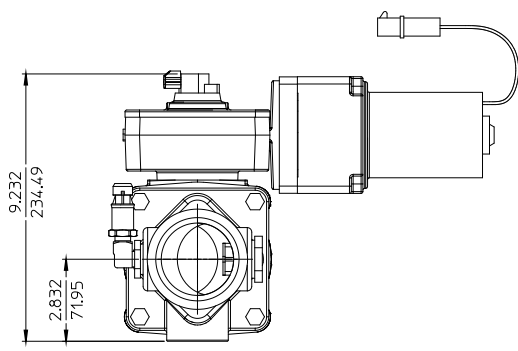


NOTE:

- 1. 1.5 IN. VALVE HAS BOTH VICTAULIC AND FNPT ON OUTLET.
- 2. 2 IN. VALVE HAS EITHER VICTAULIC OR FNPT ON OUTLET.

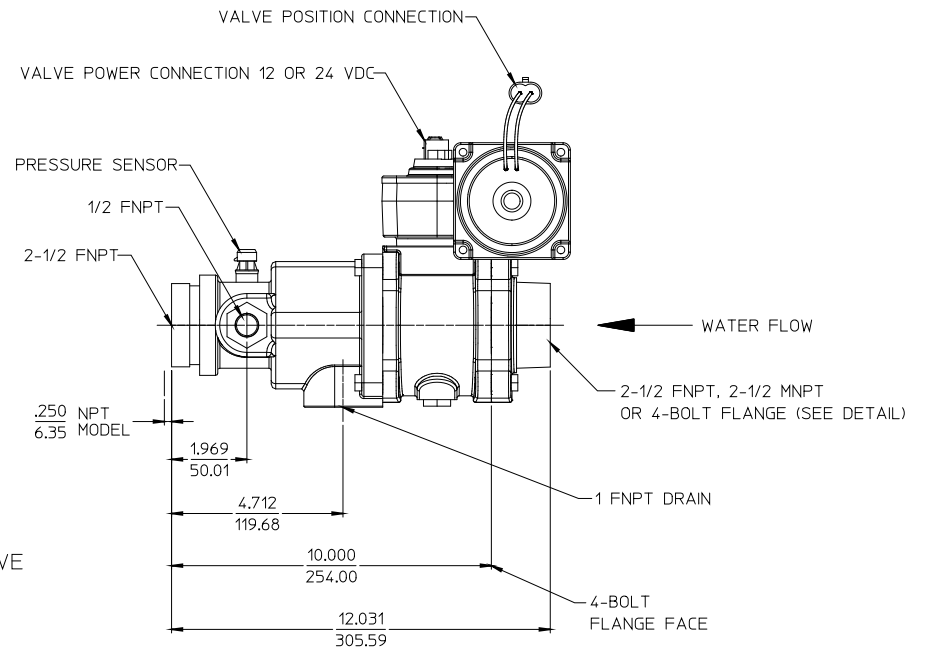


4-BOLT FLANGE DETAIL



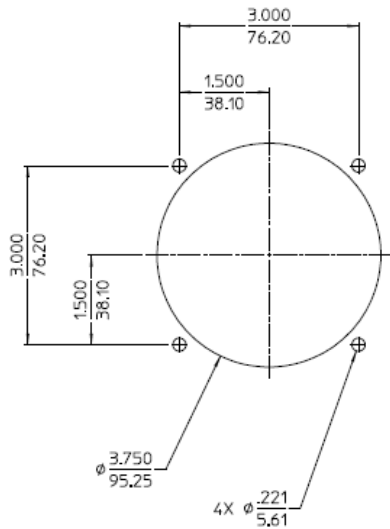
ALL DIMENSIONS SHOWN AS INCH/MILLIMETER  
 (INCH / MILLIMETER)

2.5 IN. ICS VALVE



NOTE:  
 1. 2.5 IN. VALVE HAS EITHER VICTAULIC OR FNPT ON OUTLET.

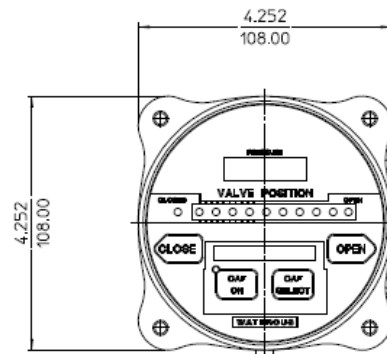




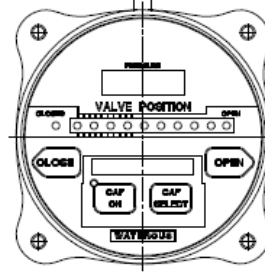
PANEL CUT-OUT

ALL DIMENSIONS SHOWN AS INCH/MILLIMETER  
 ( INCH )  
 ( MILLIMETER )

PRIMARY CONTROLLER

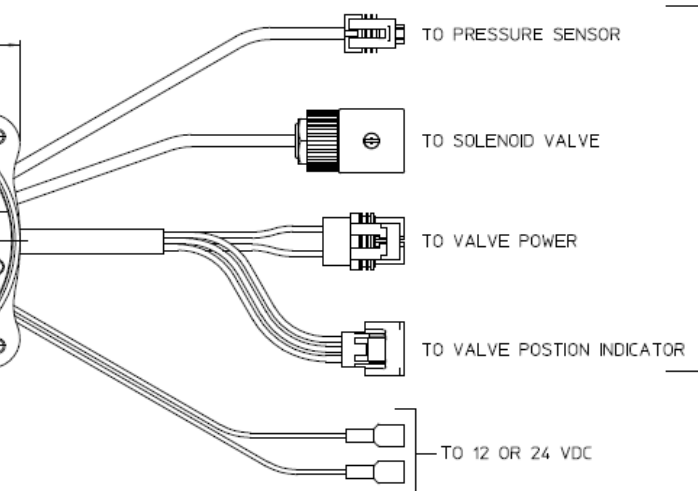


PRIMARY TO SECONDARY CABLE,  
 AVAILABLE IN LENGTHS OF  
 10, 20 & 30 FEET

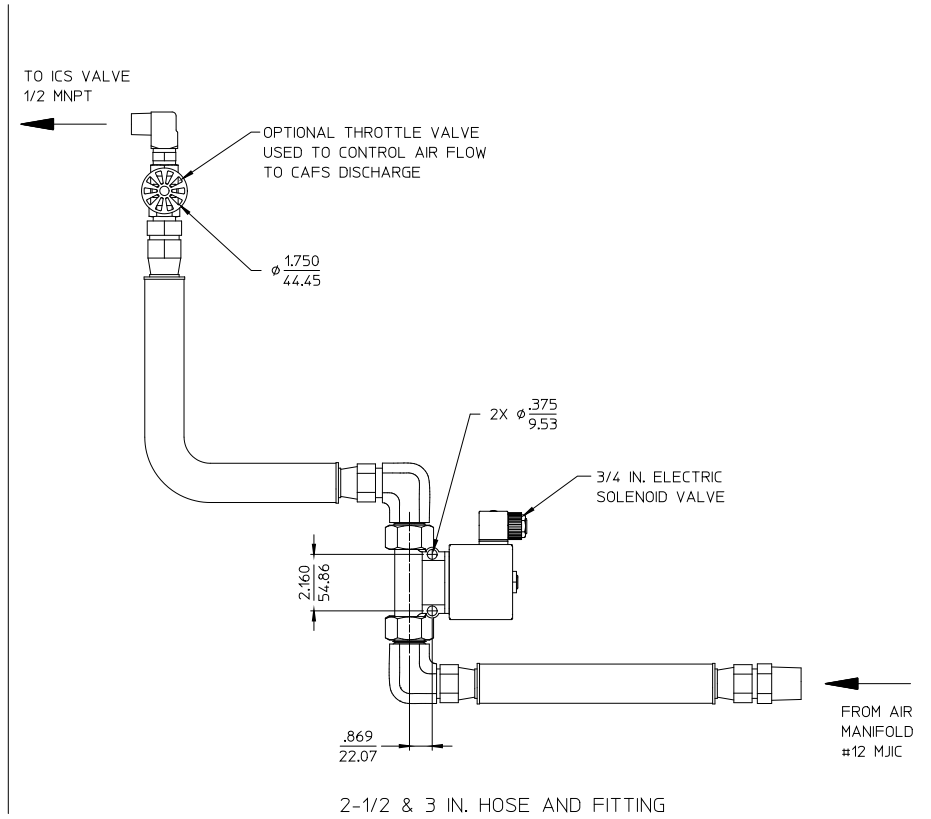
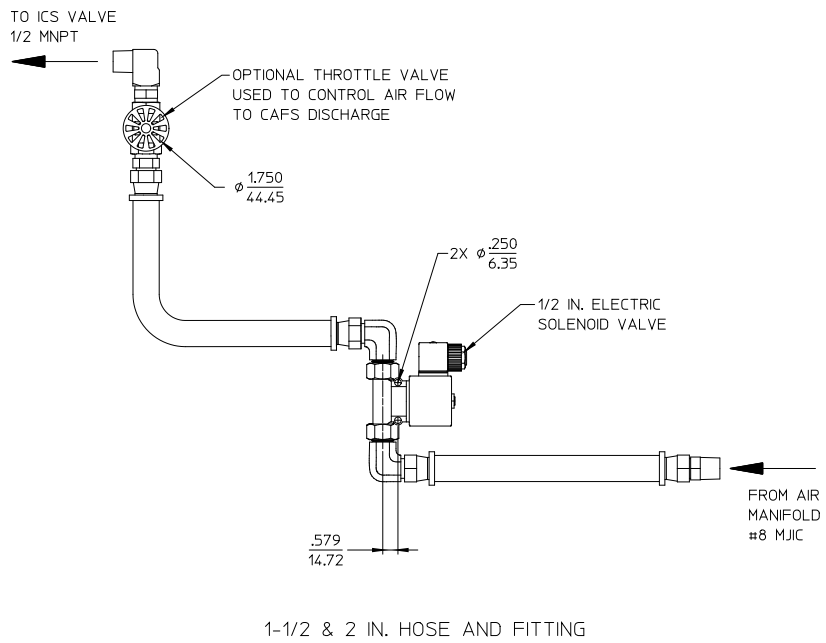


OPTIONAL SECONDARY CONTROLLER

VALVE CONTROLLER



AVAILABLE IN  
 LENGTHS OF  
 10, 20 & 30 FEET



NOTE:  
1. 10 FOOT / 3.04 METER LENGTH OF HOSE FURNISHED WITH EACH VALVE

ALL DIMENSIONS SHOWN AS INCH/MILLIMETER  
( INCH / MILLIMETER )