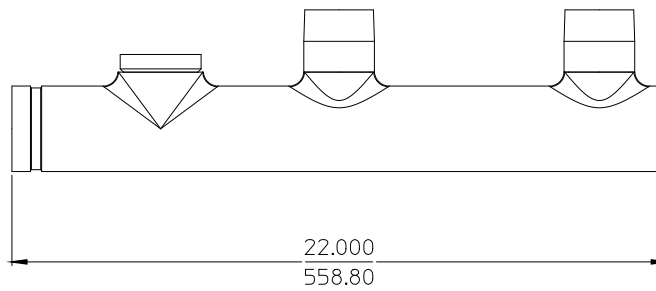
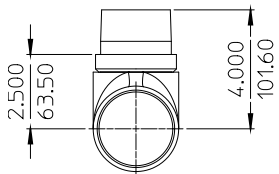
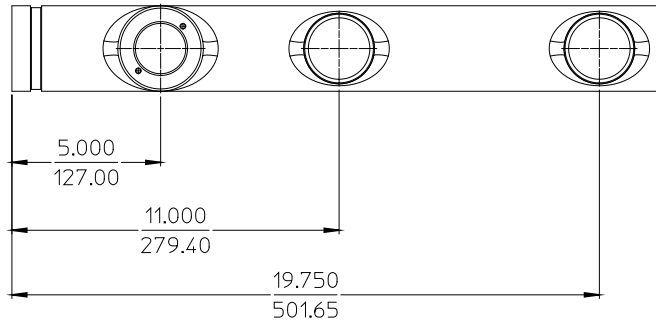
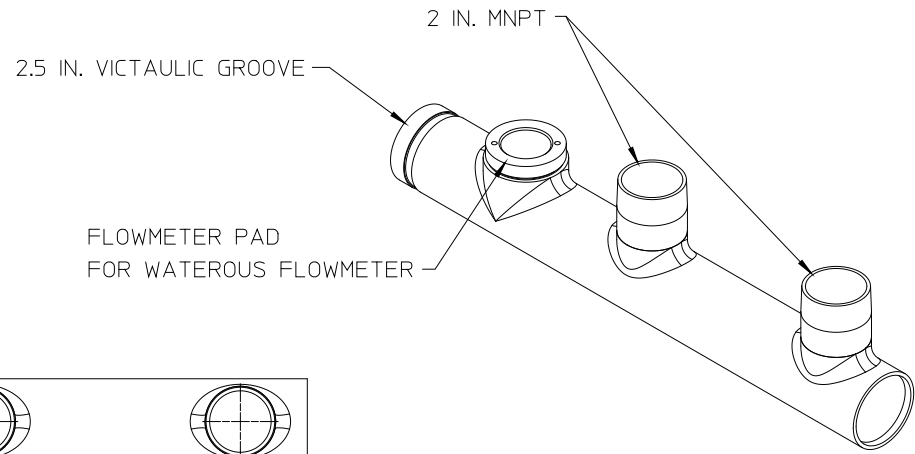




Document Number <b>DPL83682</b>	Issue Date <b>12/7/16</b>	Rev Date
------------------------------------	------------------------------	----------

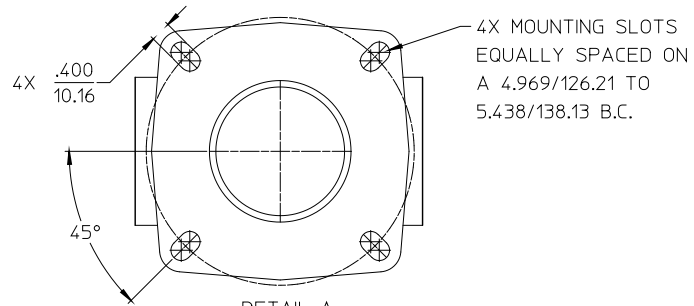
### CAF Discharge Manifold Dimensional Drawings

Inlet		Outlets	Flowmeter Mounting Pad	Part No.	See Page
Size	Connection				
2-1/2 in.	2-1/2 in. Victaulic	Two 2 in. NPT (M)	Yes	Q-0324282	2
		One 2-1/2 in. Flange and Two 2 in. Flanges	Yes	Q-0324225	3
		Three 2 in. Flanges	Yes	Q-0324302	4

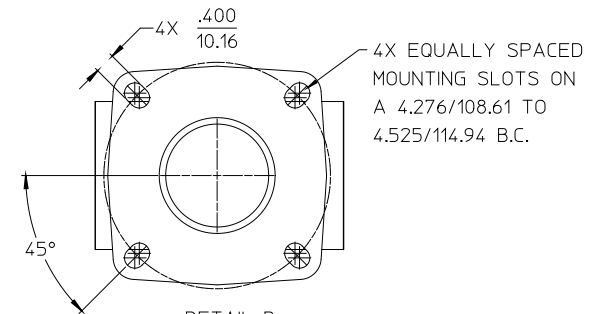
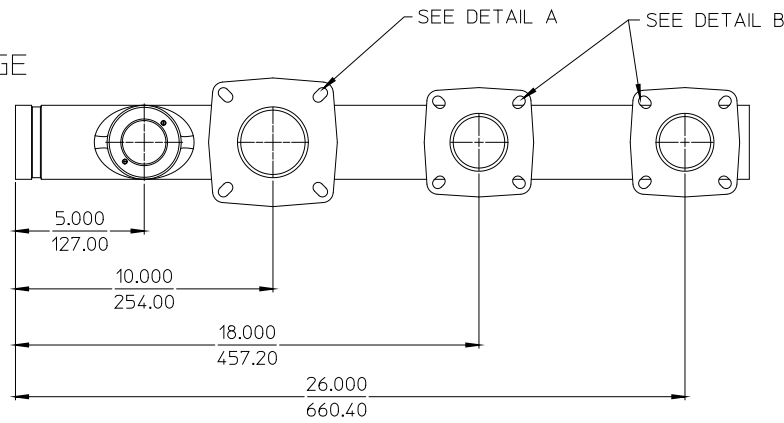
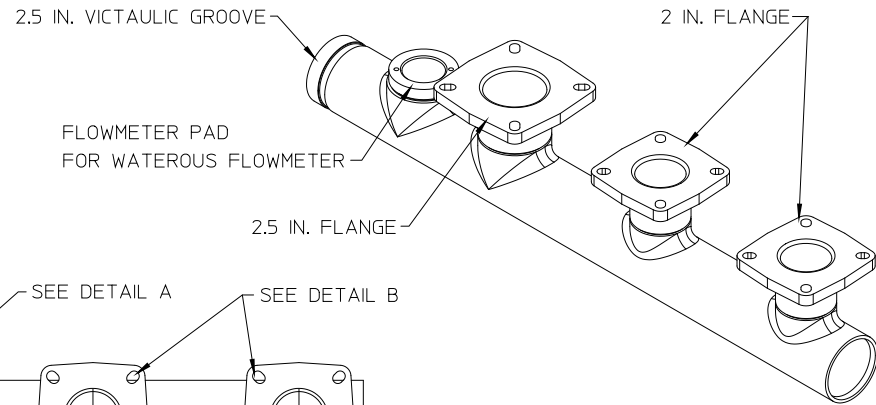


ALL DIMENSIONS SHOWN AS INCH/MILLIMETER  
( $\frac{\text{INCH}}{\text{MILLIMETER}}$ )

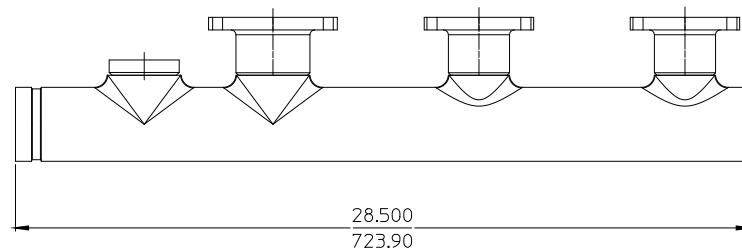
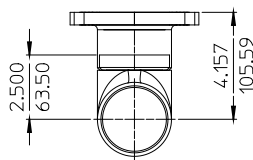
TWO 2 IN. NPT (M)  
PART NO. Q-0324282



DETAIL A  
SCALE 1:1  
2.5 IN. FLANGE

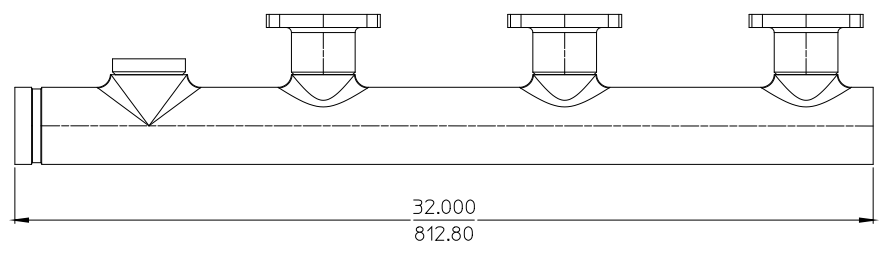
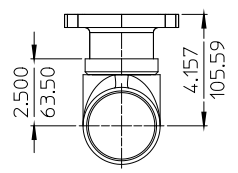
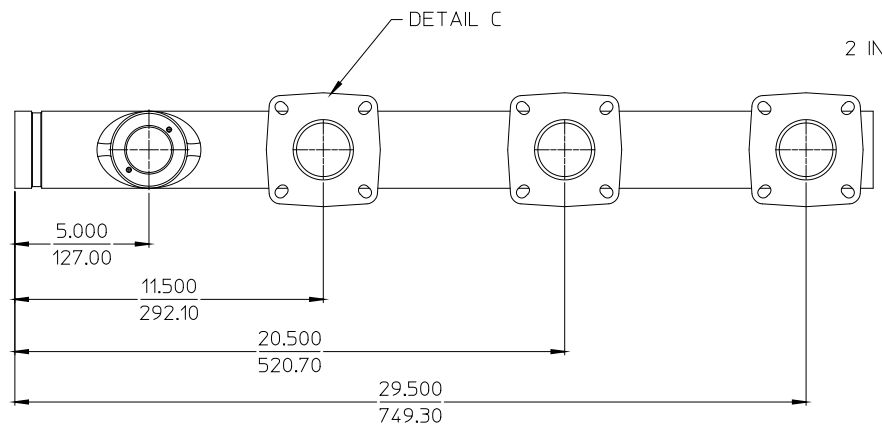
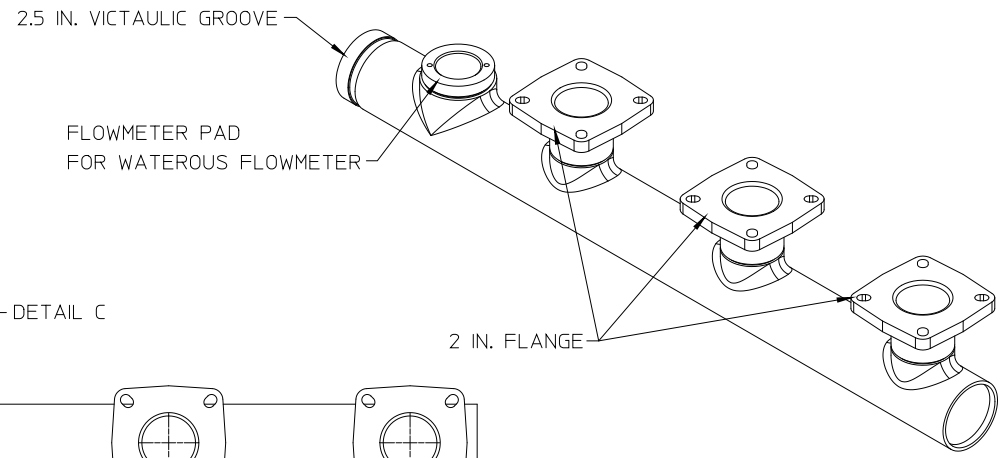
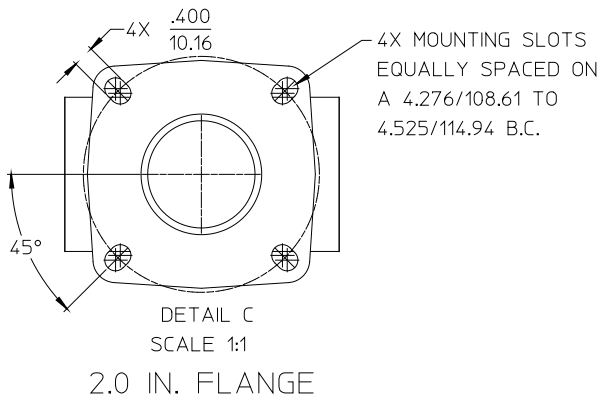


DETAIL B  
SCALE 1:1  
2.0 IN. FLANGE



ALL DIMENSIONS SHOWN AS INCH/MILLIMETER  
( $\frac{\text{INCH}}{\text{MILLIMETER}}$ )

ONE 2-1/2 IN. FLANGE AND TWO 2 IN. FLANGES  
PART NO. Q-0324225



ALL DIMENSIONS SHOWN AS INCH/MILLIMETER  
( $\frac{\text{INCH}}{\text{MILLIMETER}}$ )

THREE 2 IN. FLANGES  
PART NO. Q-0324302