

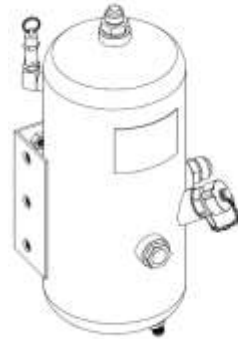


Document Number SPL83293	Issue Date 11/18/13	Rev. Date 5/23/18
------------------------------------	-------------------------------	-----------------------------

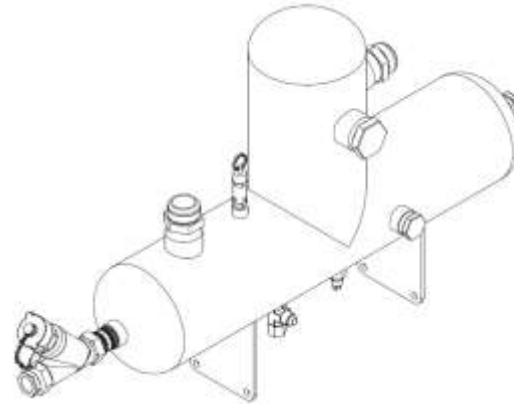
Sump Service Parts List

Index:

CAFS Model				Vertical Sump Size	Vertical Sump	See Page	
Traditional CAFS		Generated CAFS				Optional	
						Tee Sump	Sump Vent
80-P		-		8 in. Short	2, 3	-	12, 13
100-B	250-100-P 500-100-P 750-100-P	1000-100-P 1250-100-P 250-120-P 500-120-P	100-OSB 100-ECLB	8 in. Long	4, 5		
140-P		-		8 in. Long	6, 7	10, 11	12, 13
200-P	100-D 120-D 150-D 200-D 150-ESD	500-150-P 750-150-P 1000-150-P 1250-150-P Eclipse ES	150-OS 150-ECL 150-ESOS 750-150-OS 1000-150-OS 1250-150-OS	150-ECL 150-ESECL 750-150-ECL 1000-150-ECL 1250-150-ECL	10 in.		



Vertical Sump



Optional Tee Sump

Vertical Sump

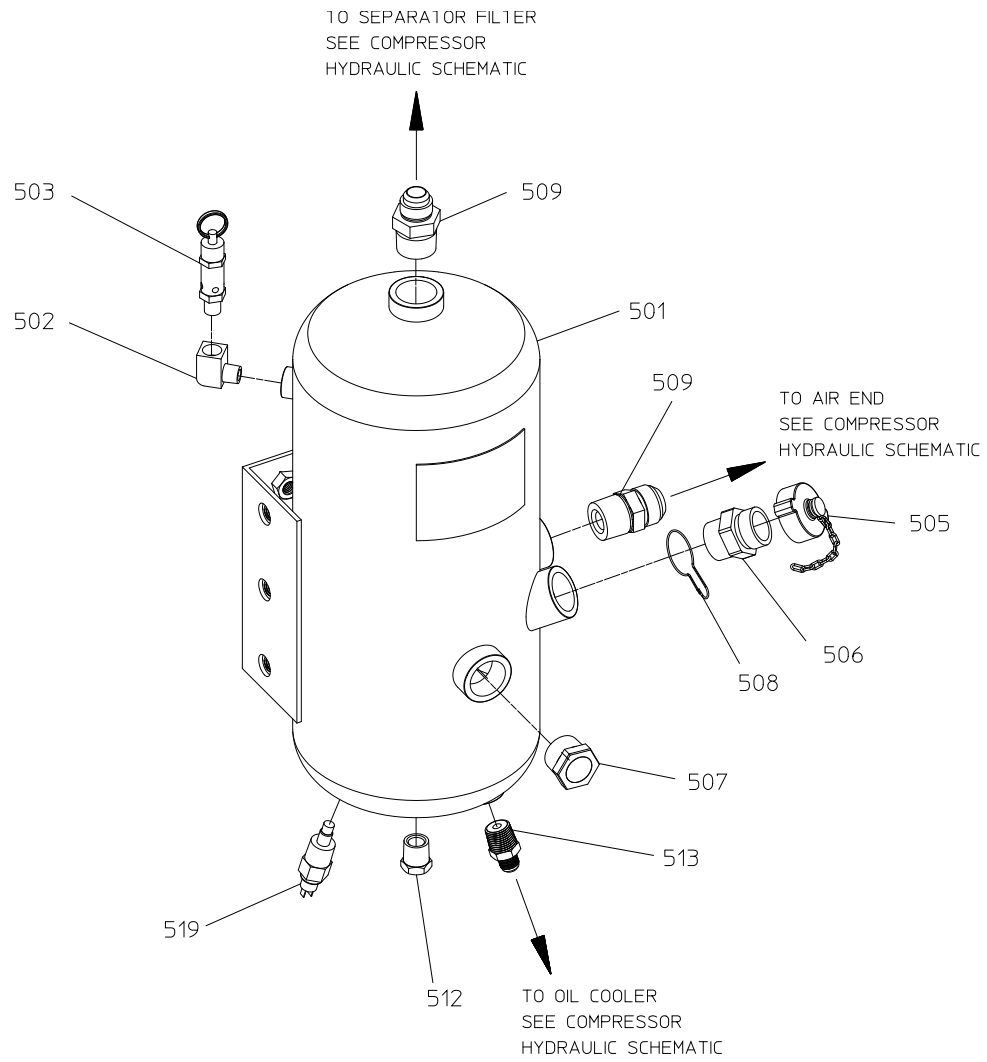
8 in. Short

REF. NO.	DESCRIPTION
500	Sump Assembly (Includes 501 thru 513)
501	Vertical Sump, 8 in. Short
502	90 Degree Street Elbow, $\frac{3}{8}$ NPT
503	Pop Off Valve, $\frac{3}{8}$ in.
505	Cap with Chain, 1 in. NPSH
506	Nipple, 1 in. NPT x 1 in. NPSH

REF. NO.	DESCRIPTION
507	Sight Glass, 1 in.
508	Spring Close Oval Loop, 1-3/8 in.
509	Straight Adapter, 16 MJIC x 1 MNPT
512	Hex Head Plug, $\frac{1}{2}$ in NPT
513	Straight Adapter, 6 MJIC x $\frac{1}{2}$ MNPT
519	Temperature Sender

SUMP
ASSEMBLY

500
(INCLUDES 501-513)



VERTICAL SUMP

8in. SHORT

Vertical Sump

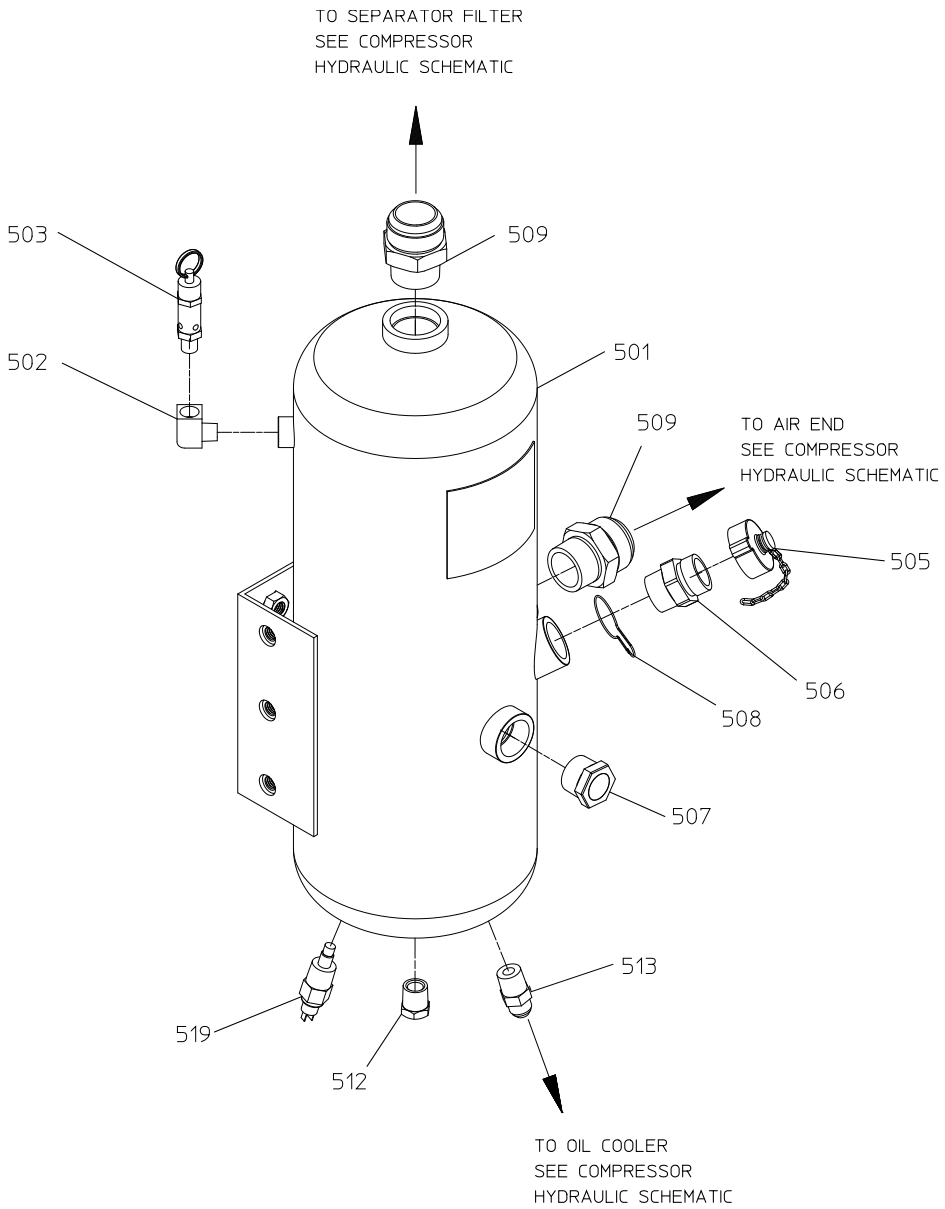
8 in. Long

REF. NO.	DESCRIPTION
500	Sump Assembly (Includes 501 thru 513)
501	Vertical Sump, 8 in. Long
502	90 Degree Street Elbow, 3/8 NPT
503	Pop Off Valve, 3/8 in.
505	Cap with Chain, 1 in. NPSH
506	Nipple, 1 in. NPT x 1 in. NPSH

REF. NO.	DESCRIPTION
507	Sight Glass, 1 in.
508	Spring Close Oval Loop, 1-3/8 in.
509	Straight Adapter, 16 MJIC x 1-1/4 MNPT
512	Hex Head Plug, 1/2 in NPT
513	Straight Adapter, 8 MJIC x 1/2 MNPT
519	Temperature Sender

SUMP
ASSEMBLY

500
(INCLUDES 501-513)



VERTICAL SUMP

8in. LONG

Vertical Sump

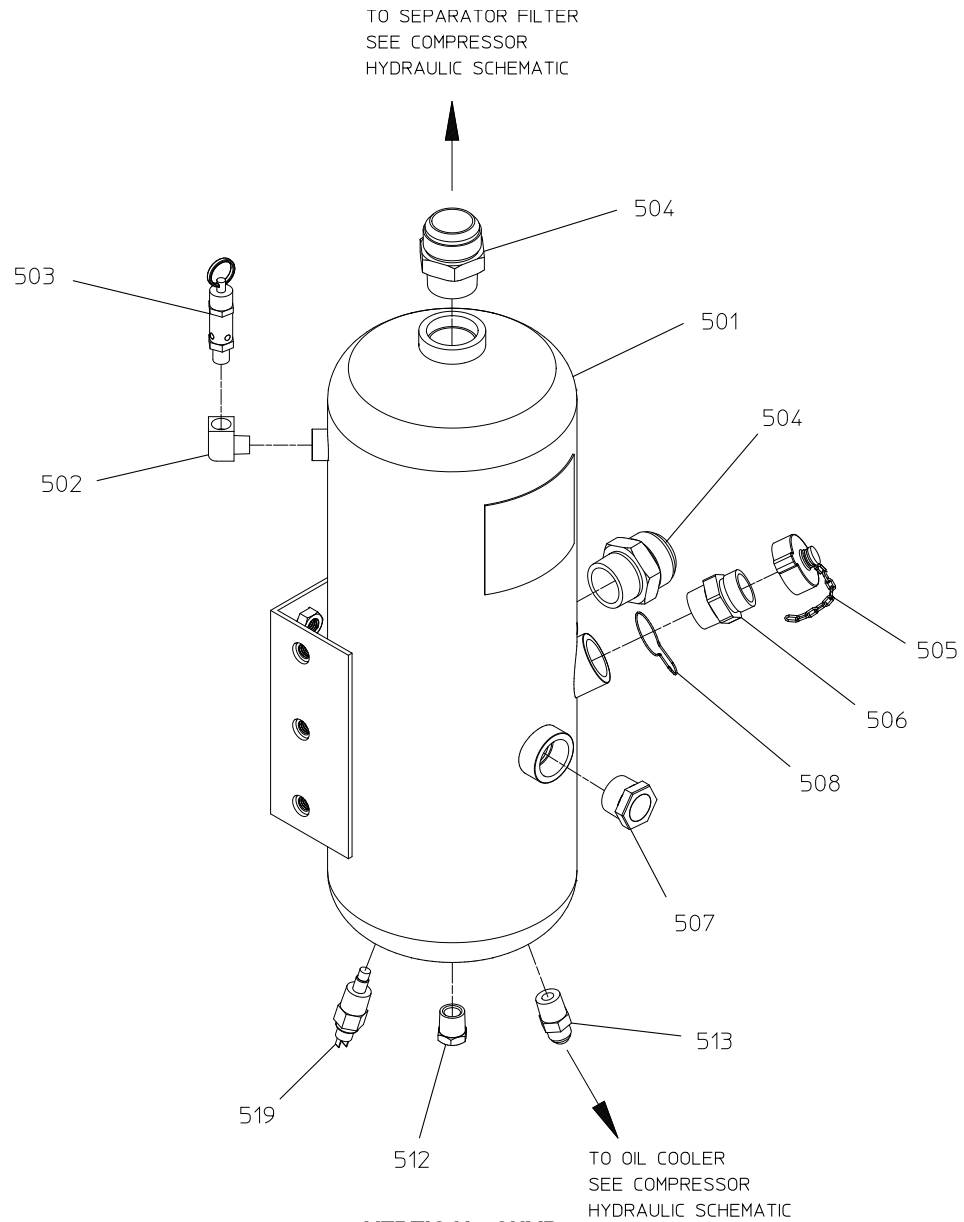
8 in. Long for Model 140-P

REF. NO.	DESCRIPTION
500	Sump Assembly (Includes 501 thru 513)
501	Vertical Sump, 8 in.
502	90 Degree Street Elbow, $\frac{3}{8}$ NPT
503	Pop Off Valve, $\frac{3}{8}$ in.
504	Straight Adapter, 24 MJIC x 1-1/4 MNPT

REF. NO.	DESCRIPTION
505	Cap with Chain, 1 in. NPSH
506	Nipple, 1 in. NPT x 1 in. NPSH
507	Sight Glass, 1 in.
508	Spring Close Oval Loop, 1-3/8 in.
512	Hex Head Plug, $\frac{1}{2}$ in NPT
513	Straight Adapter, 8 MJIC x $\frac{1}{2}$ MNPT
519	Temperature Sender

SUMP
ASSEMBLY

500
(INCLUDES 501-513)



VERTICAL SUMP

8in. LONG FOR MODEL 140-P

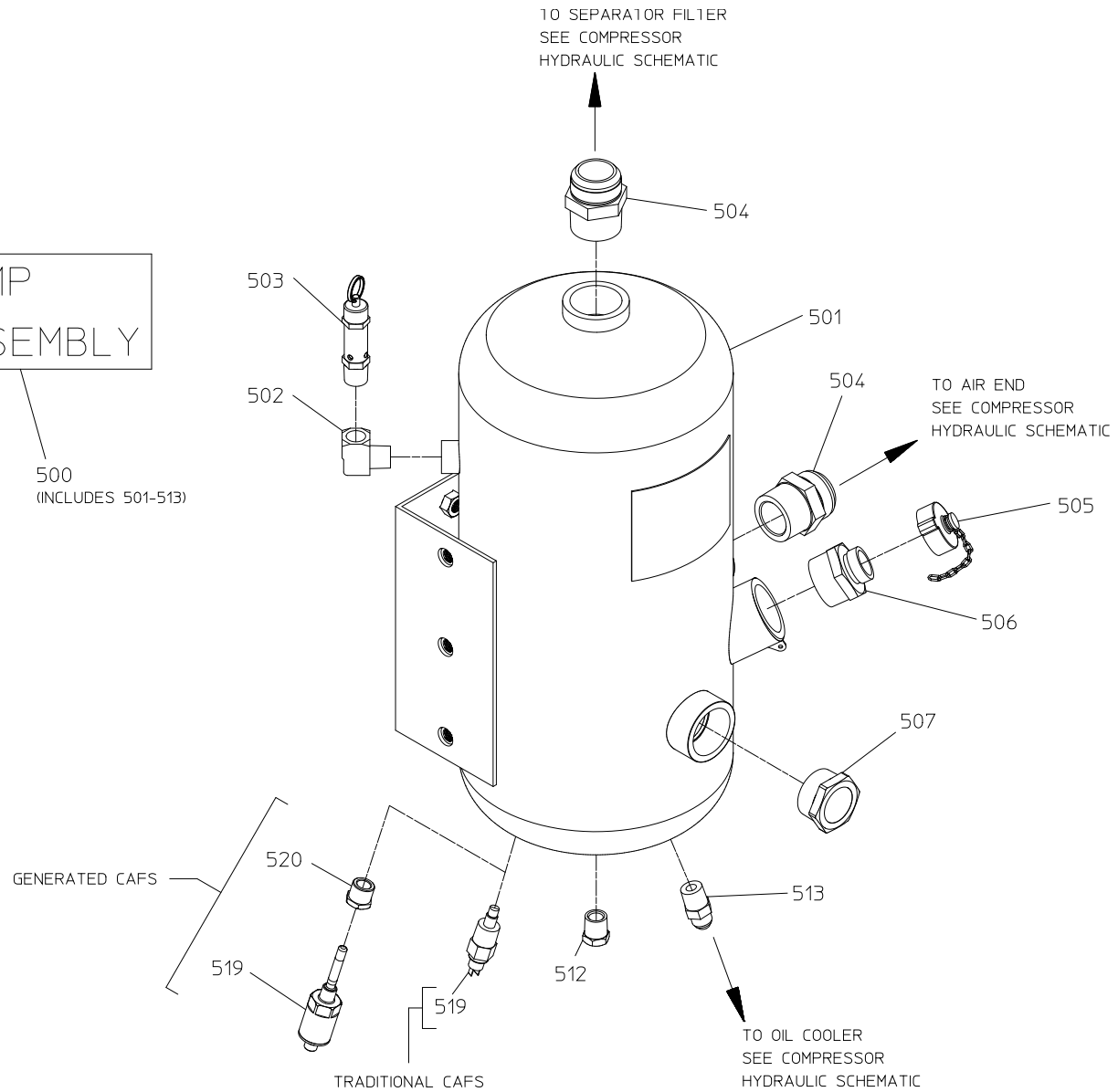
Vertical Sump 10 in.

REF. NO.	DESCRIPTION
500	Sump Assembly (Includes 501 thru 513)
501	Vertical Sump, 10 in.
502	90 Degree Street Elbow, ½ NPT
503	Pop Off Valve, ½ in.
504	Straight Adapter, 24 MJIC x 1-1/2 MNPT
505	Cap with Chain, 1 in. NPSH

REF. NO.	DESCRIPTION
506	Nipple, 1-1/2 in. NPT x 1 in. NPSH
507	Sight Glass, 1-1/2 in.
512	Hex Head Plug, ½ in NPT
513	Straight Adapter, 8 MJIC x ½ MNPT
519	Temperature Sender
520	Reducing Bushing, 1/2 MNPT x 1/4 FNPT

SUMP
ASSEMBLY

500
(INCLUDES 501-513)



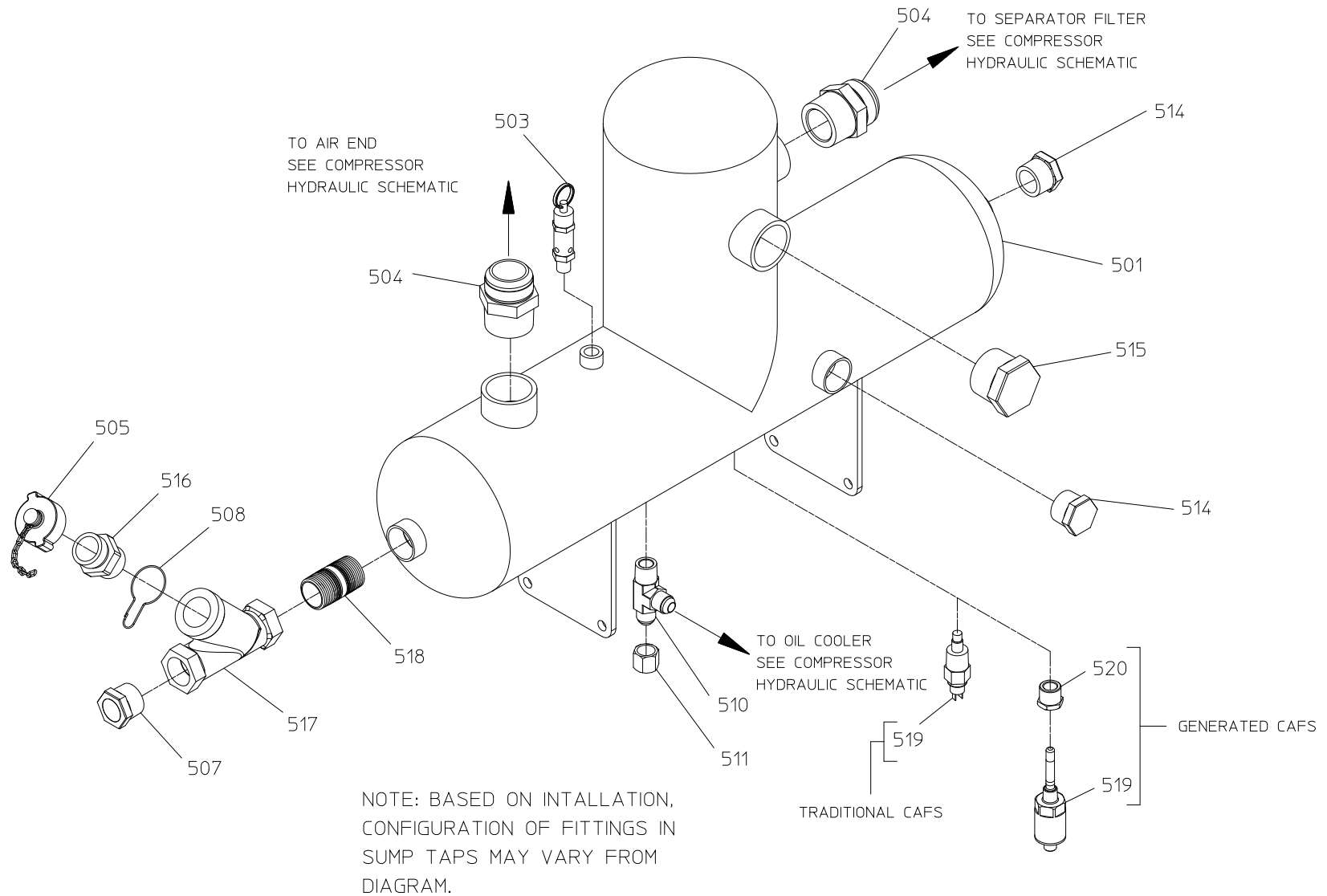
VERTICAL SUMP

10in.

Tee Sump - Optional

REF. NO.	DESCRIPTION
501	Tee Sump
503	Pop Off Valve, 3/8 in.
504	Straight Adapter, 24 MJIC x 1-1/2 MNPT
505	Cap with Chain, 1 in. NPSH
507	Sight Glass, 1 in.
508	Spring Close Oval Loop, 1-3/8 in.
510	Tee, 8 MJIC x 8 MJIC x 1/2 MNPT
511	Cap, 8 FJIC

REF. NO.	DESCRIPTION
514	Hex Head Plug, 1 in. NPT
515	Hex Head Plug, 1-1/2 in. NPT
516	Nipple, 1 in. NPT x 1 in. NPSH
517	Branch Wye, 1 in. FNPT
518	Close Pipe Nipple, 1 in. NPT (Brass)
519	Temperature Sender
520	Reducing Bushing, 1/2 MNPT x 1/4 FNPT



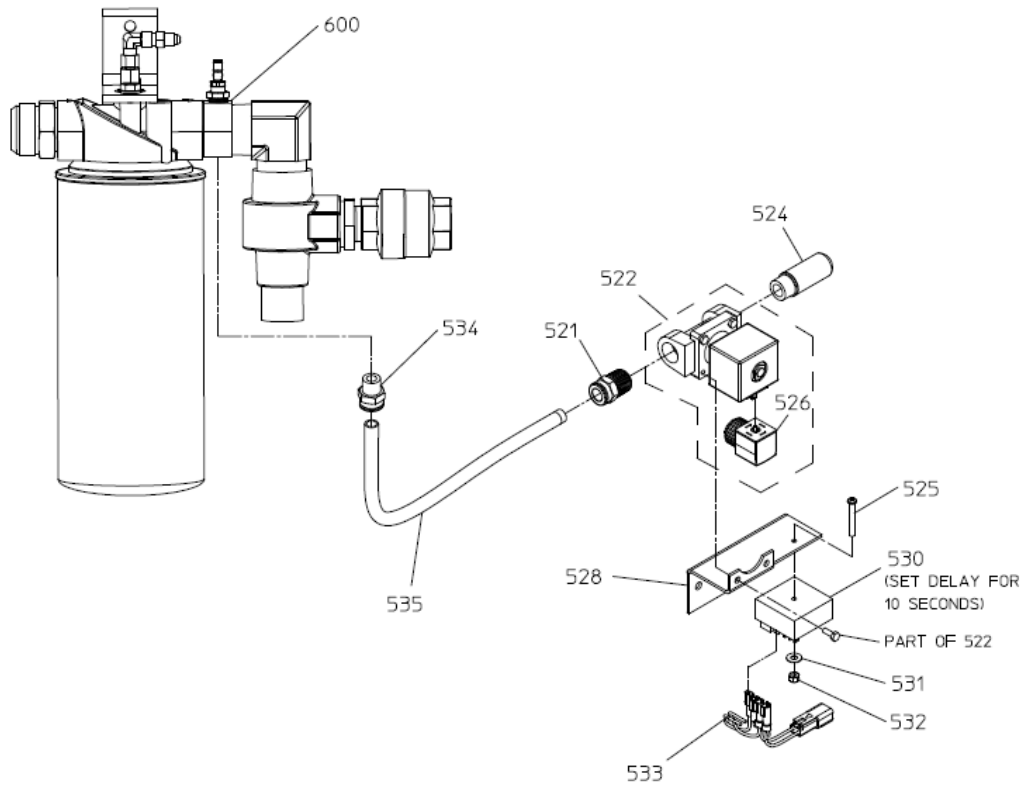
TEE SUMP - OPTIONAL

Sump Vent - Optional

All Models

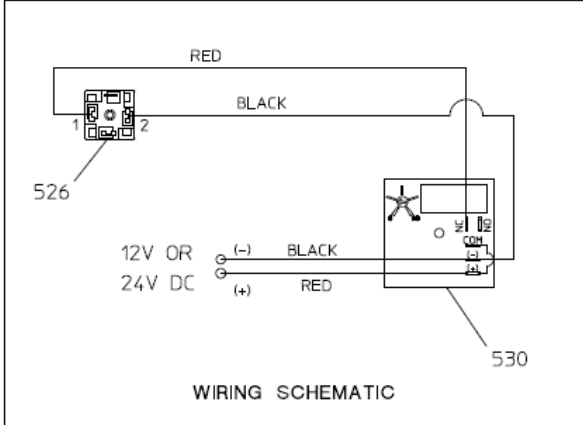
REF. NO.	DESCRIPTION
520	Sump Vent Assembly (Includes 521 thru 533)
521	Straight Adapter, ½ AB x ½ MNPT
522	2-Way Solenoid Valve, ½ in. (Includes 526)
524	Muffler, ½ MNPT
525	Pan Head Screw, No. 8-32 x 1-1/2 in.
526	Solenoid Cable Plug (Includes Mounting Screw and Gas- ket)
528	Solenoid Mounting Bracket

REF. NO.	DESCRIPTION
530	Time Delay Relay
531	Flat Washer, No. 8
532	Nylok Hex Nut, No. 8-32
533	Sump Vent Wire Assembly
534	Straight Adapter, ½ AB x ¾ MNPT
535	Red Air Brake Tubing, ½ in. (Cut to Suit Installation)
600	See Separator Filter Service Parts List



SUMP
VENT
ASS'Y

520
(INCLUDES 521-533)



SUMP VENT