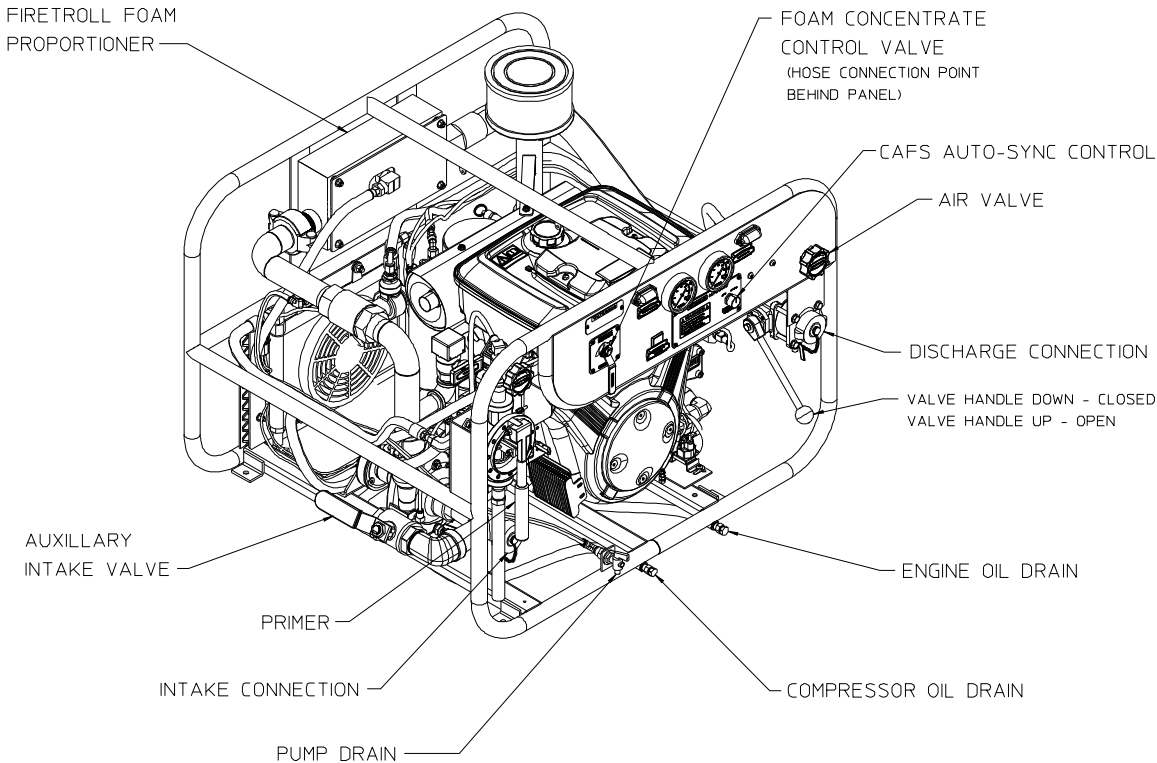
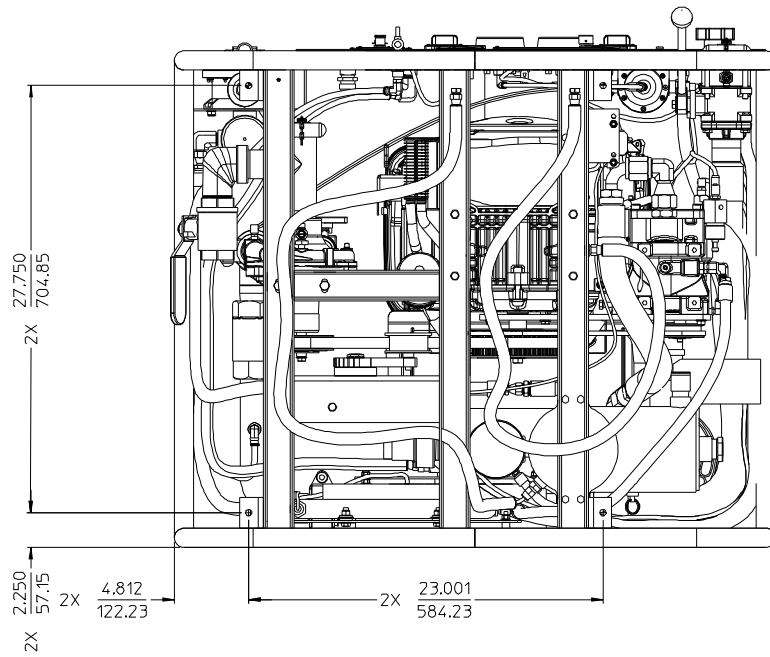
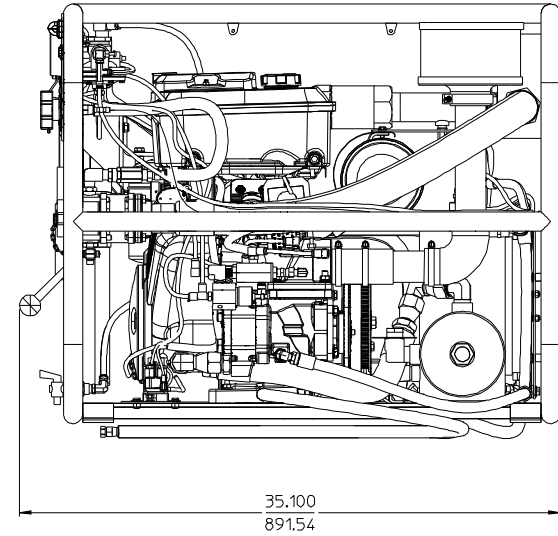
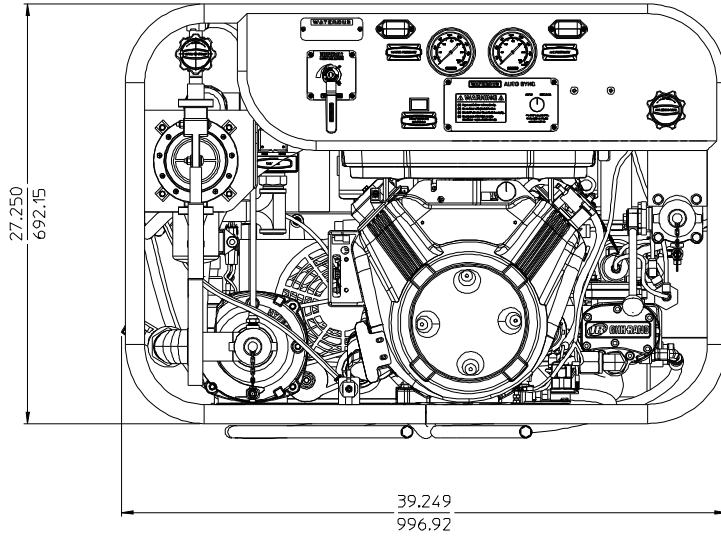


## Dimensional Drawings Model 70-35-GP Portable CAFS Unit

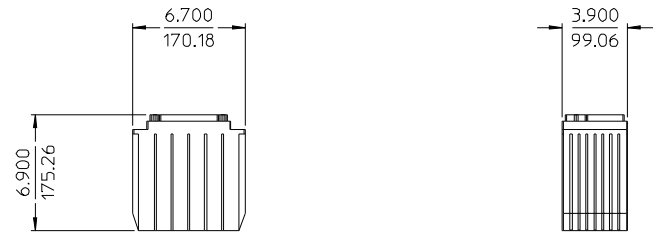
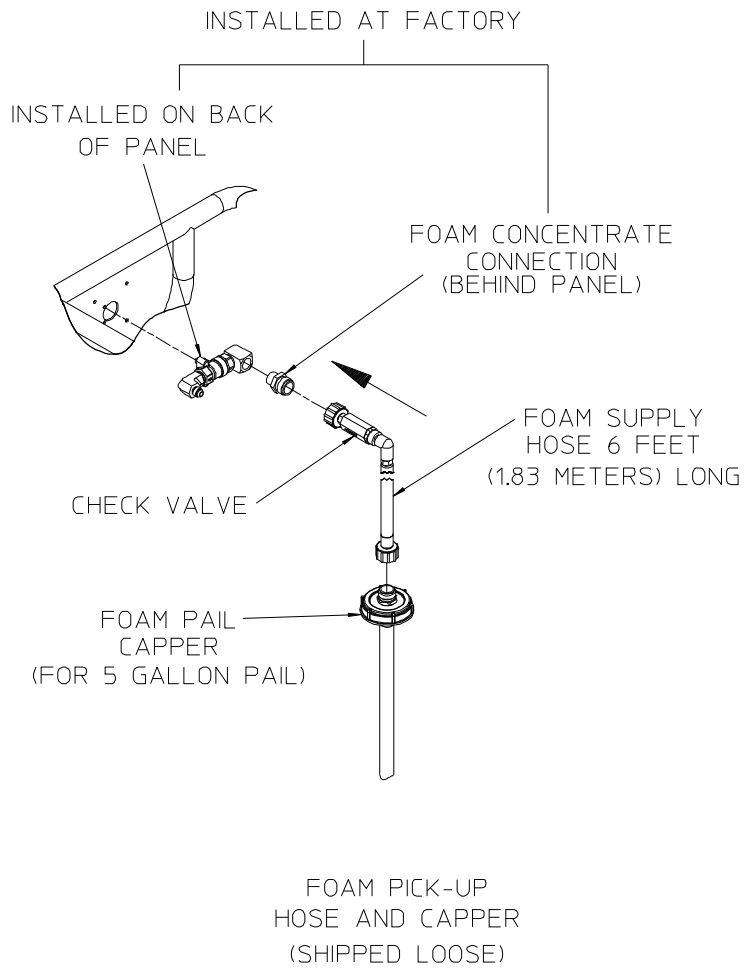


<b>Index:</b>	<b>Page</b>
Unit Dimensions.....	2
Foam Pick-up Hose.....	3
Optional Fuel Tank.....	3
Optional Battery.....	3



ALL DIMENSIONS SHOWN AS INCH/MILLIMETER  
( INCH / MILLIMETER )

**UNIT DIMENSIONS**



OPTIONAL BATTERY