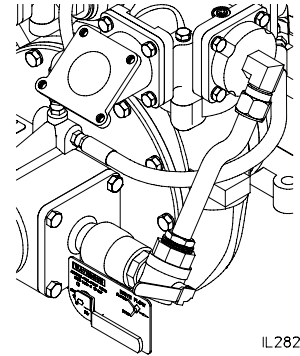




SPECIFICATIONS – ACCESSORIES: RTP FOAM PROPORTIONER
Round-the-Pump Foam Proportioner for HL Series Pumps

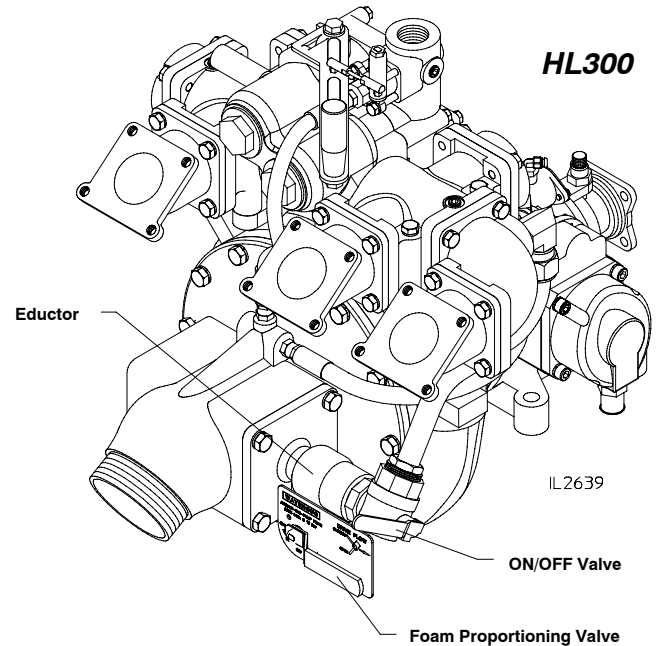
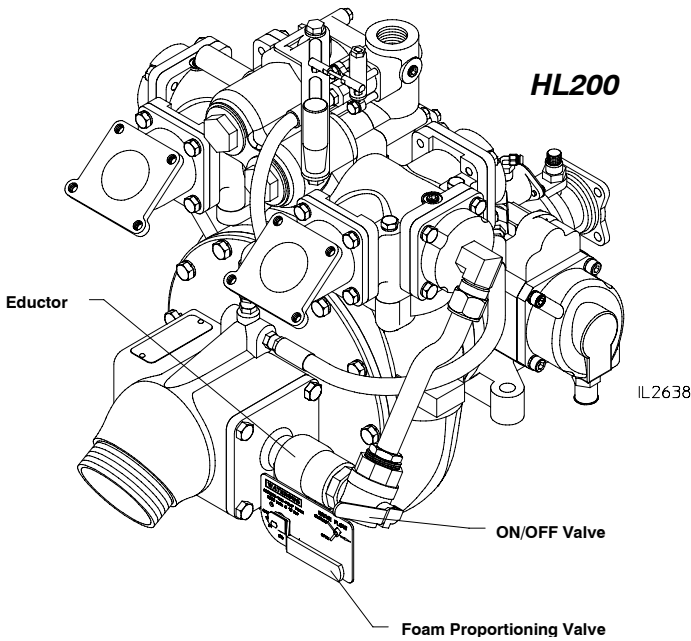
The Waterous Round-the-Pump Foam Proportioner consists of an eductor, foam proportioning valve and an ON/OFF control valve. When activated, a portion of the pump discharge flow is directed to the eductor. This flow causes a pressure drop in the eductor, which draws foam concentrate through the proportioning valve. The foam mixes with the water flowing through the eductor, and the foam solution flows through the pump and is then delivered to the discharge outlets.



IL2829

Features and Benefits:

- Preset positions for 1%, 3% and 6% foam proportioning
- Compact design, simple to use.
- Foam pick-up connections for either onboard tank or foam container.
- Can be retrofitted to any HL Series pump.
- Provides foam to high and low pressure discharges.
- 4.62 Kg (10.2 lbs)



Industry-Leading Sales and Support

When you purchase Waterous equipment, not only do you get quality products, you get quality service. Our expert service technicians are the best in the business and they are always happy to answer any service questions you might have.

Sales/Applications Assistance
 Phone: 651-450-5234 (Press 3)
 pumpsales@waterousco.com

Service Assistance
 Phone: 651-450-5200
 Fax: 800-488-1228
 service@waterousco.com