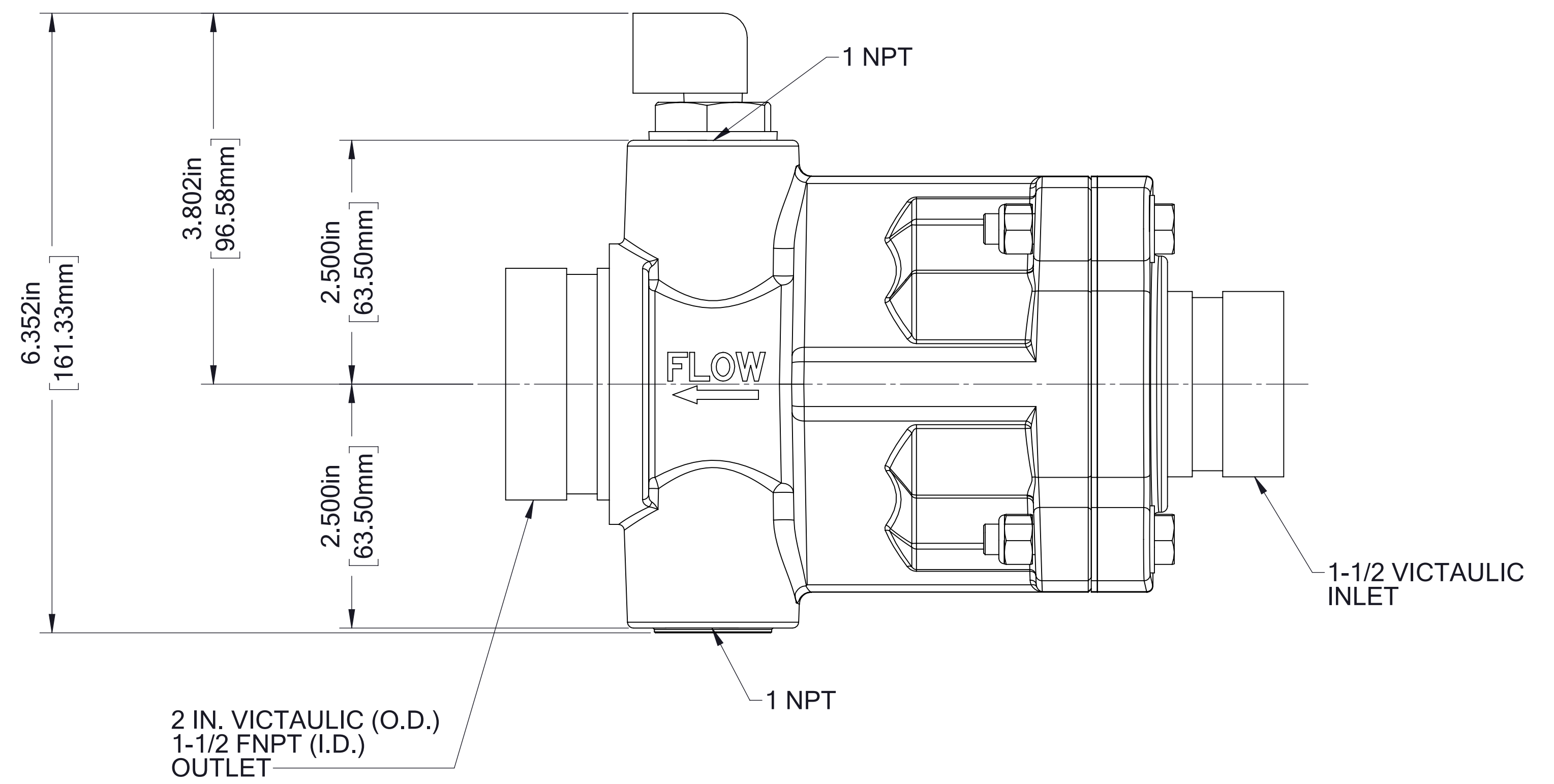
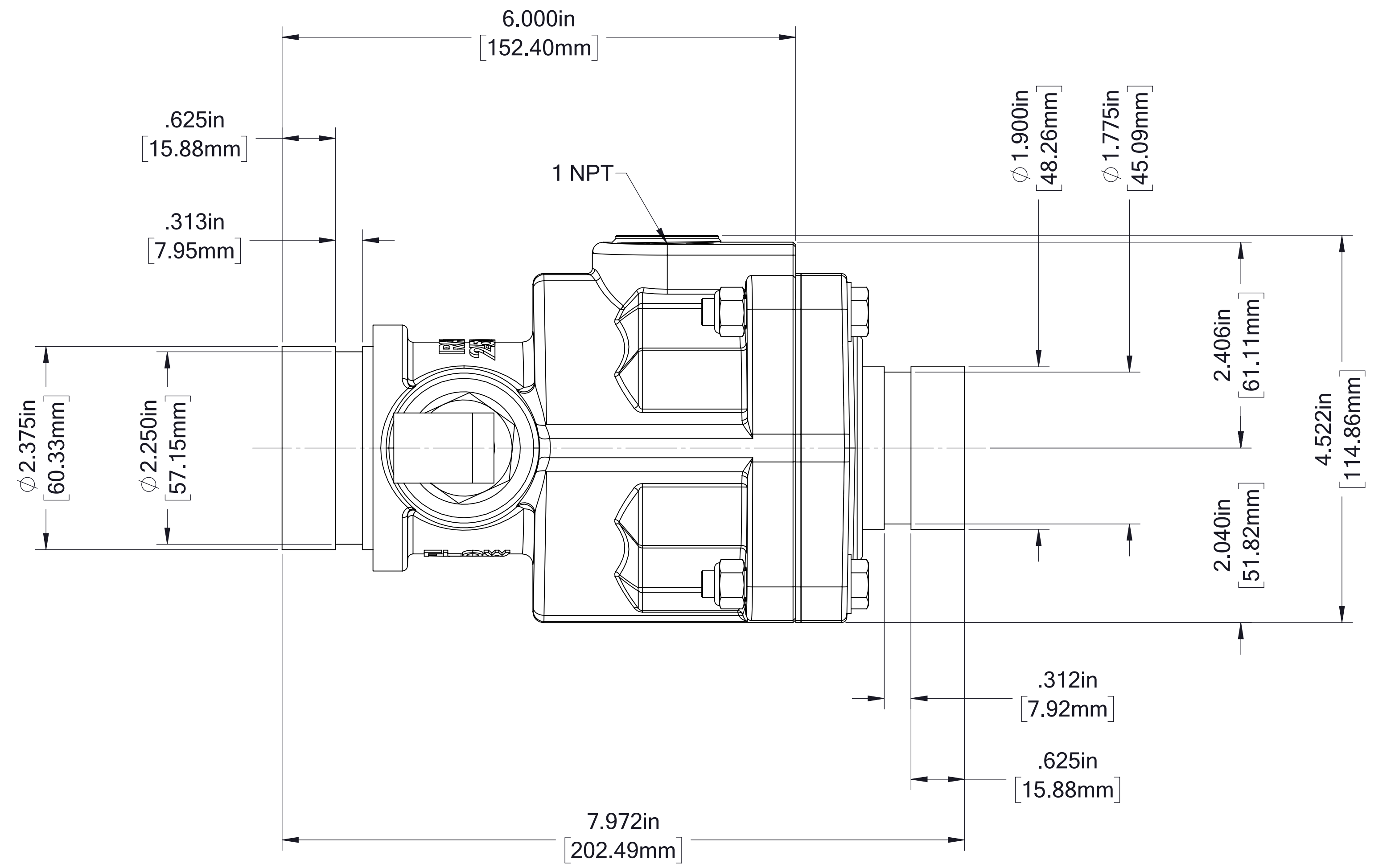
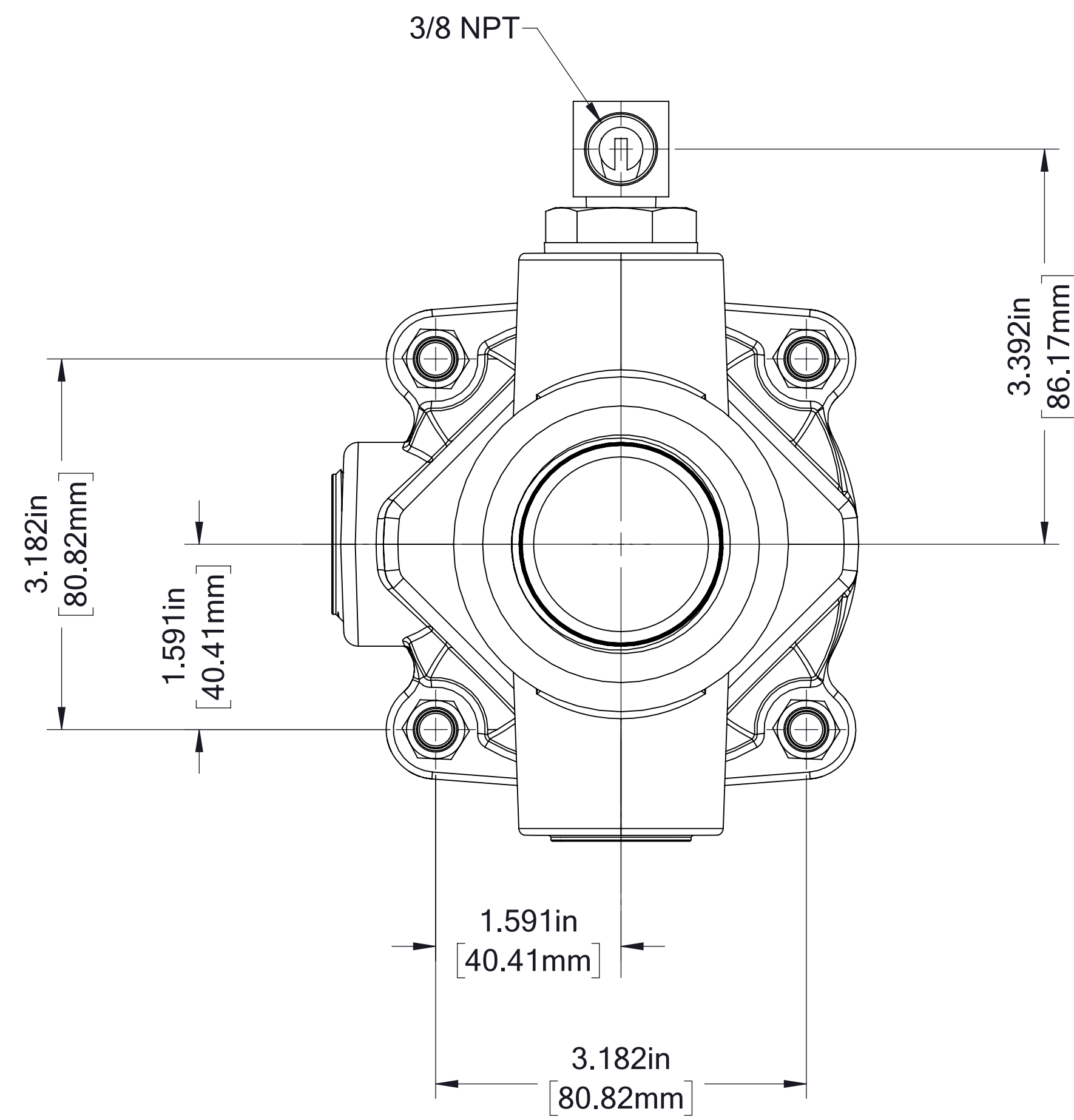


Master Waterway Check Valve Dimensional Drawing

Optional for Aquis and Advantus Foam Systems

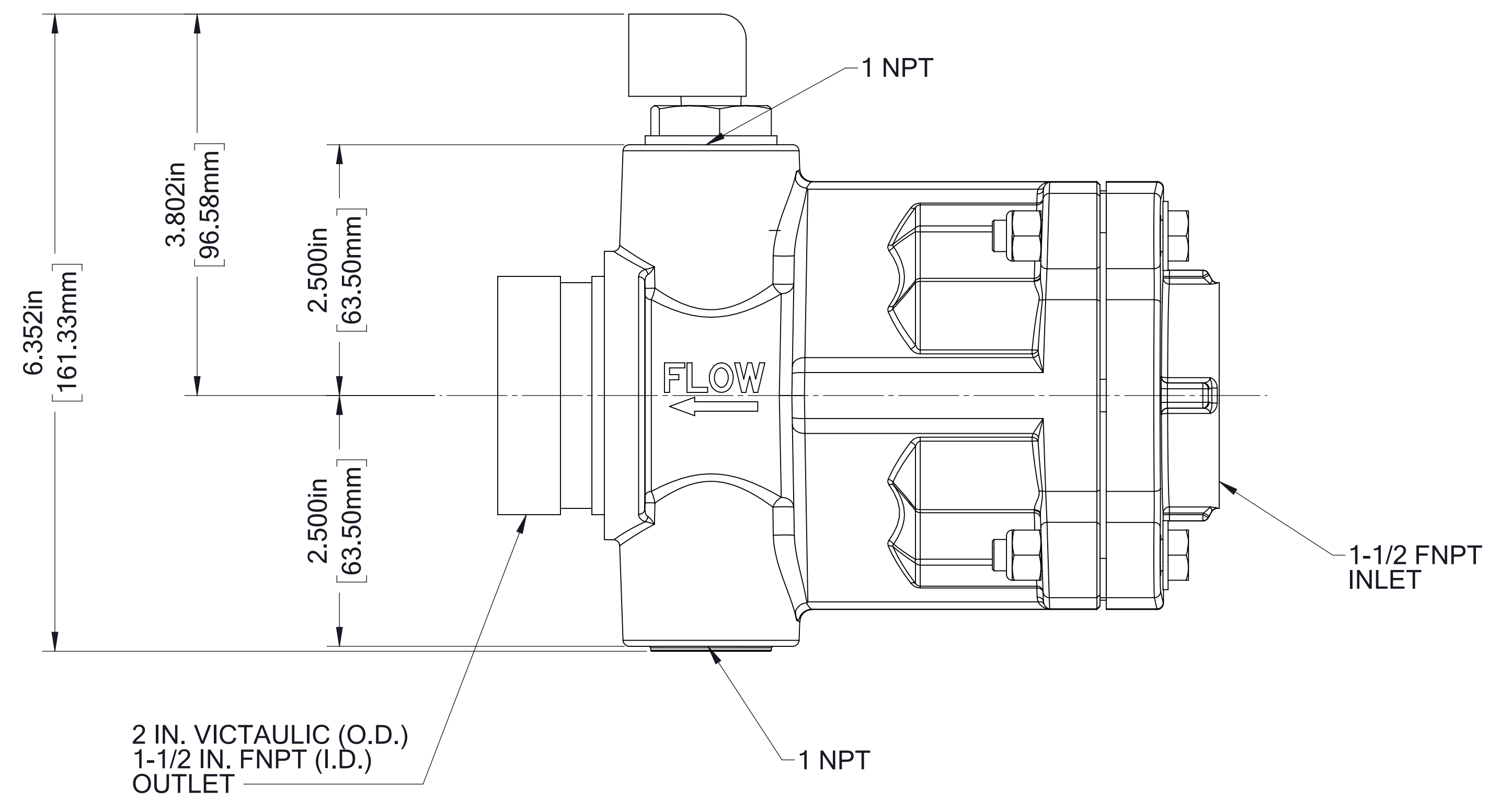
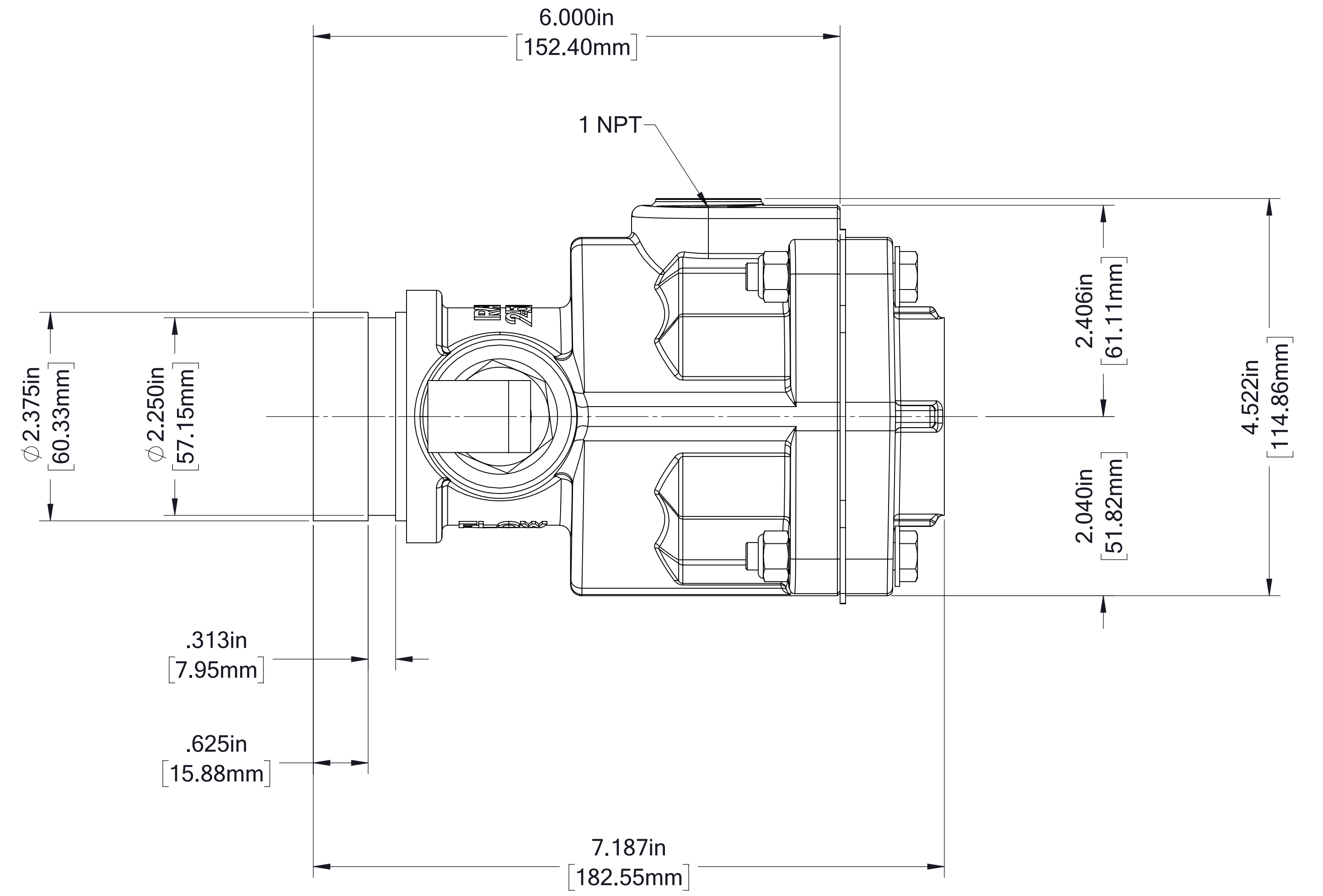
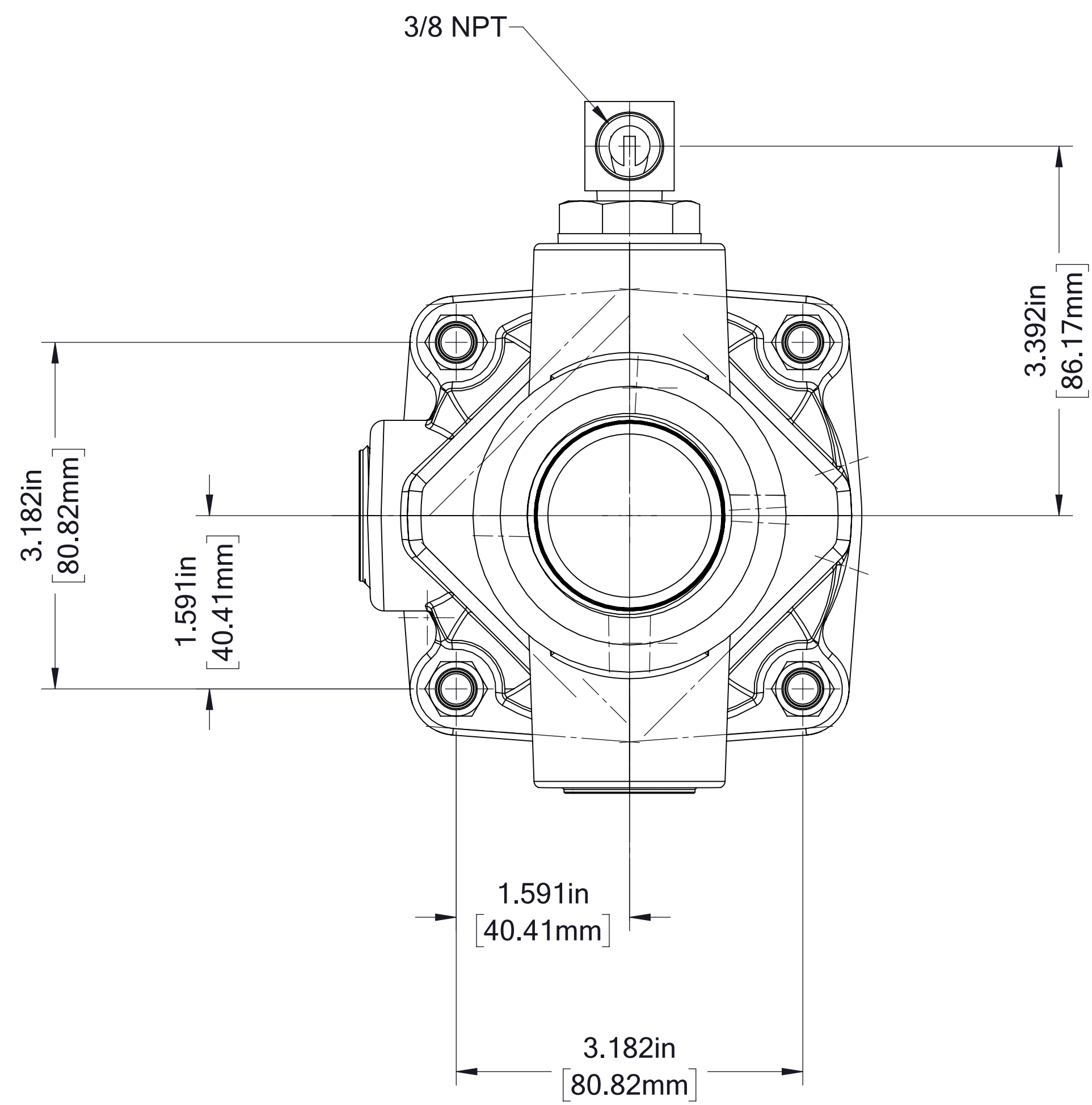
Manufacturer	Valve		Part Number	See Page	
	Size	Connections			
		Inlet			Outlet
Elkhart	1.5 in.	Victaulic	FNPT/Victaulic	83380-2A	2
		FNPT	FNPT/Victaulic	83380-2B	3
	2.0 in.	Victaulic	FNPT	83380-2C	4
			Victaulic	83380-2D	5
	2.5 in.	Victaulic	FNPT	83380-2E	6
			Victaulic	83380-2F	7
	3.0 in.	Victaulic	FNPT	83380-2G	8
			Victaulic	83380-2H	9
Akron	1.5 in.	Victaulic	FNPT/Victaulic	83380-1A	10
		FNPT	FNPT/Victaulic	83380-1B	11



ELKHART CHECK VALVE, 1.5 IN.

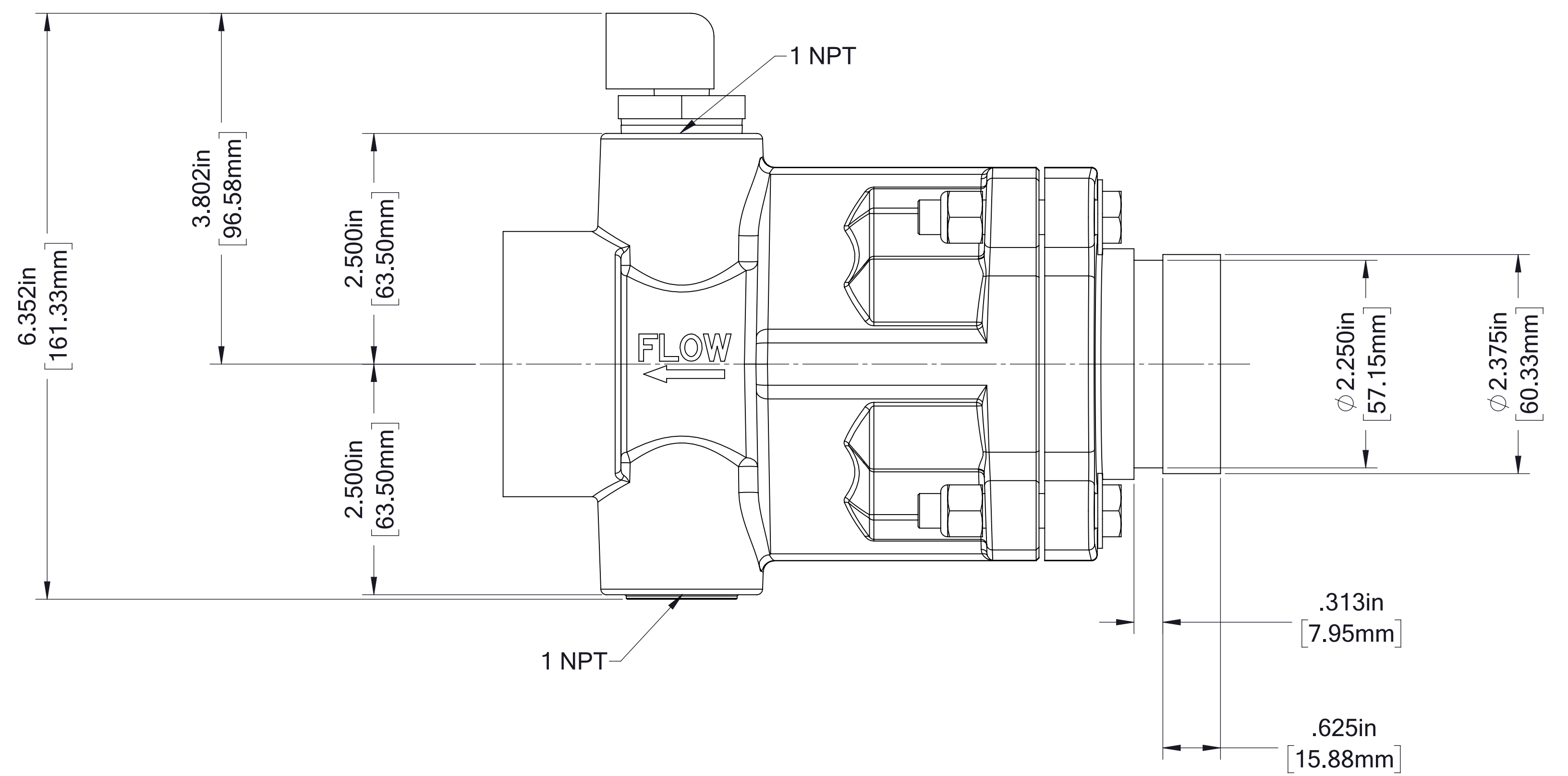
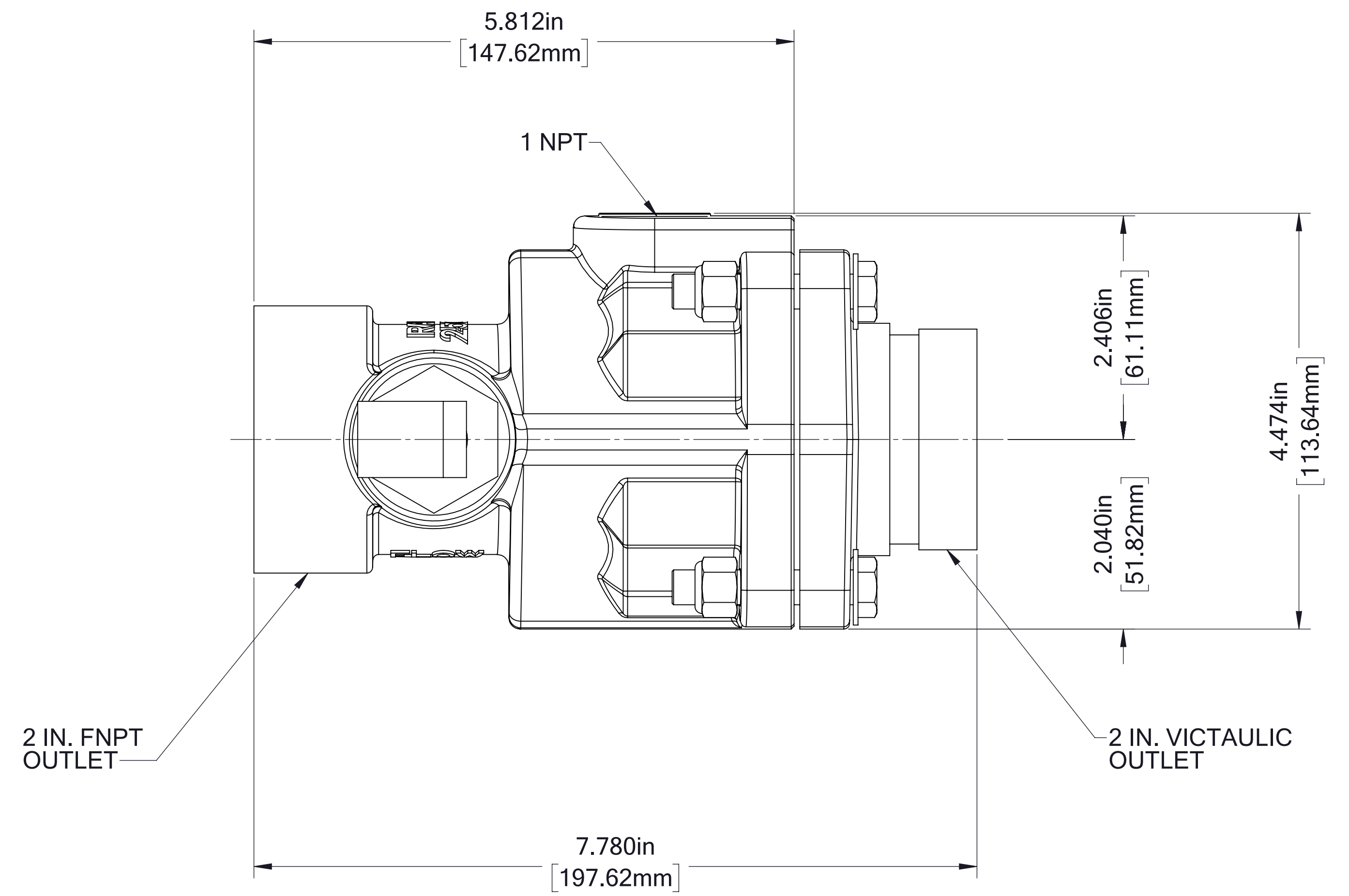
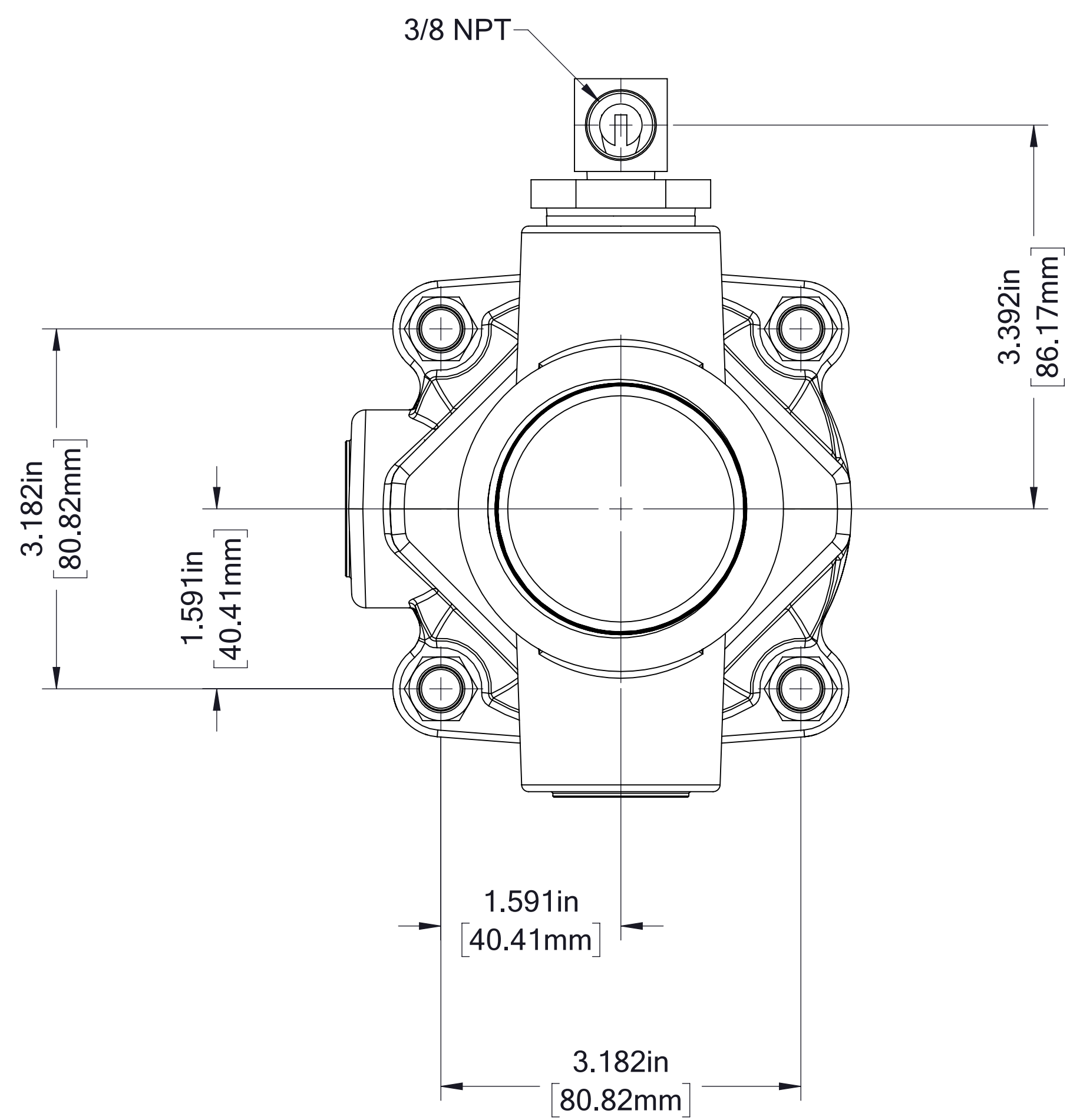
VICTAULIC/FNPT X VICTAULIC

PART NUMBER: 83380-2A



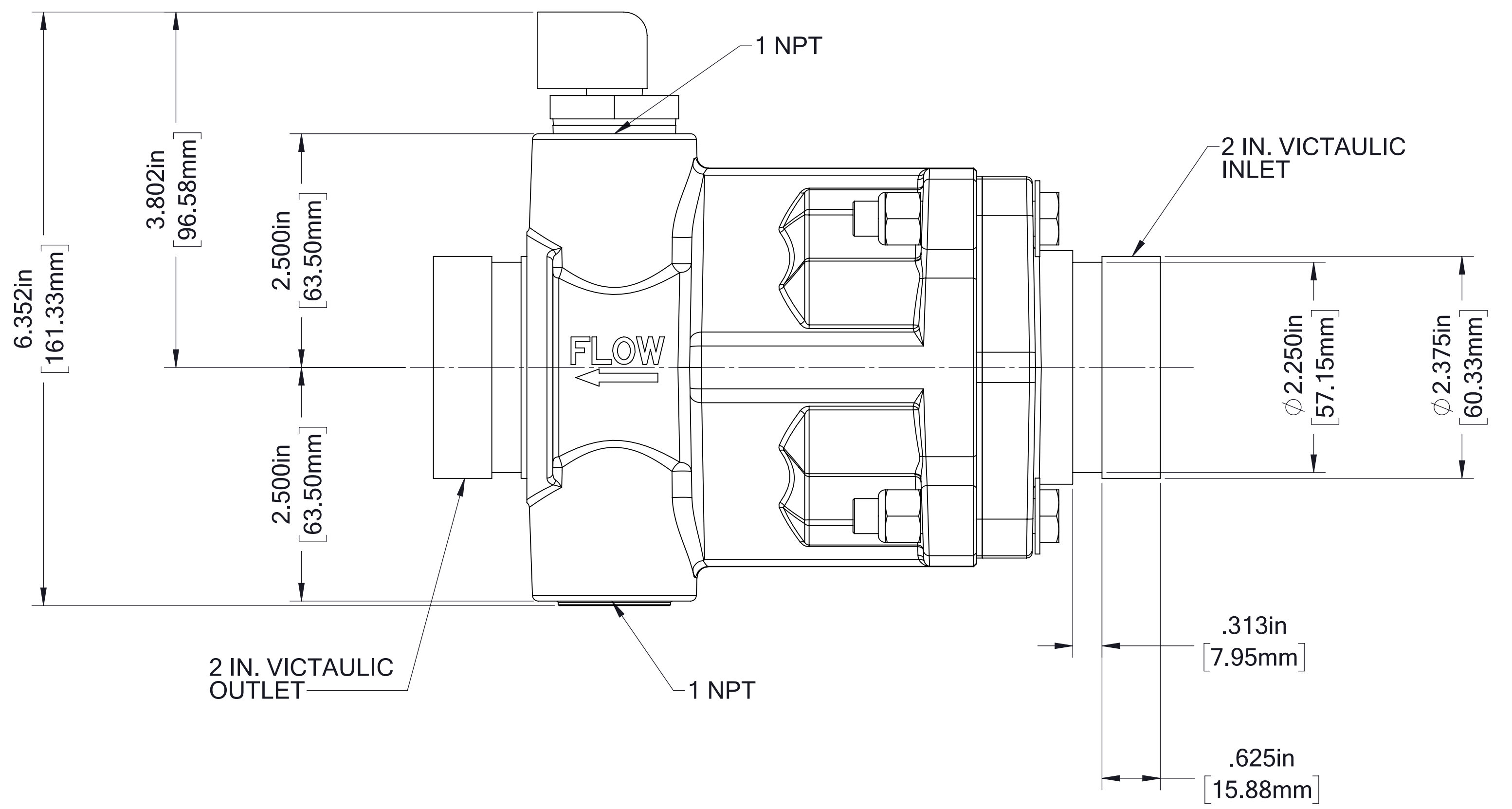
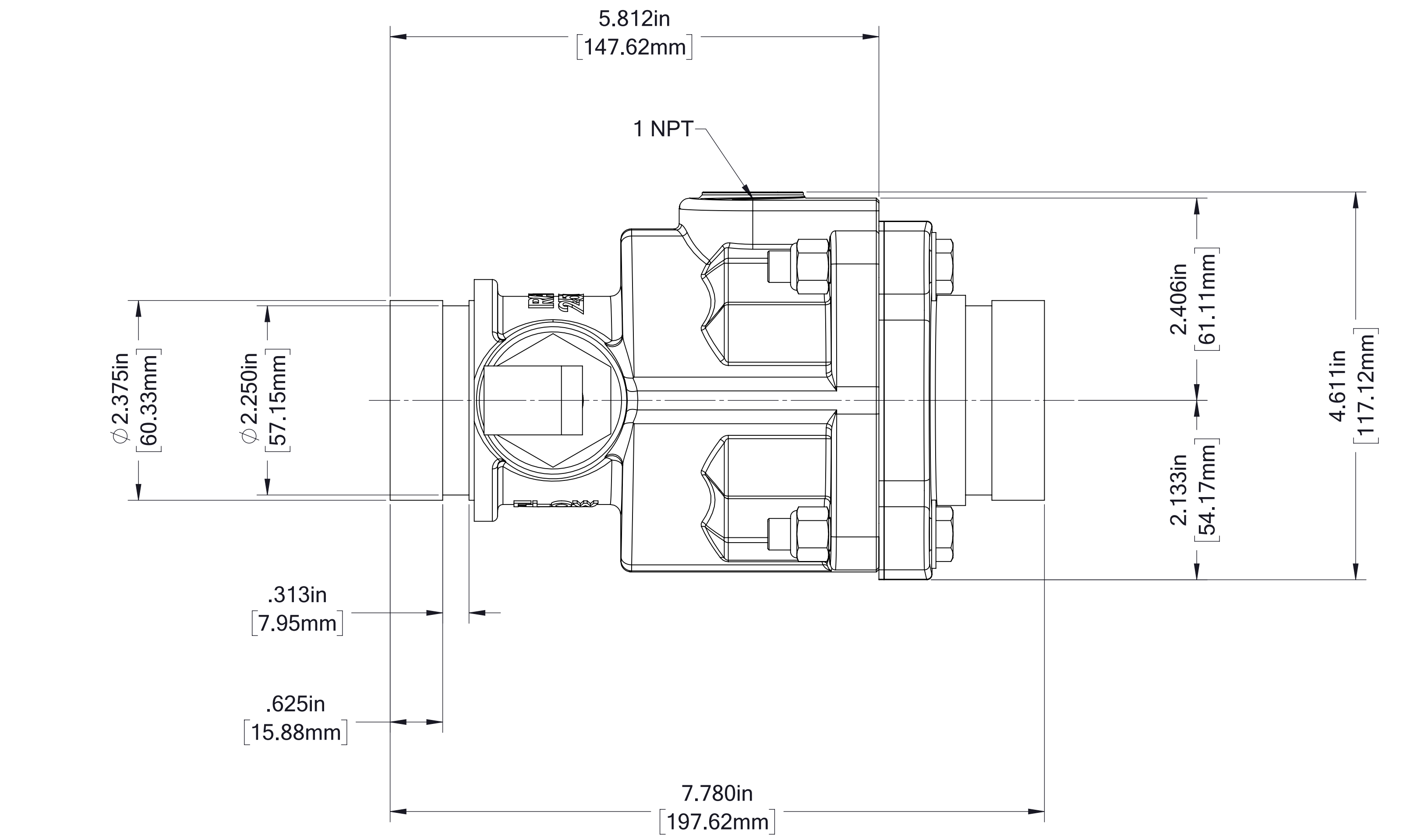
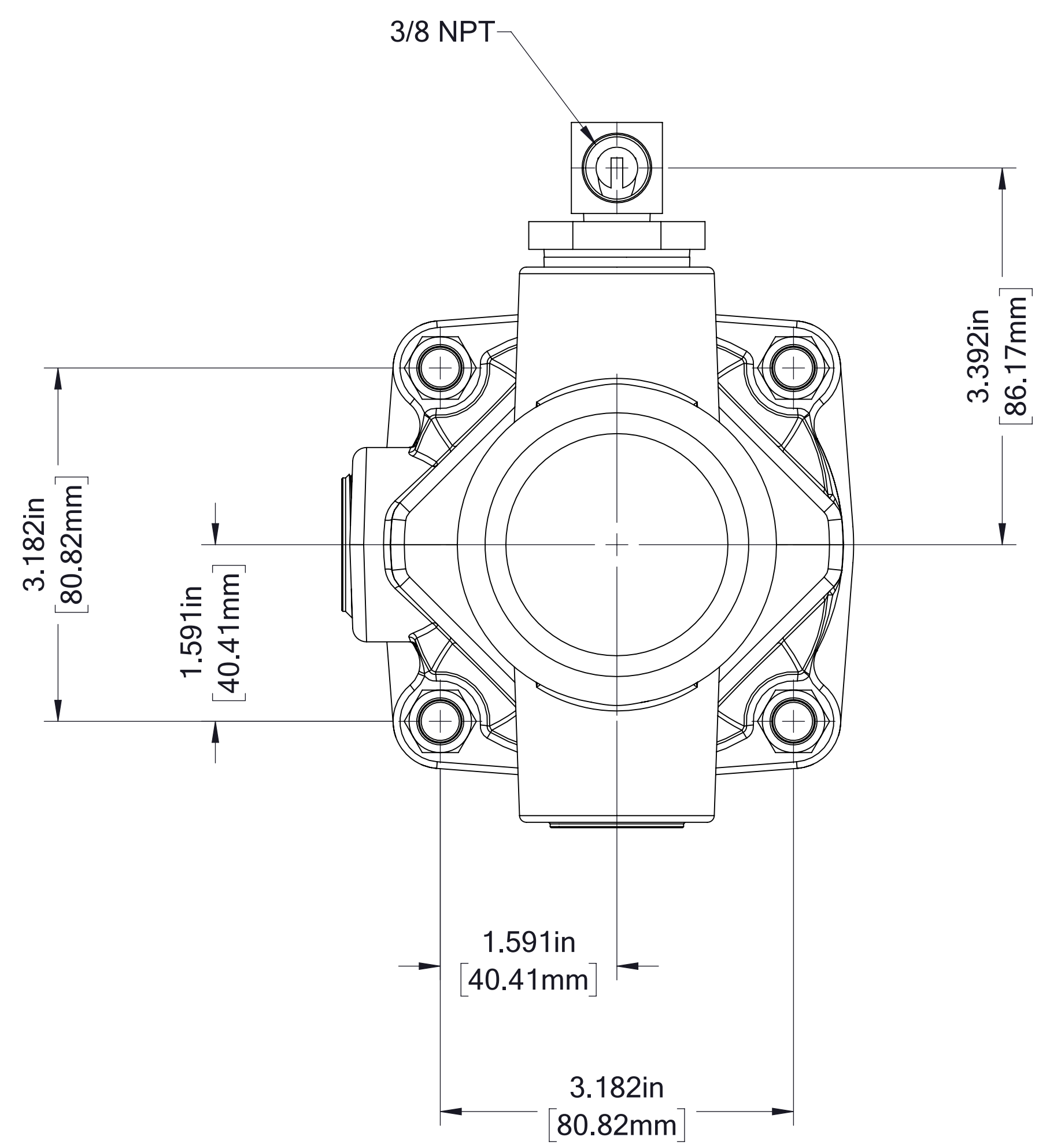
ELKHART CHECK VALVE, 1.5 IN.

VICTAULIC/FNPT X FNPT
PART NUMBER: 83380-2B



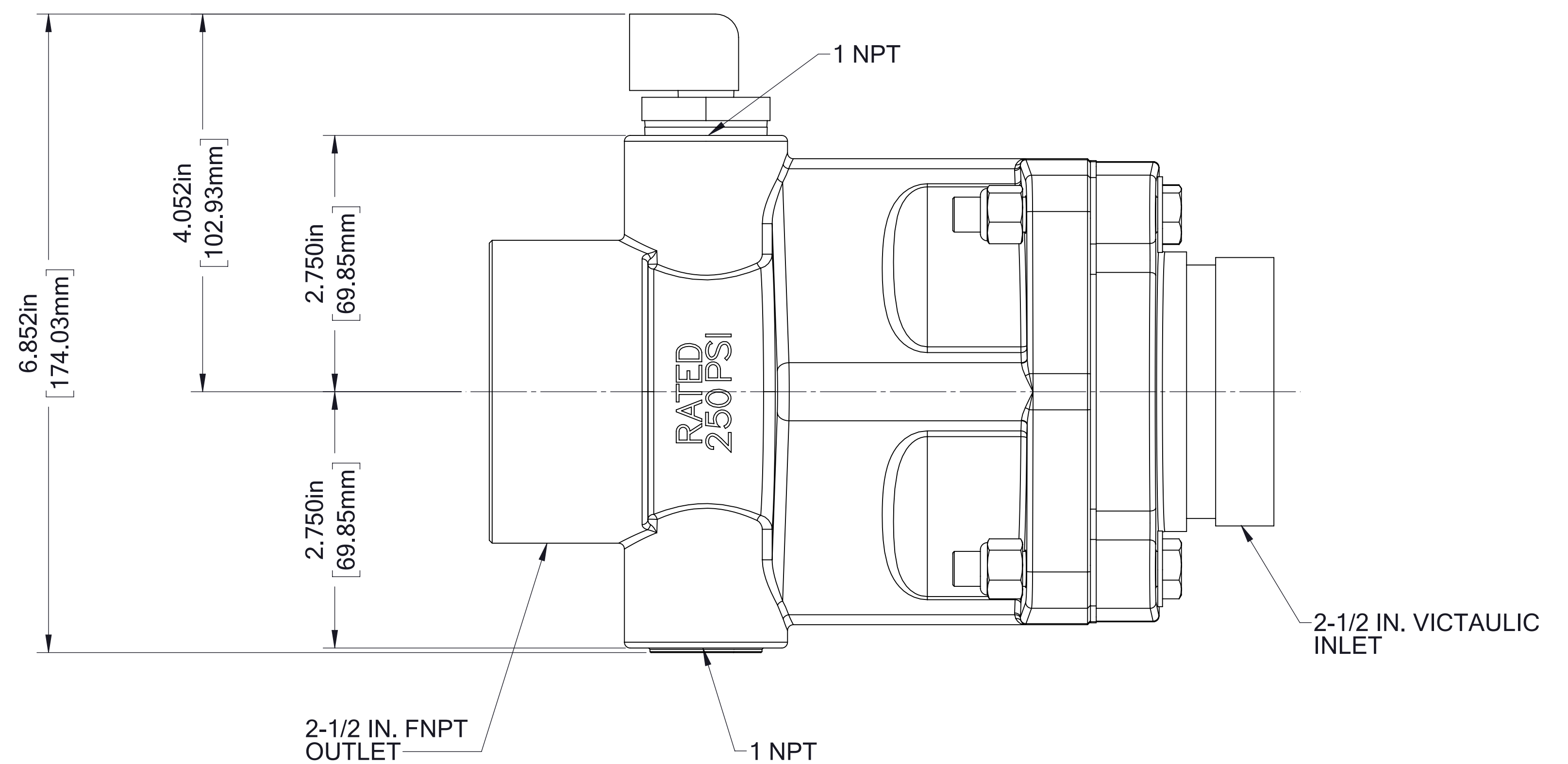
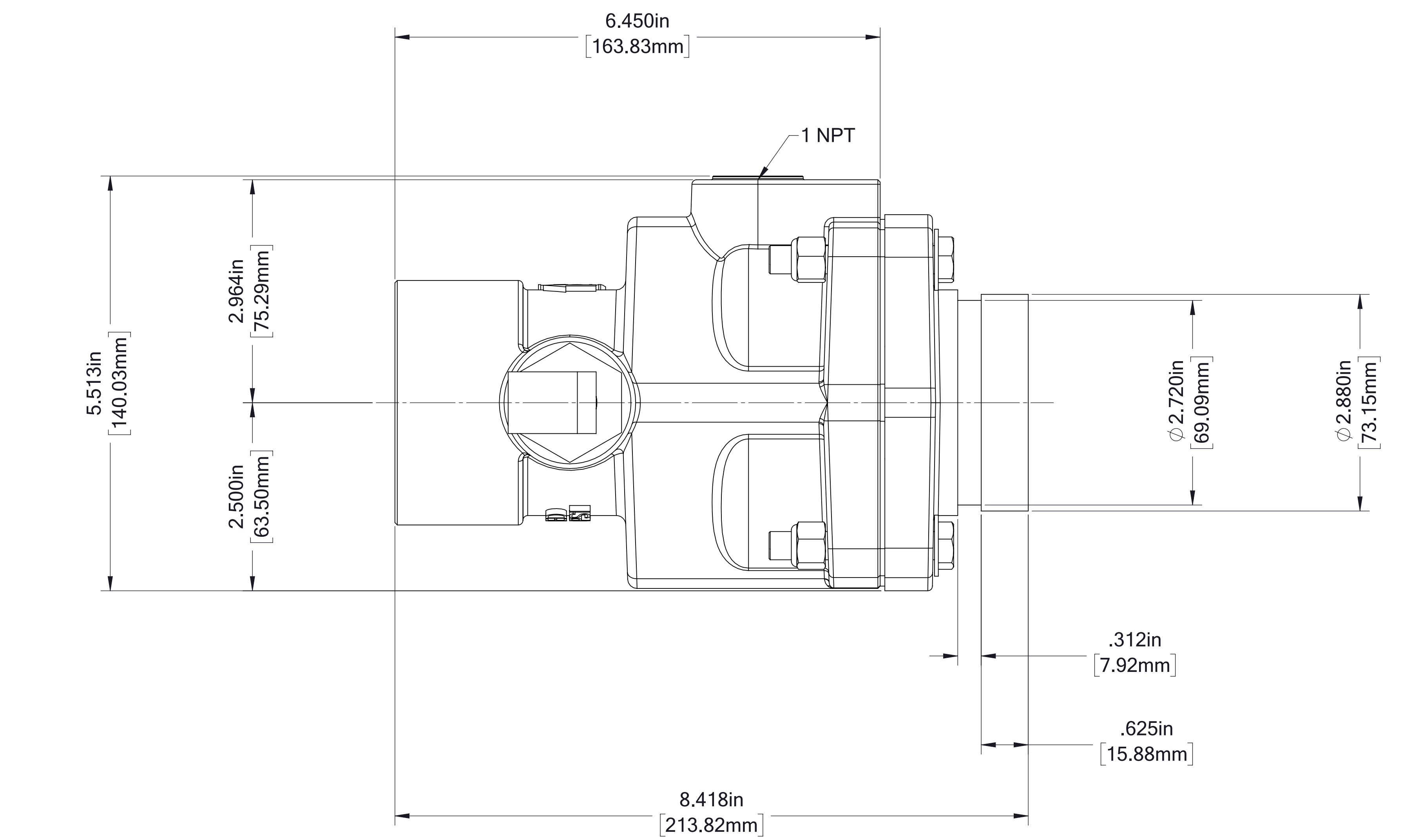
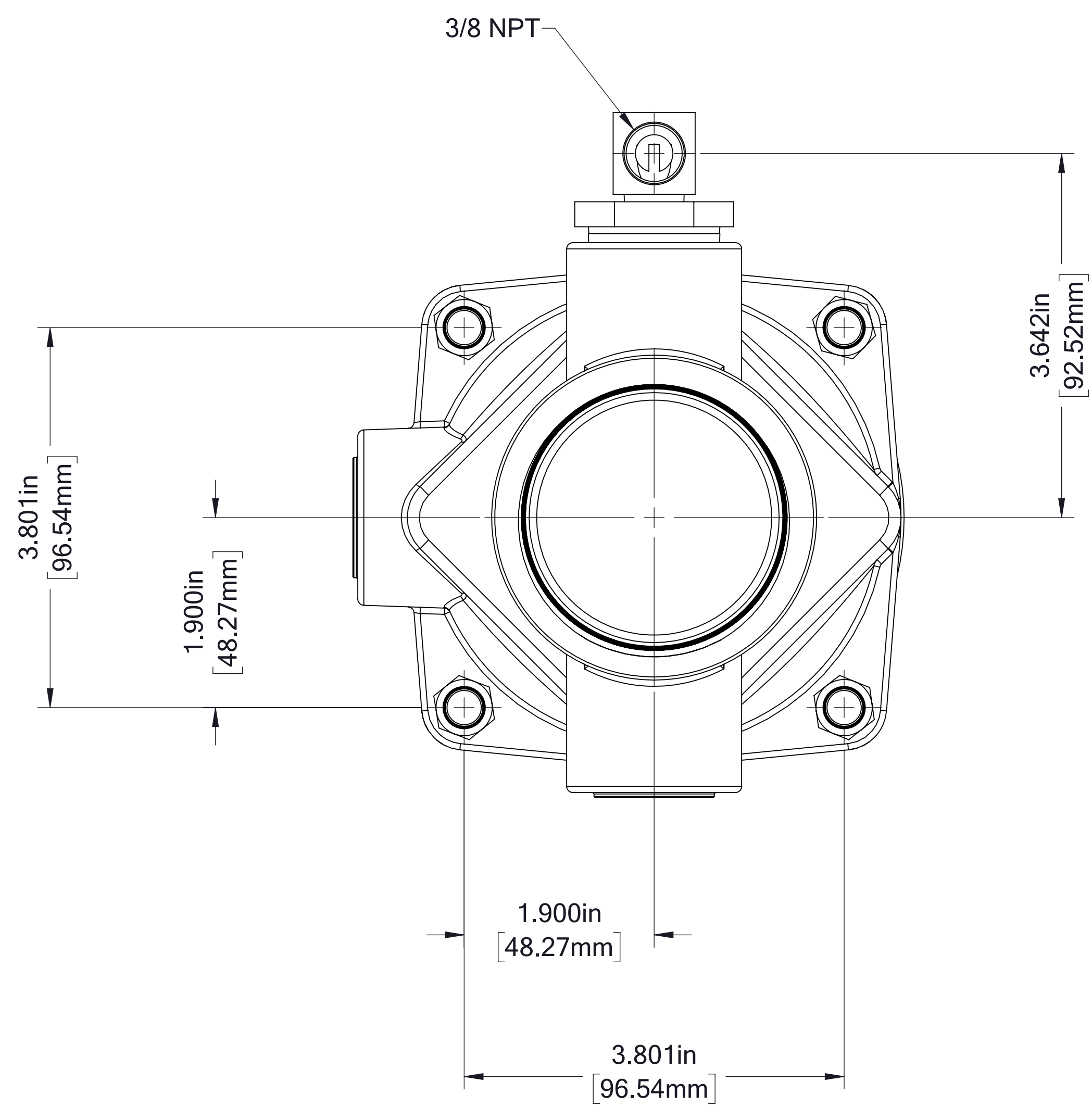
ELKHART CHECK VALVE, 2.0 IN.

VICTAULIC X FNPT
PART NUMBER: 83380-2C



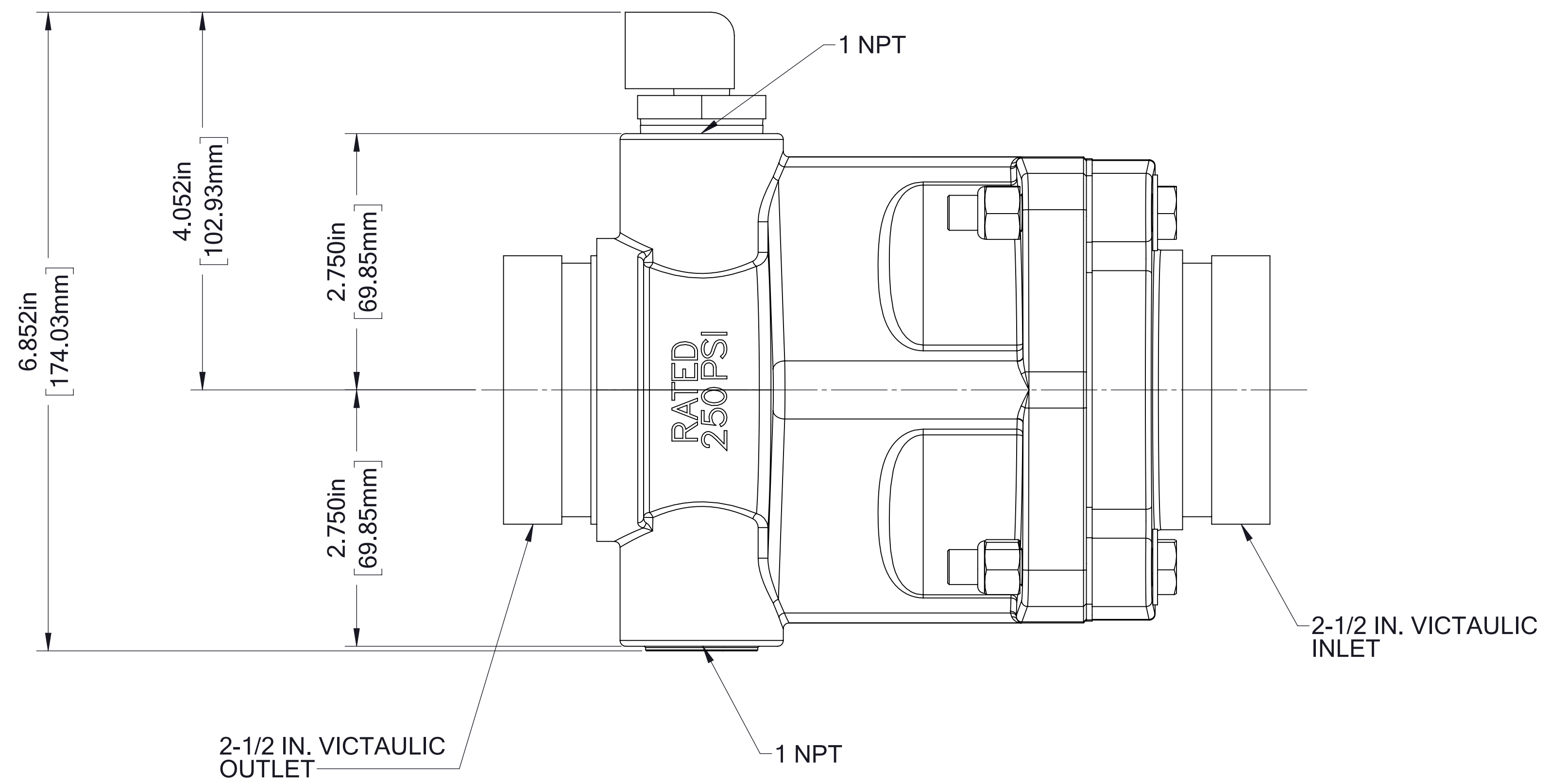
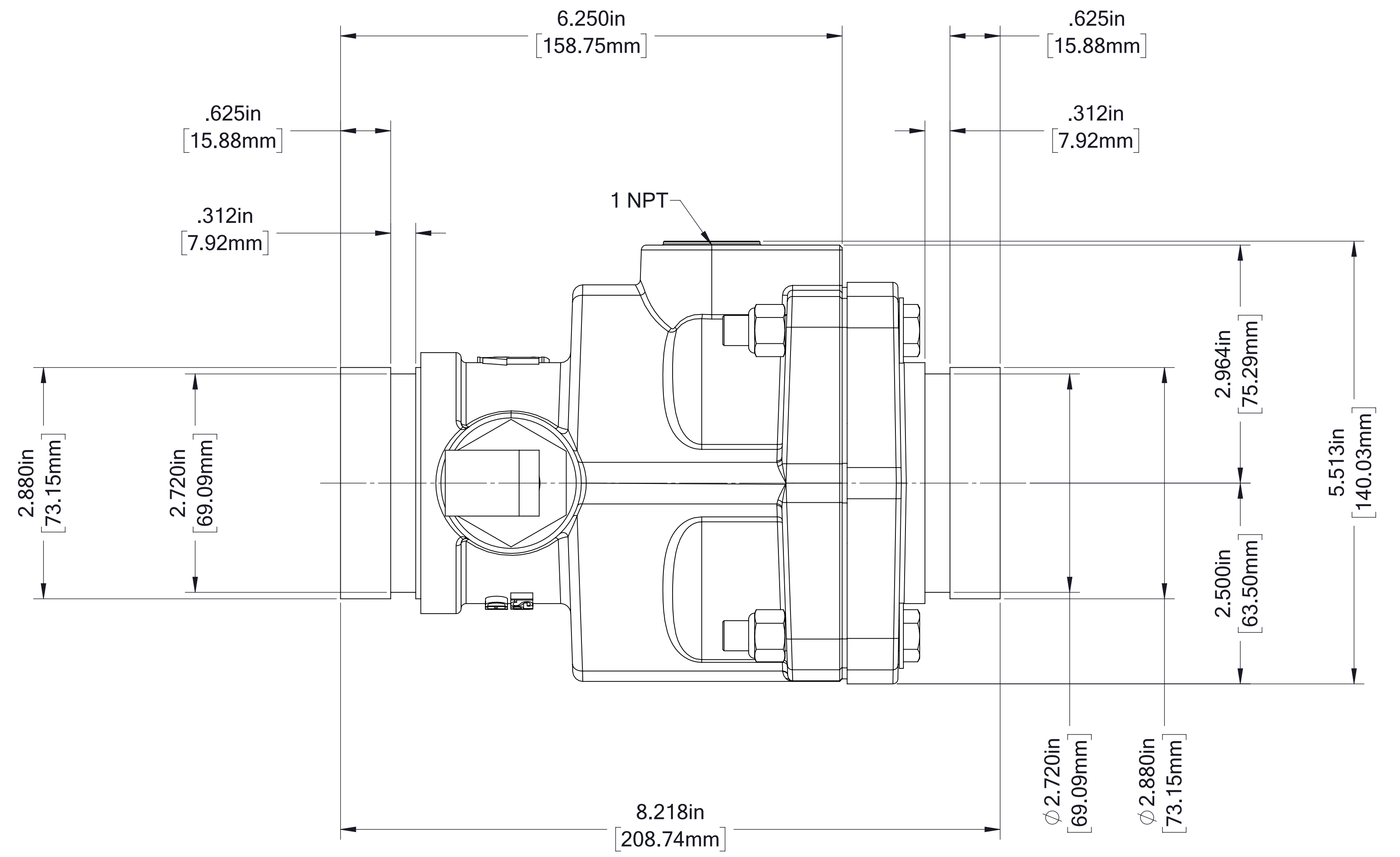
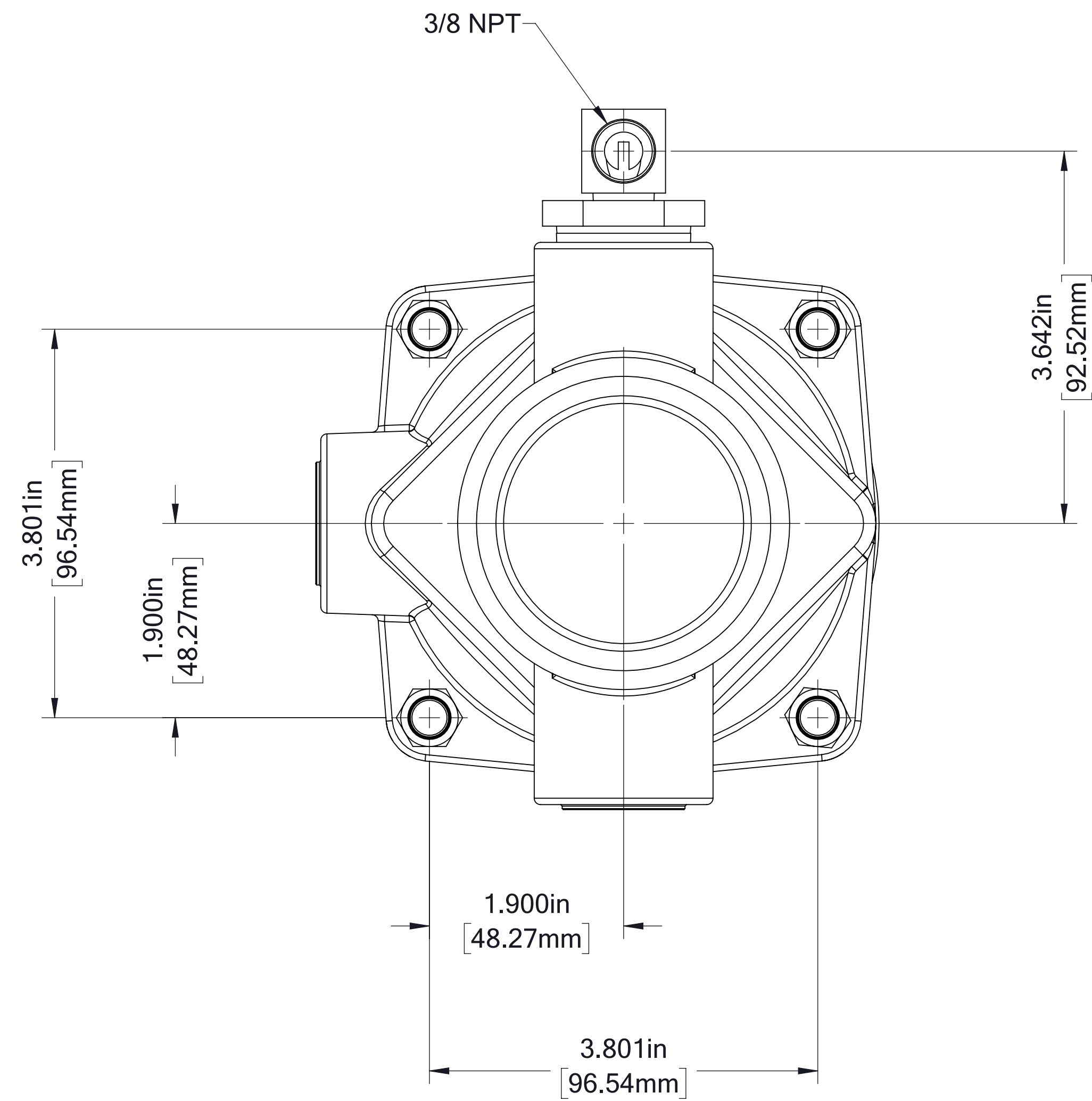
ELKHART CHECK VALVE, 2.0 IN.

VICTAULIC X VICTAULIC
PART NUMBER: 83380-2D



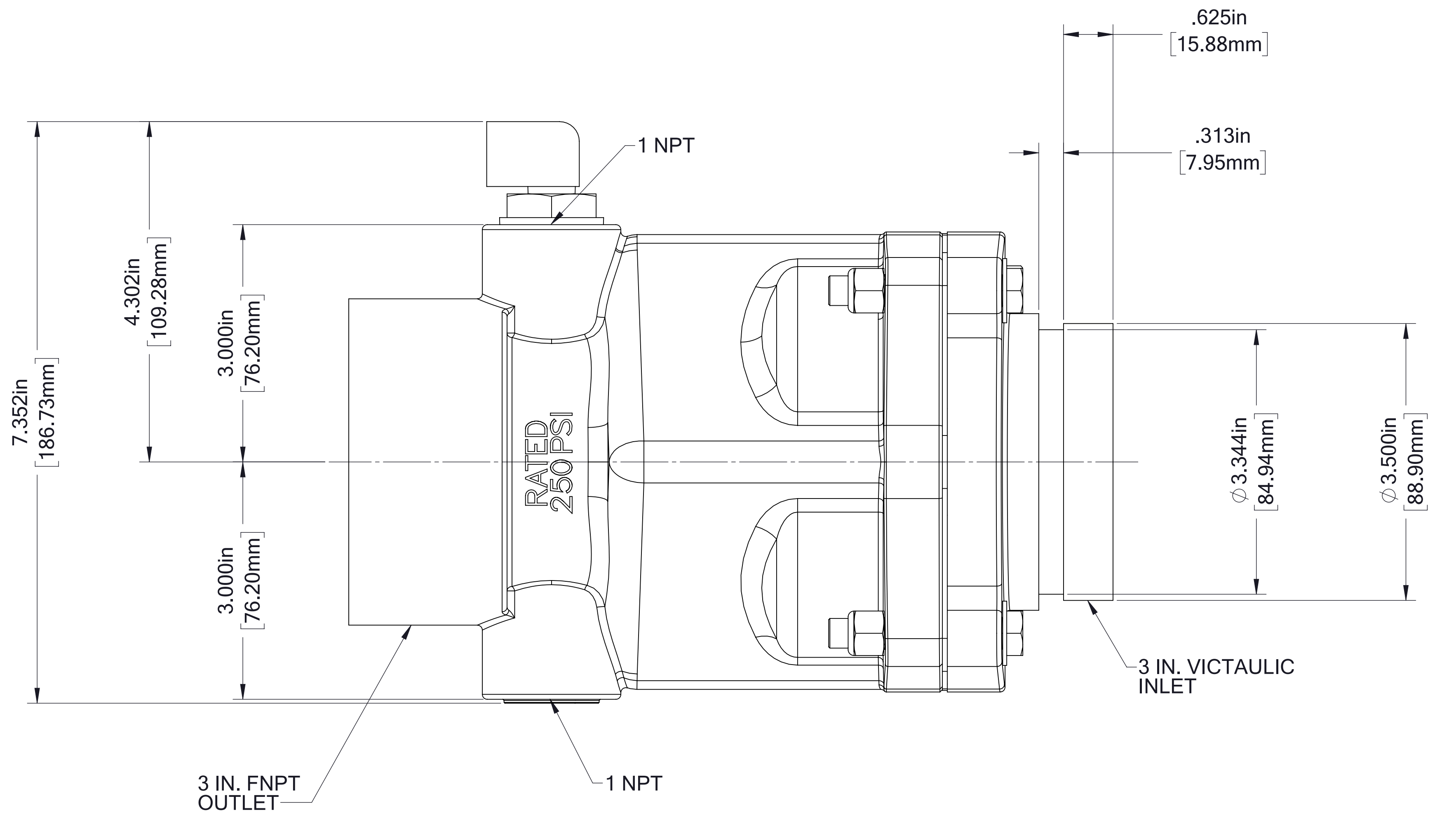
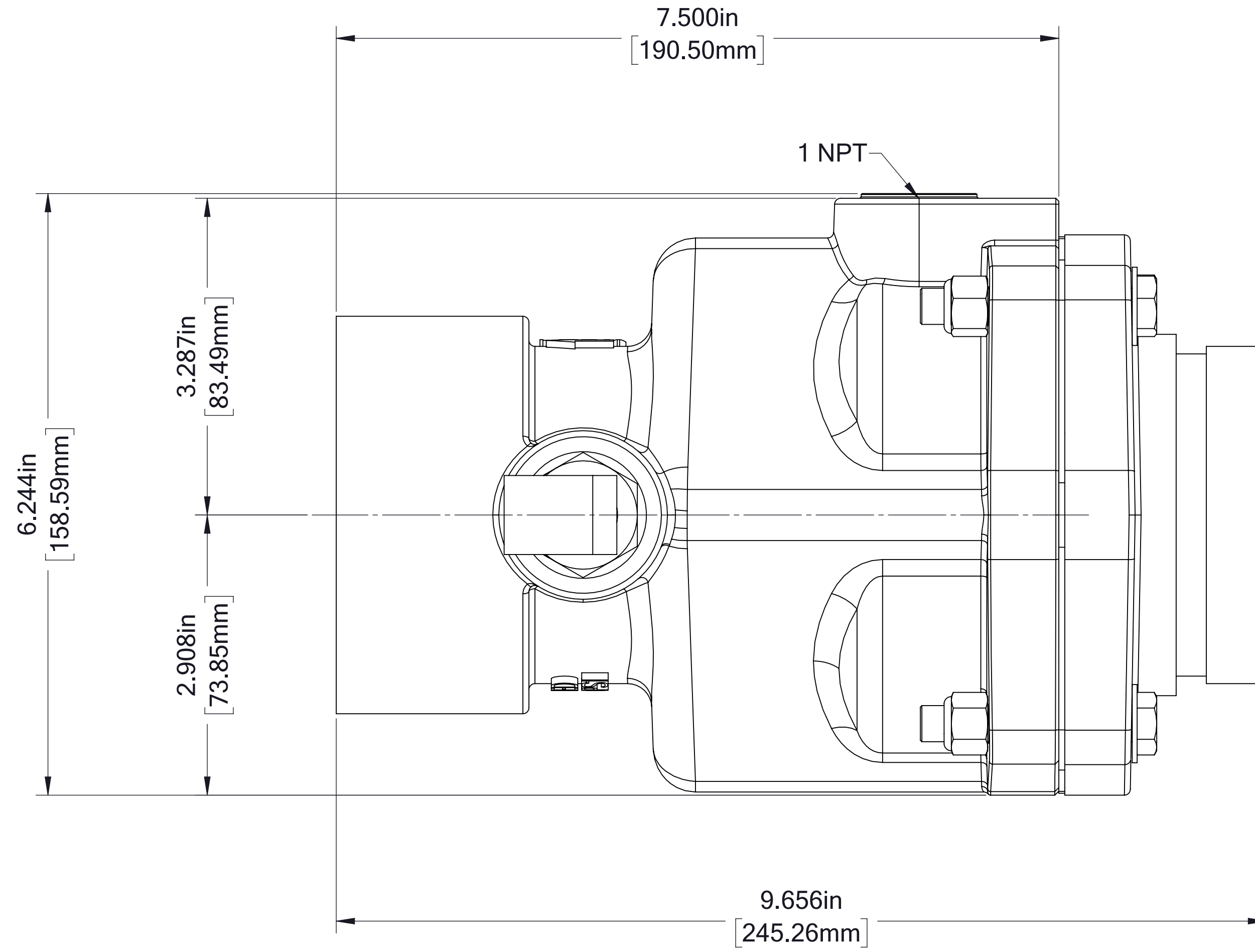
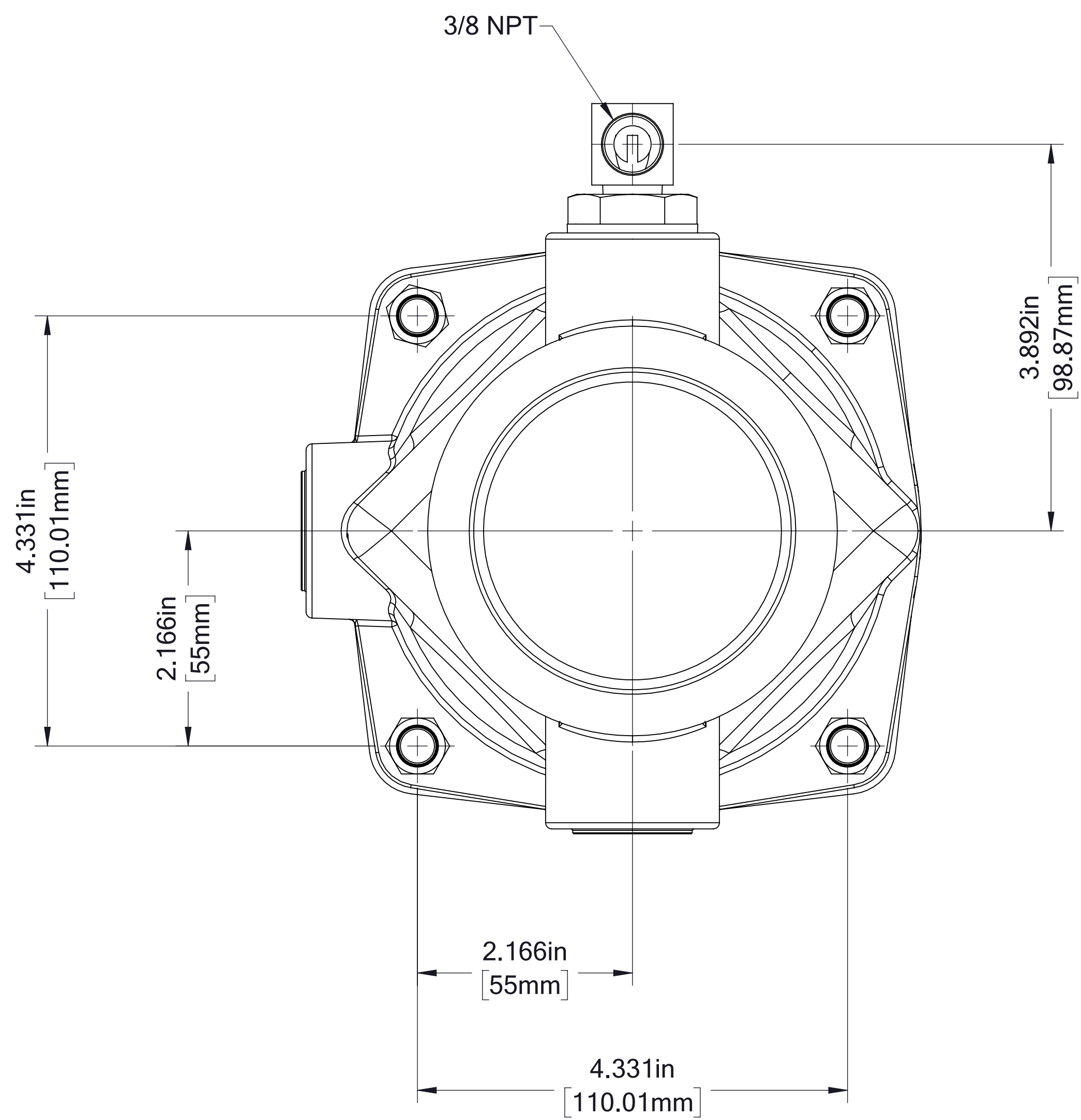
ELKHART CHECK VALVE, 2.5 IN.

VICTAULIC X FNPT
PART NUMBER: 83380-2E



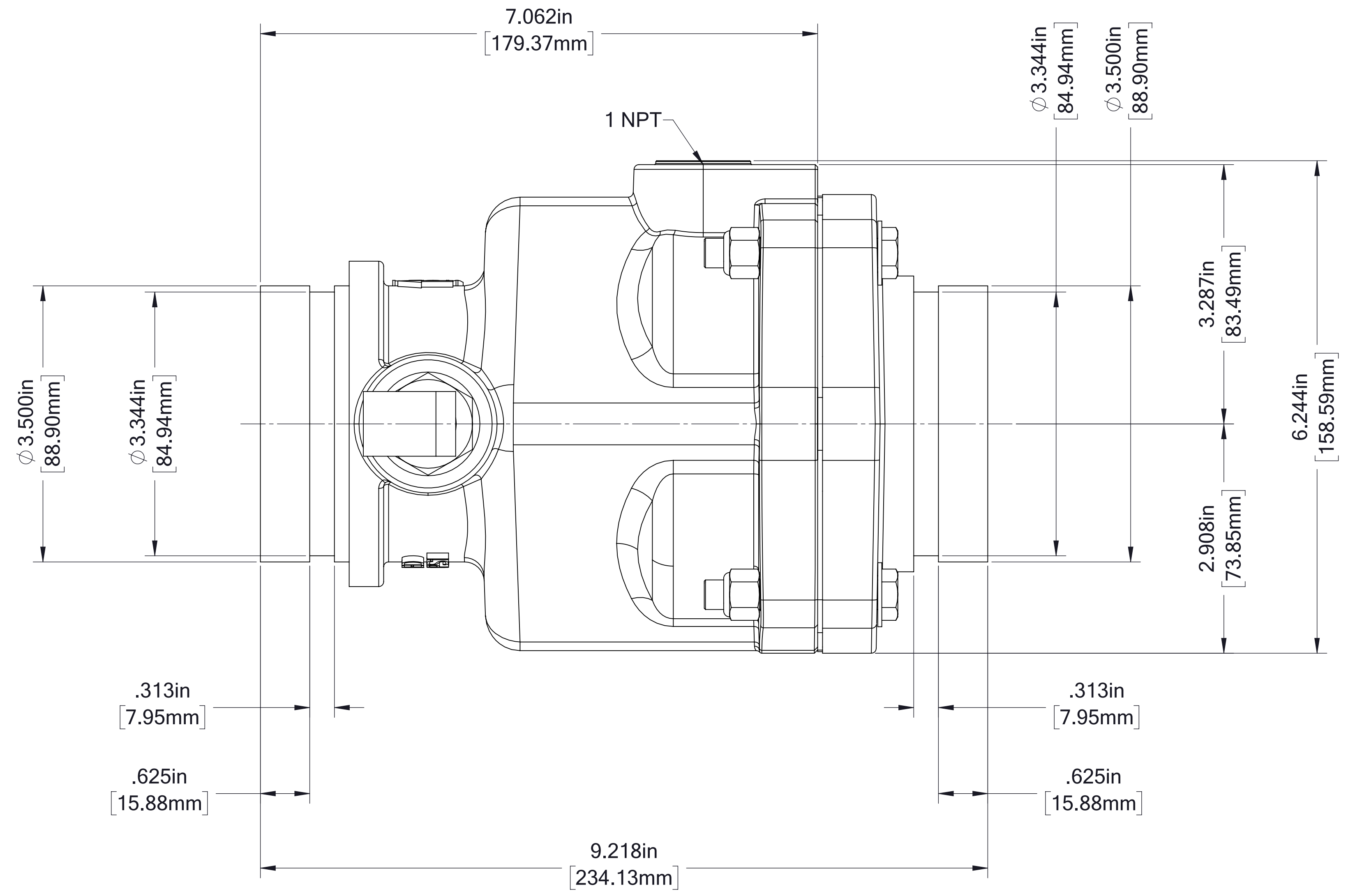
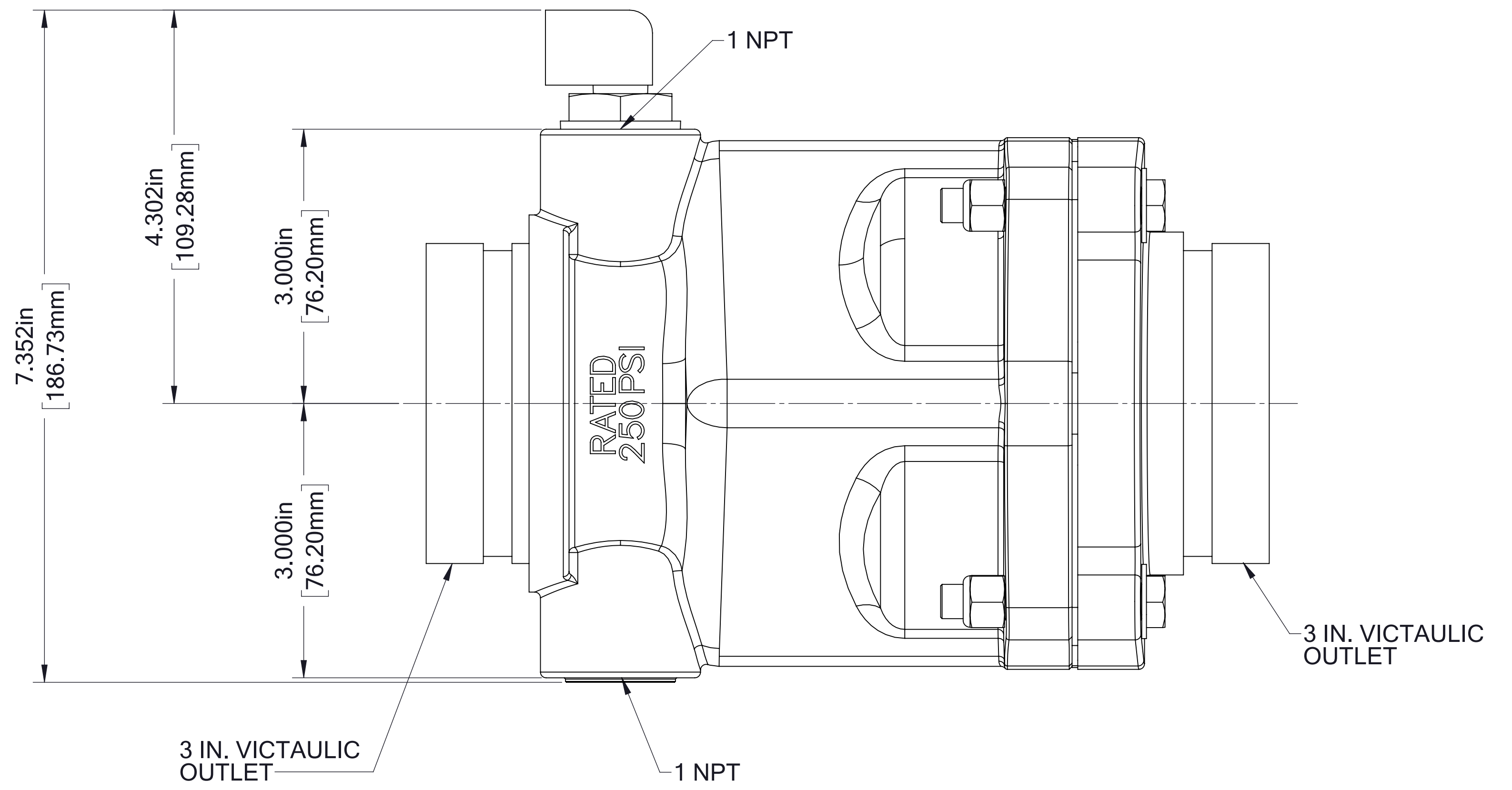
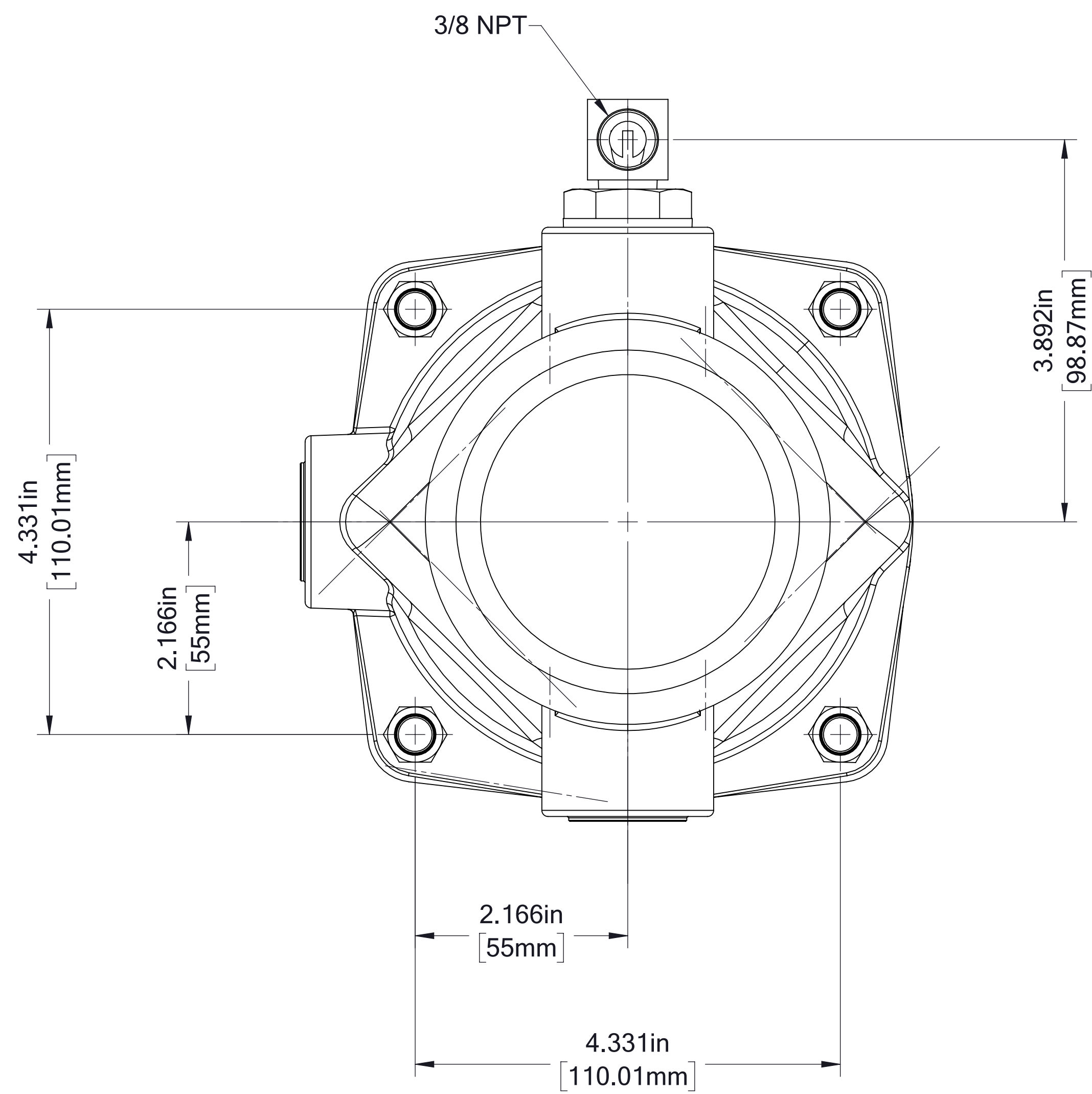
ELKHART CHECK VALVE, 2.5 IN.

VICTAULIC X VICTAULIC
 PART NUMBER: 83380-1F



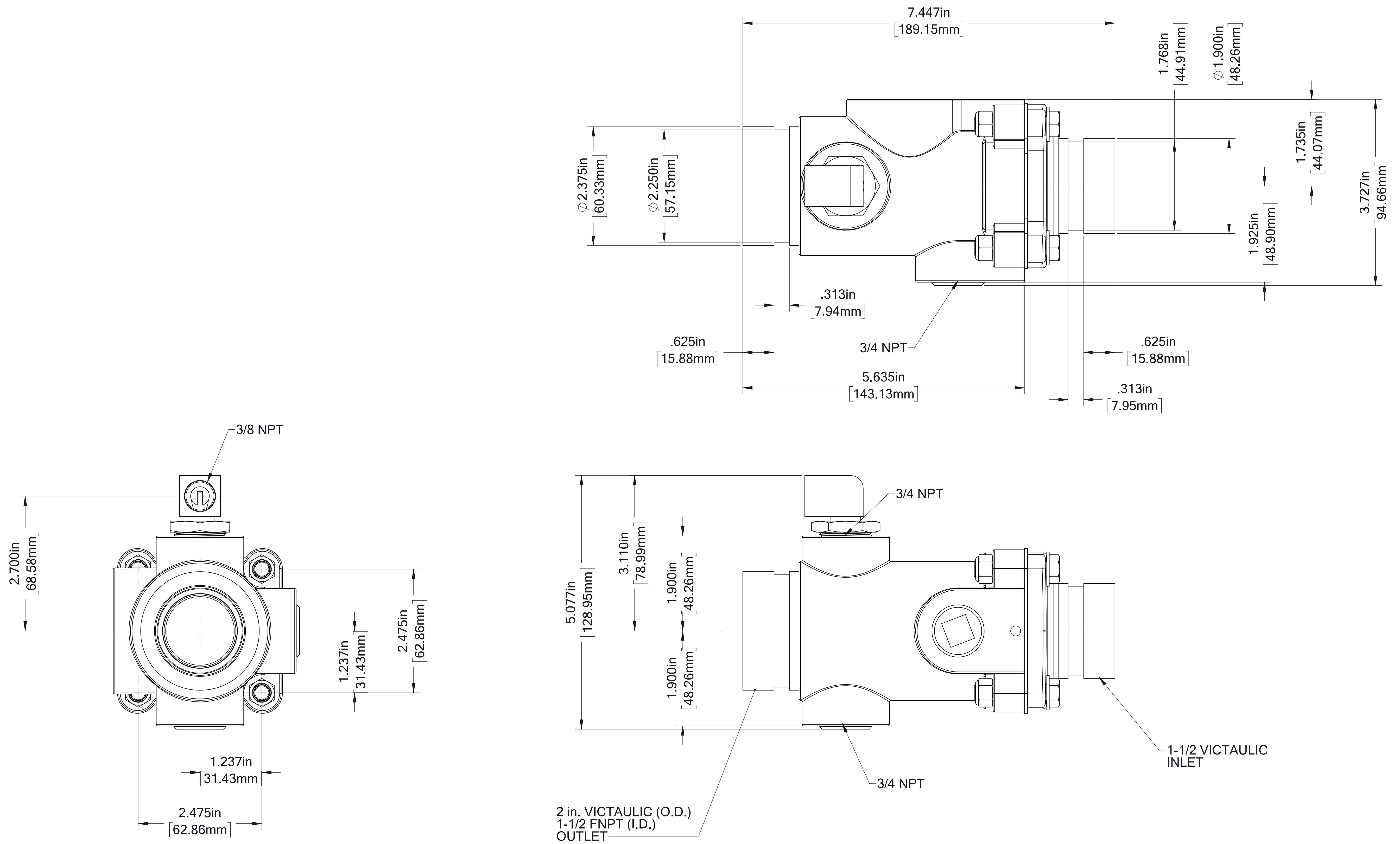
ELKHART CHECK VALVE, 3.0 IN.

ELKHART X FNPT
PART NUMBER: 83380-2G



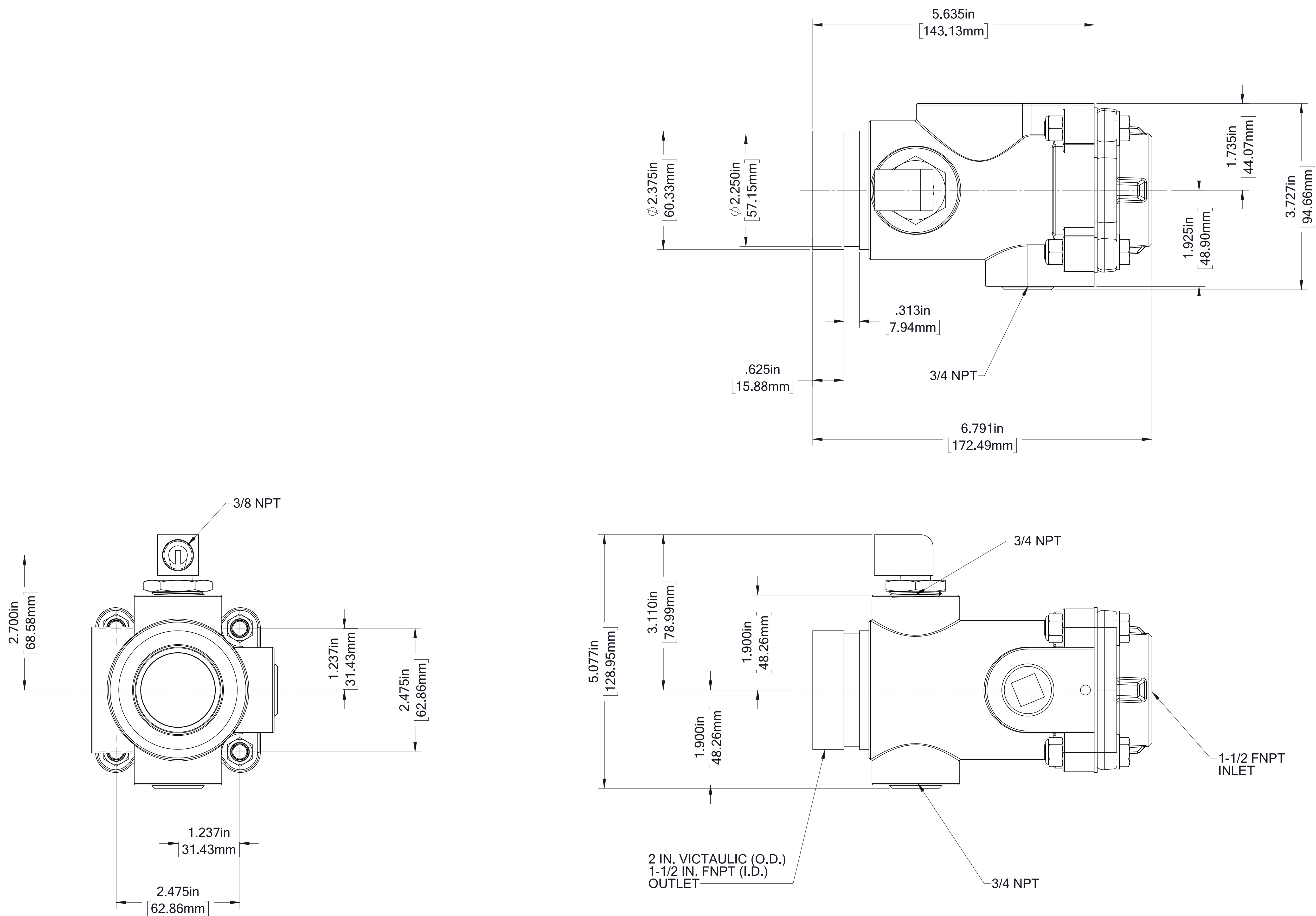
ELKHART CHECK VALVE, 3.0 IN.

VICTAULIC X VICTAULIC
PART NUMBER: 83380-2H



AKRON CHECK VALVE, 1.5 IN.

VICTAULIC/FNPT X VICTAULIC
PART NUMBER: 83380-1A



AKRON CHECK VALVE, 1.5 IN.

VICTAULIC/FNPT X FNPT
 PART NUMBER: 83380-1B