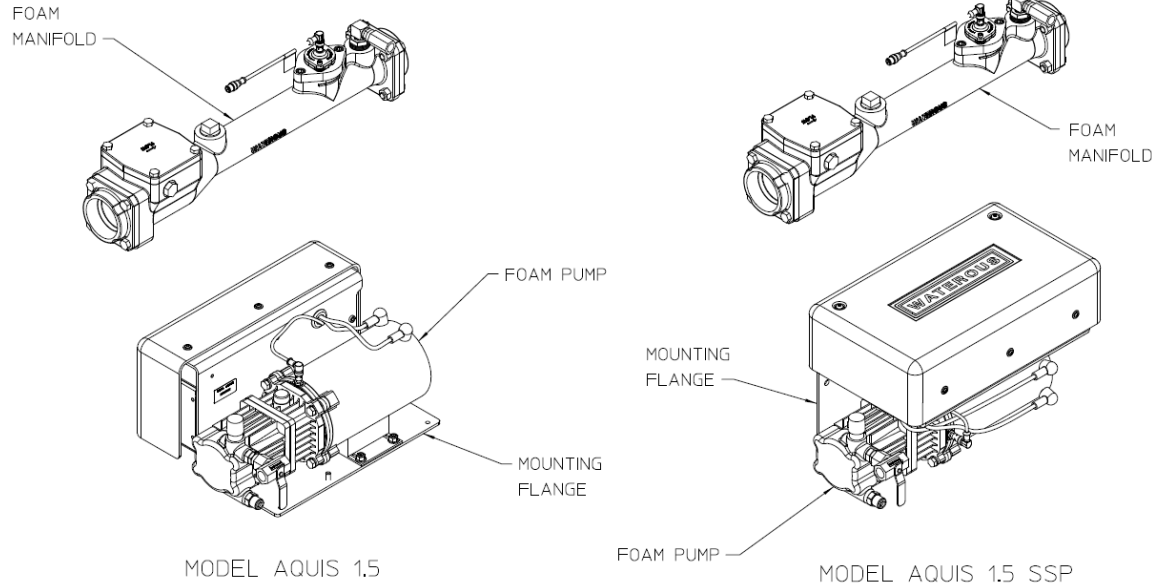


**Foam Pump Dimensional Drawings
Models Aquis 1.5 and Aquis 1.5 SSP
As used with One-Step and Eclipse GEN 2.0 CAFS**



System Schematic:..... 2

Standard Components:

- Foam Pump:
 - Aquis 1.5 3
 - Aquis 1.5 SSP 4
- Manifolds 5
- Foam Line Strainer 5

Optional Components:

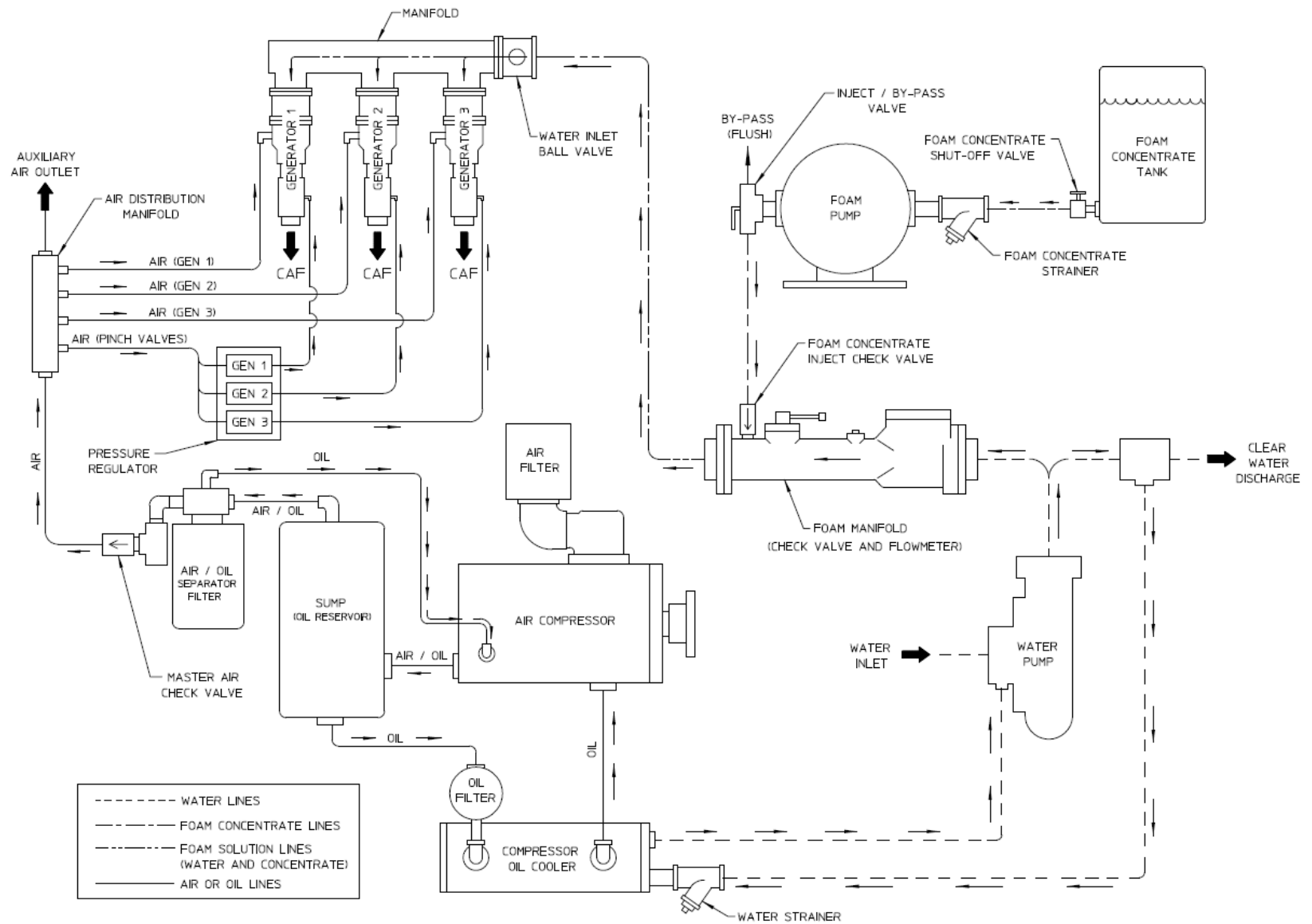
- Panel Plates 6
- Cable Extensions:
 - Flowmeter 3, 4
 - One-Step PLC Control 3, 4
 - Foam Tank Level Switch..... 6
- Panel Plates 6
- Foam Tank Level Switch 6
- Panel Mounted Foam Strainer 7
- Foam Supply Hose Kit..... 8
- Foam Inject/Bypass Hose Kit 8
- Foam Pick Up Hoses 9
- FoamFill System See DPL83460

Electrical Connections:

- Foam Tank Level Switch 6
- Foam Pump Power 9

Foam Generators and Controls:

- One-Step CAFS..... See DPL83527
- Eclipse GEN 2.0 CAFS See DPL83637



SYSTEM SCHEMATIC

NOTES:

1. AVAILABLE CABLE EXTENSIONS:

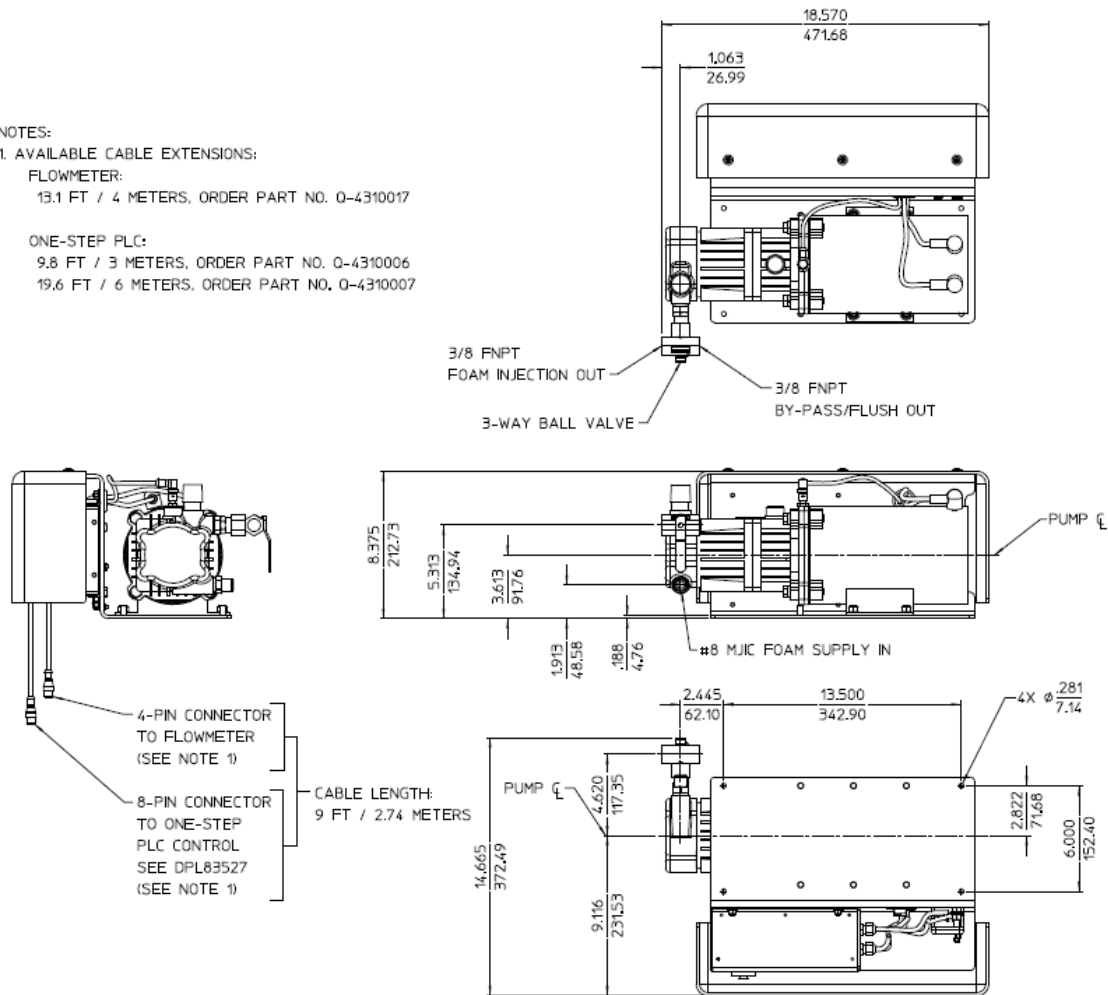
FLOWMETER:

13.1 FT / 4 METERS, ORDER PART NO. 0-4310017

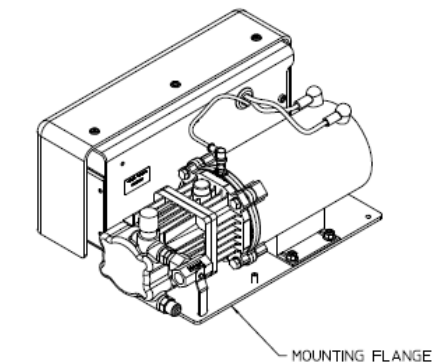
ONE-STEP PLC:

9.8 FT / 3 METERS, ORDER PART NO. 0-4310006

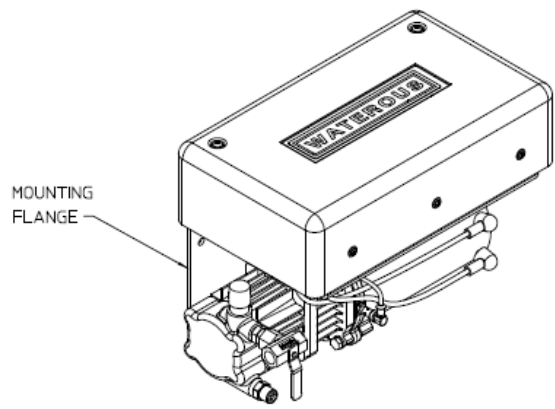
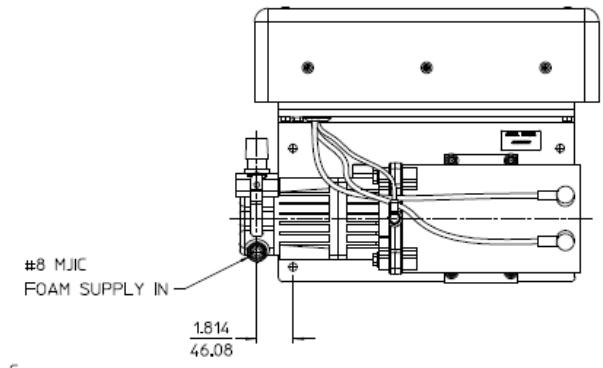
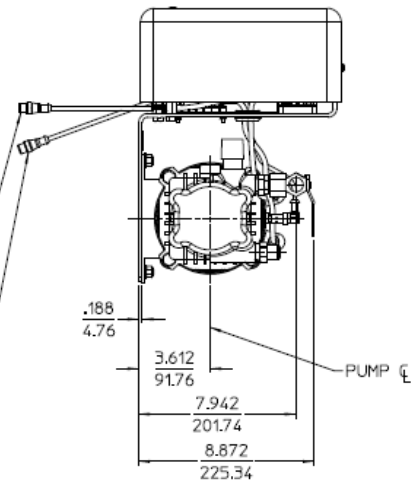
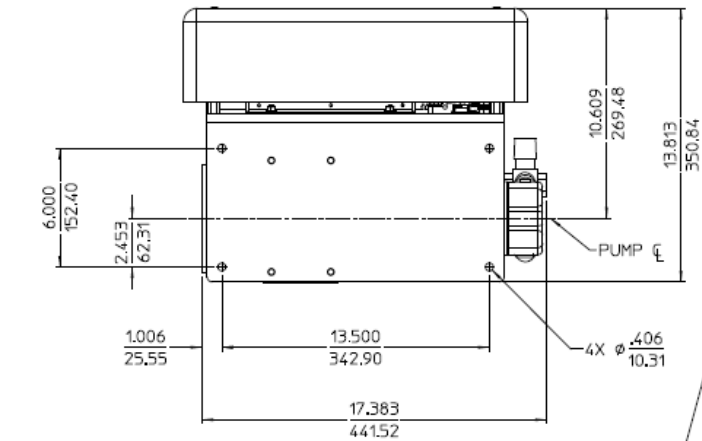
19.6 FT / 6 METERS, ORDER PART NO. 0-4310007



FOAM PUMP MODEL - AQUIS 1.5

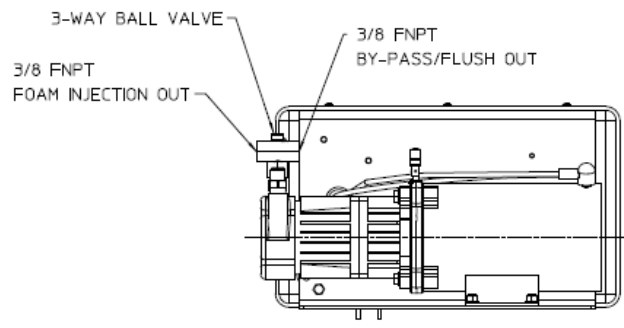


ALL DIMENSIONS SHOWN AS INCH/MILLIMETER
(INCH / MILLIMETER)



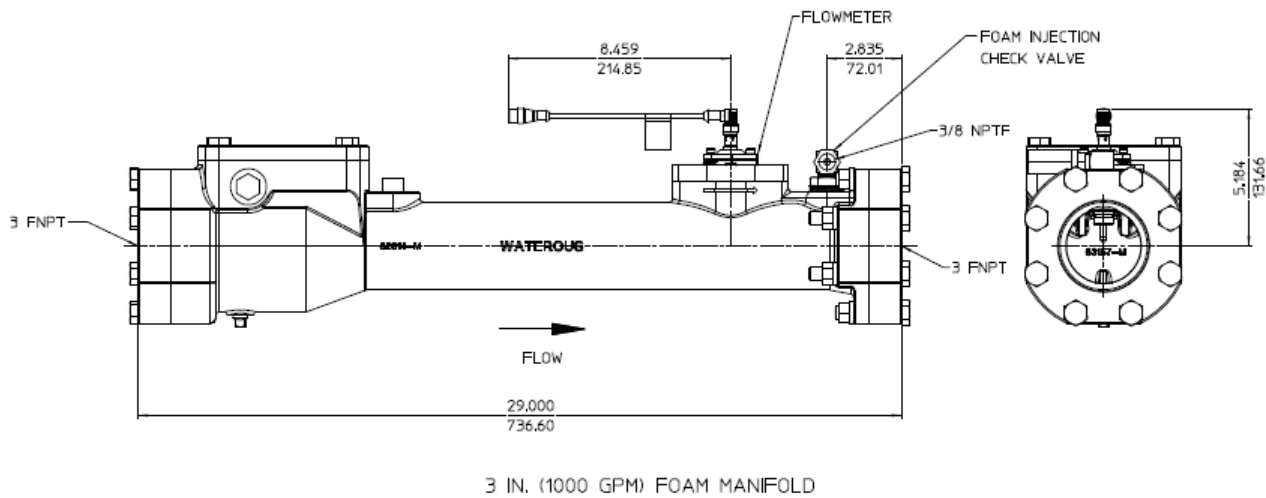
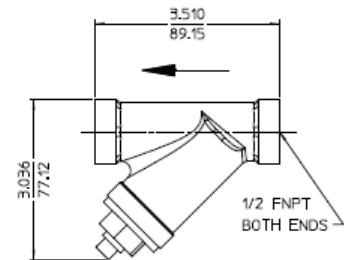
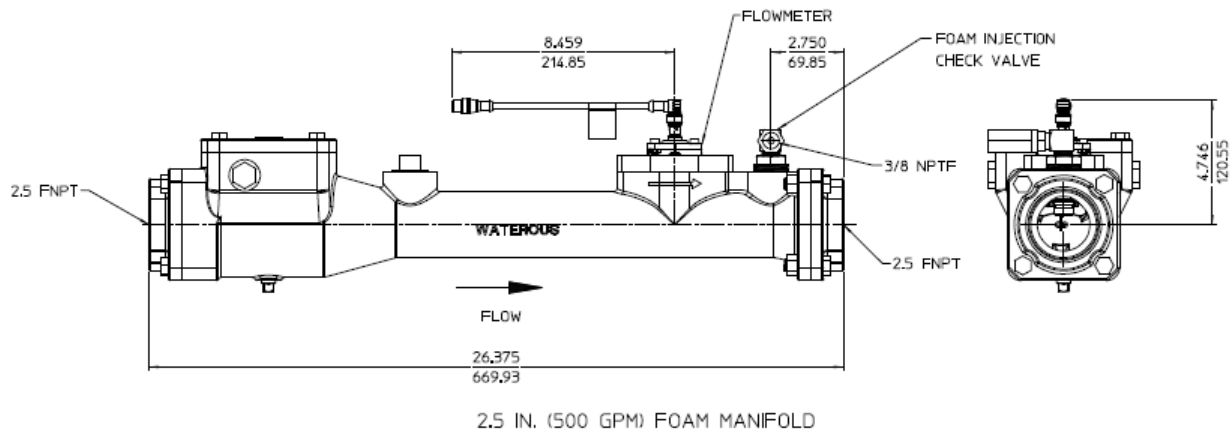
4-PIN CONNECTOR
TO FLOWMETER
(SEE NOTE 1)
8-PIN CONNECTOR
TO ONE-STEP
PLC CONTROL,
SEE DPL83527
(SEE NOTE 1)
CABLE LENGTH:
9 FT / 2.74 METERS

NOTE:
1. AVAILABLE CABLE EXTENSIONS:
FLOWMETER:
13.1 FT / 3 METERS, ORDER PART NO. Q-4310017
ONE-STEP PLC:
9.8 FT / 3 METERS, ORDER PART NO. Q-4310006
19.6 FT / 6 METERS, ORDER PART NO. Q-4310007



ALL DIMENSIONS SHOWN AS INCH/MILLIMETER
(
INCH
MILLIMETER)

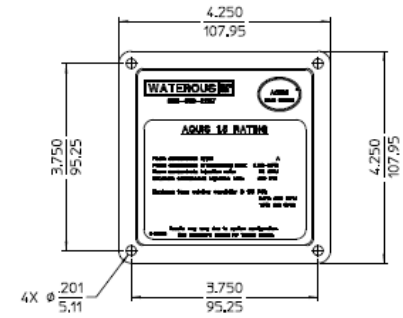
FOAM PUMP MODEL - AQUIS 1.5 SSP



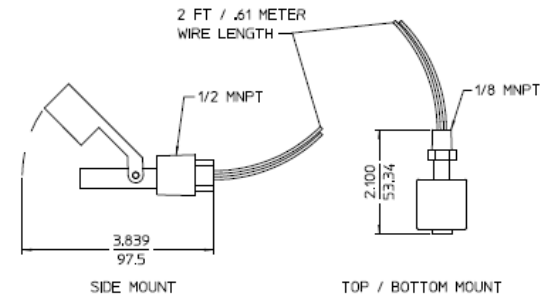
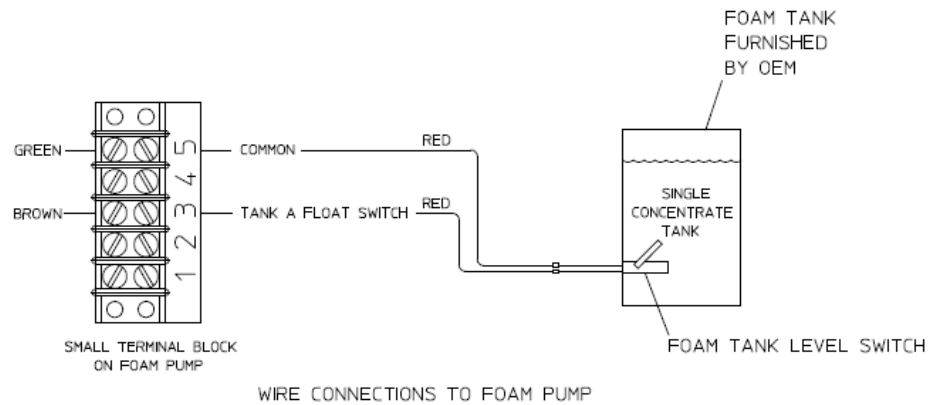
ALL DIMENSIONS SHOWN AS INCH/MILLIMETER
(INCH / MILLIMETER)

MANIFOLDS

ORDER PART NO'S:
 0-0315321 (ENGLISH)
 63752 (CHINESE)



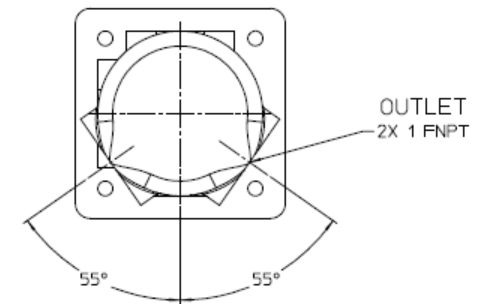
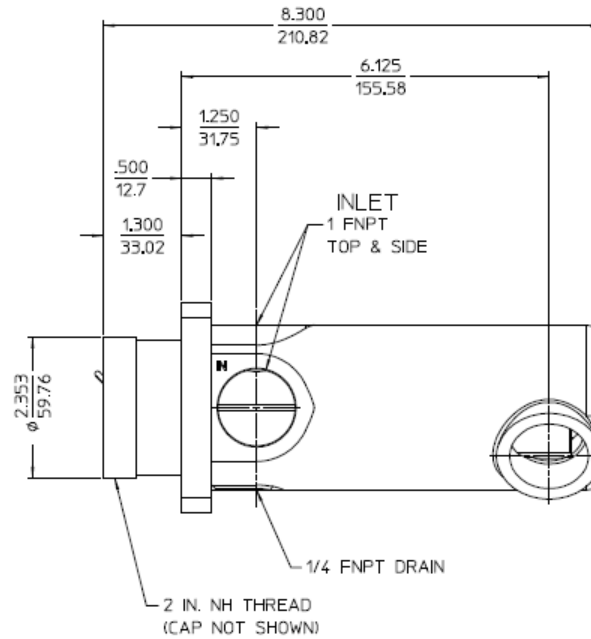
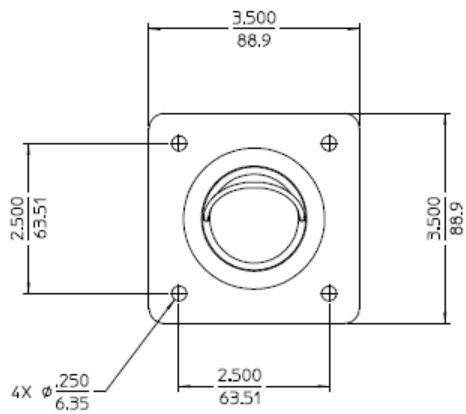
OPTIONAL RATING PANEL PLATE



OPTIONAL FOAM LEVEL TANK SWITCH

ORDER PART NO'S:
 0-4190000 (SIDE MOUNT)
 0-4190001 (TOP/BOTTOM MOUNT)

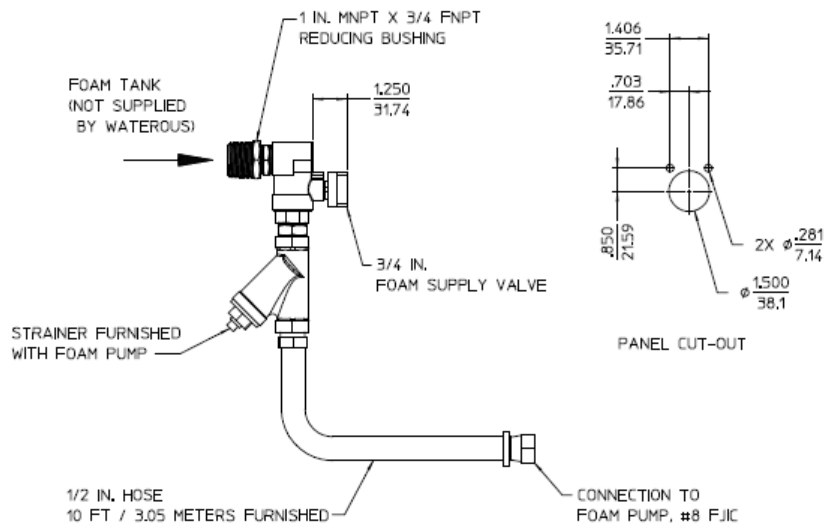
ALL DIMENSIONS SHOWN AS INCH/MILLIMETER
 (INCH)
 (MILLIMETER)



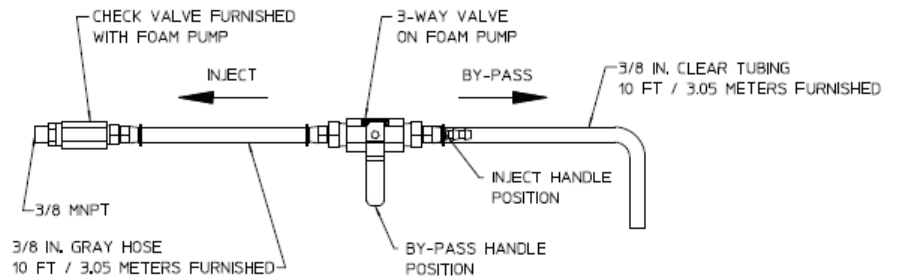
OPTIONAL PANEL MOUNTED FOAM LINE STRAINER

NO. 10 MESH, INCLUDES CAP AND CHAIN
ORDER PART NO. Q-2450011

ALL DIMENSIONS SHOWN AS INCH/MILLIMETER
($\frac{\text{INCH}}{\text{MILLIMETER}}$)



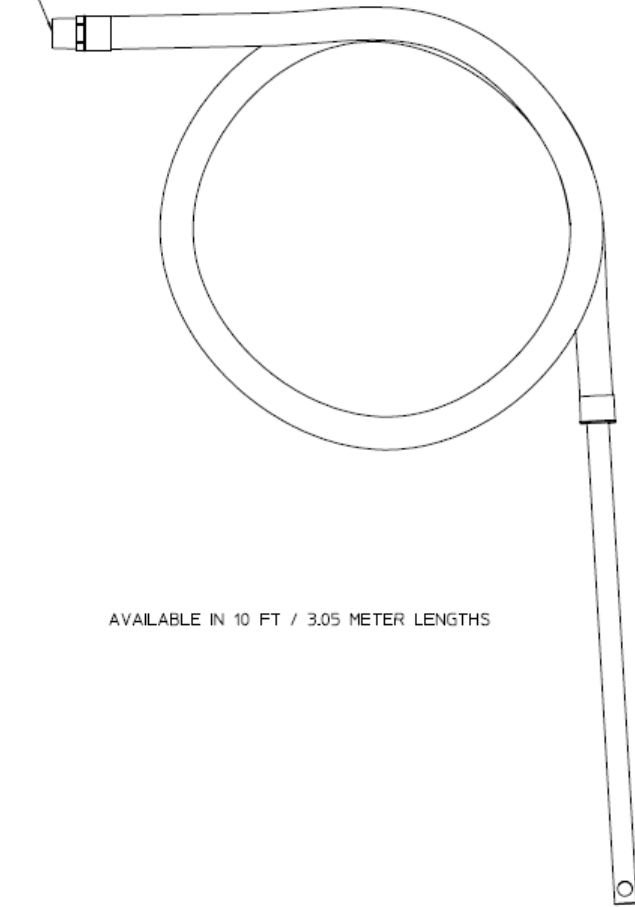
OPTIONAL FOAM SUPPLY HOSE KIT
ORDER PART NO. 83430-1A



OPTIONAL FOAM INJECTION / BY-PASS HOSE KIT
ORDER PART NO. 83430-2A

ALL DIMENSIONS SHOWN AS INCH/MILLIMETER
(INCH / MILLIMETER)

3/4 MNPT ON 3/4 HOSE
1 MNPT ON 1 HOSE

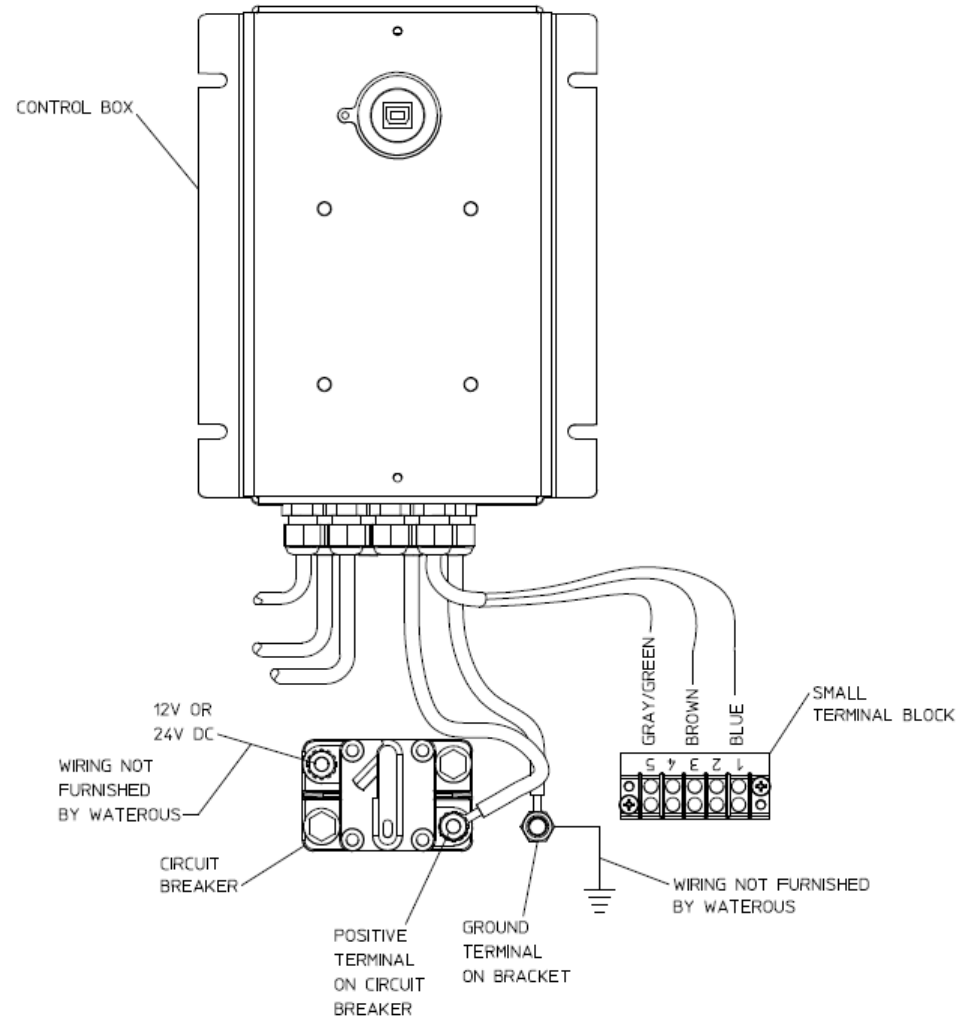


AVAILABLE IN 10 FT / 3.05 METER LENGTHS

OPTIONAL FOAM PICK UP HOSES

ORDER PART NO:
3/4 IN. HOSE - 0-0308048
1 IN. HOSE - 0-0308059

FOAM PUMP WITH COVER REMOVED



ELECTRICAL CONNECTIONS
FOAM PUMP POWER