



Document Number DPL82344	Issue Date 11/05/97	Rev. Date 12/4/15
------------------------------------	-------------------------------	-----------------------------

Bronze CS Series Fire Pump Dimensional Drawings CS/CPK Combination Pumps with PA Series Transmission

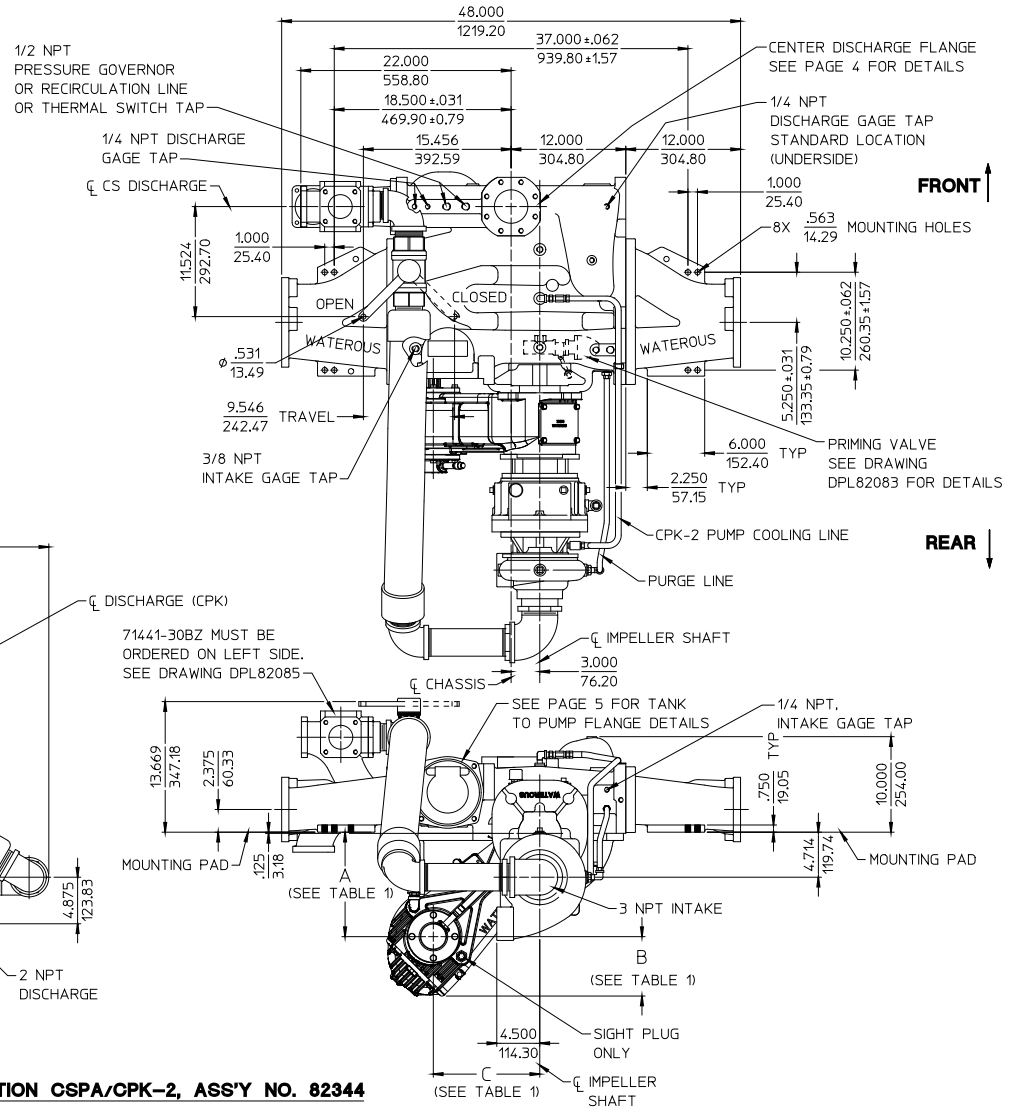
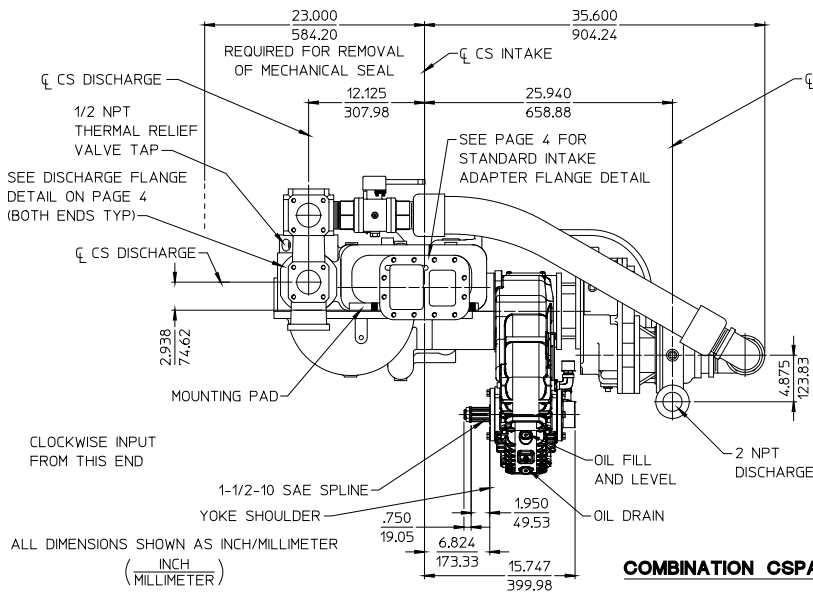
Pump and Transmission							
Pump Type	Transmission		Pump Model		Assembly Number	Input Rotation (1)	See Page
	Model	Drive	Main CS Pump	Secondary CPK Pump			
Single Stage with CPK Stage	PA Series	PTO Driven, Chain Drive	CSPA	CPK-2	82344	CW	2

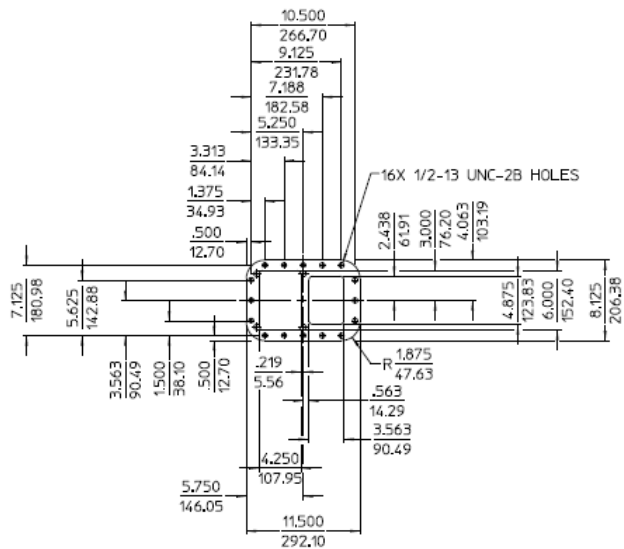
Note:

- 1. Input rotation is viewed looking directly at the transmission input shaft.

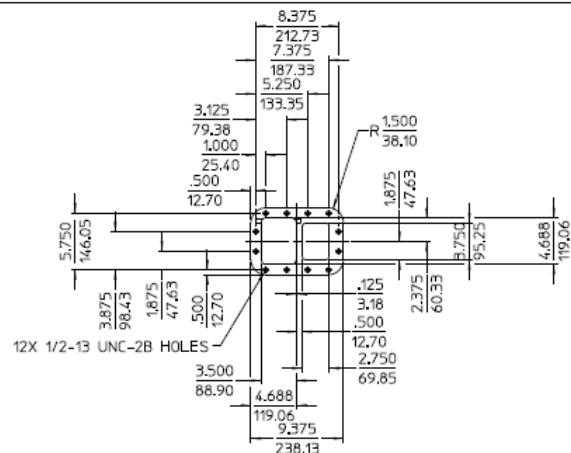
Basic Pump Dimensions		
Pump	Feature	See Page
Main CS Pump	Intake Adapter Flange	3
	Discharge Connections	4
	Tank to Pump Flange Options	4
	Secondary CPK Pump	5

TABLE 1 - AVAILABLE AS FOLLOWS						
MODEL	RATIO	DIMENSION A	DIMENSION B	DIMENSION C	DRIVELINE	
					SIZE	SPLINE
PA	1.70	11.068/281.13	6.236/158.39	11.288/286.71	1-1/2 INCH	1-1/2-10 SAE
	1.90	11.049/280.64	6.255/158.88	11.269/286.24		
	2.10	11.019/279.88	6.285/159.64	11.239/285.46		
CPK-2	1.62					
	1.97					
	2.55					
	3.40					



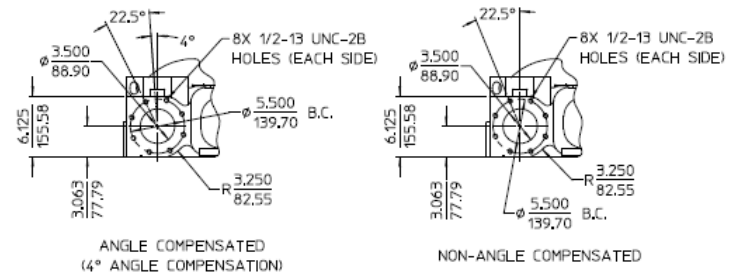


LARGE INTAKE ADAPTER FLANGE DETAIL
SPECIFY INTAKE FITTINGS FROM SECTION 2 OF DRAWING DPL81867

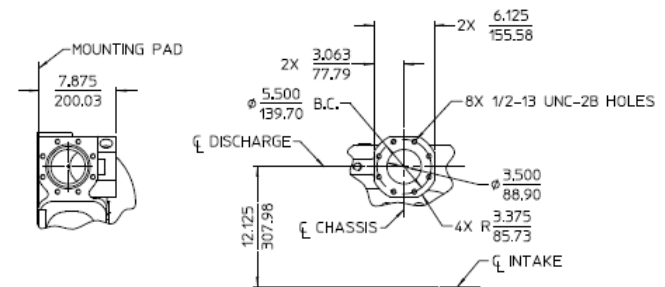


STANDARD INTAKE ADAPTER FLANGE DETAIL
SPECIFY INTAKE FITTINGS FROM SECTION 1 OF DRAWING DPL81867

INTAKE ADAPTER FLANGE



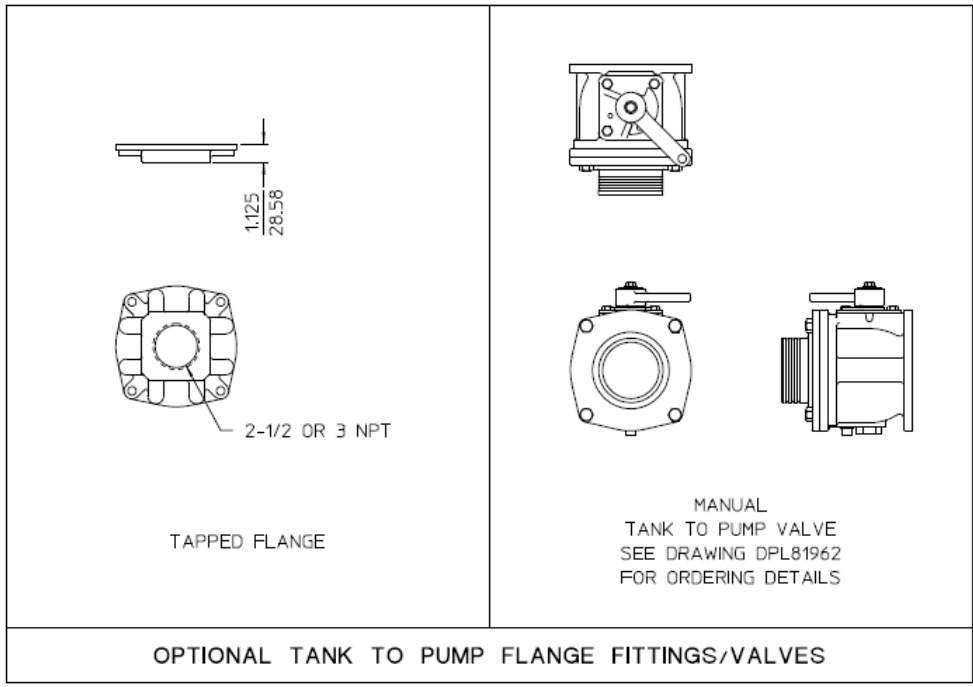
DISCHARGE FLANGE CONFIGURATIONS
SEE DRAWING DPL82085 FOR INFORMATION
ON ORDERING DISCHARGES FITTING AND VALVES



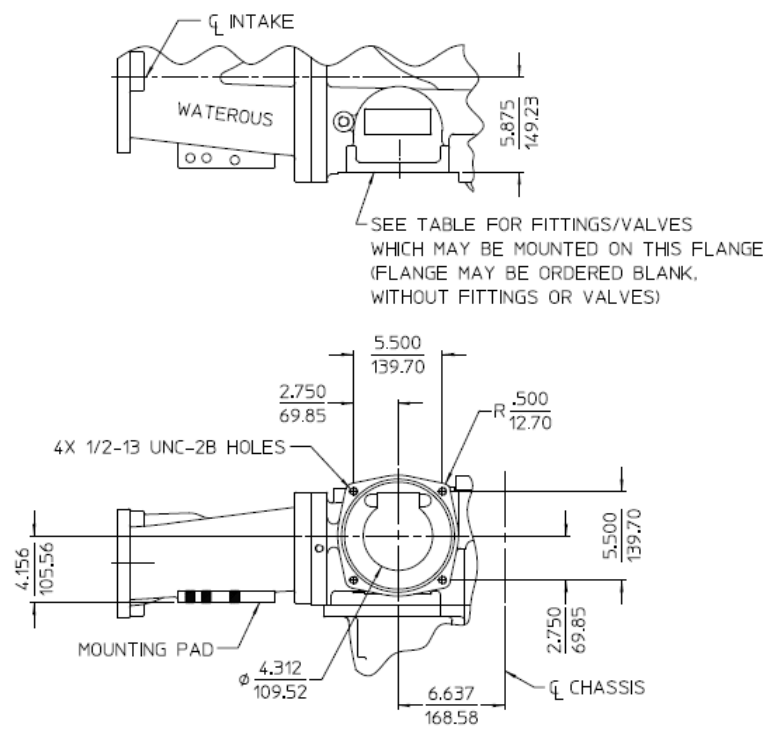
CENTER DISCHARGE FLANGE
SEE DRAWING DPL82089 FOR INFORMATION ON ORDERING DISCHARGE FITTINGS
OR SEE WATEROUS 'CENTER DISCHARGE PIPING MANUAL' FOR AVAILABLE
EXISTING ARRANGEMENTS

DISCHARGE CONNECTIONS

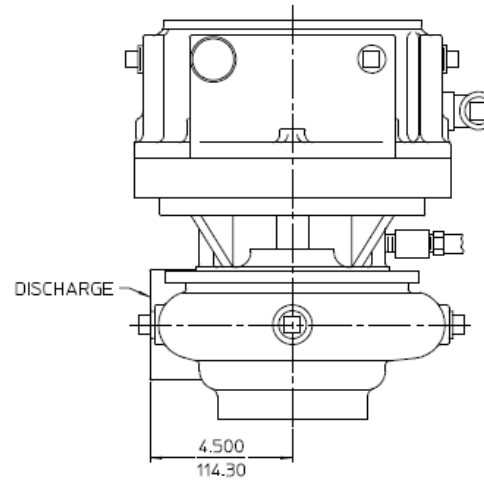
ALL DIMENSIONS SHOWN AS INCH/MILLIMETER
($\frac{\text{INCH}}{\text{MILLIMETER}}$)



ALL DIMENSIONS SHOWN AS INCH/MILLIMETER
 ($\frac{\text{INCH}}{\text{MILLIMETER}}$)

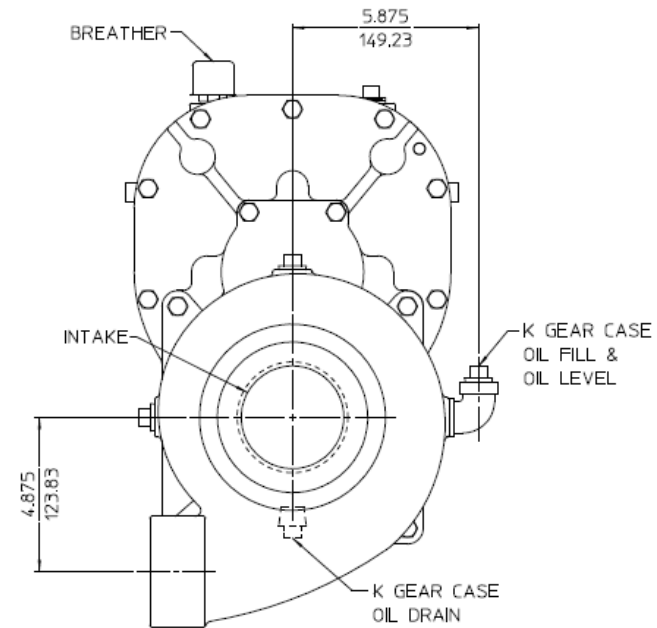


TANK TO PUMP FLANGE
 (USE O-RING W37108-4)
 (AVAILABLE WITH OR WITHOUT CHECK VALVE)



ORDERING INFORMATION

CSPA/CPK-2
 SPECIFY CSPA PUMP AND CPK-2 PUMP SEPARATELY
 CSPA PUMP - MODEL: CSPA
 RATIO: SEE TABLE 1 ON PAGE 2
 CPK PUMP - MODEL: CPK-2
 RATIO: SEE TABLE 1 ON PAGE 2



CSPA/CPK-2
 INVERTED TRANSMISSION MOUNTING
 DISCHARGE FIGURE 2

CPK-2 PUMP CONFIGURATION

ALL DIMENSIONS SHOWN AS INCH/MILLIMETER
 ($\frac{\text{INCH}}{\text{MILLIMETER}}$)