



Document Number <b>DPL82793</b>	Issue Date <b>08/19/05</b>	Rev. Date <b>10/26/15</b>
------------------------------------	-------------------------------	------------------------------

## Iron CS Fire Pump Dimensional Drawings CS/CPK Combination Pumps with PA Series Transmission

<b>Pump and Transmission</b>							
Pump Type	Transmission		Pump Model		Assembly Number	Input Rotation (1)	See Page
	Model	Drive	Main CS Pump	Secondary CPK Pump			
Single Stage with CPK Stage	<b>PA Series</b>	PTO Driven, Chain Drive	<b>CSPA</b>	<b>CPK-2</b>	<b>82793</b>	<b>CW</b>	2

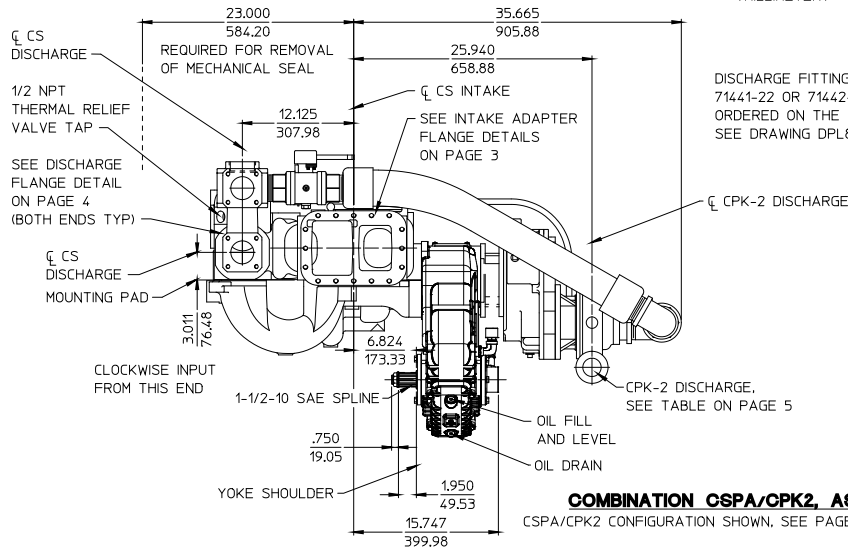
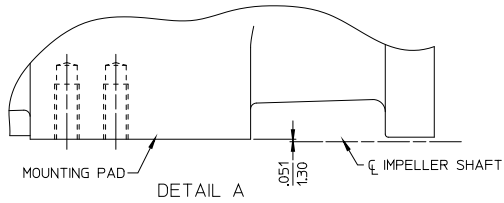
**Note:**

1. Input rotation is viewed looking directly at the transmission input shaft.

<b>Basic Pump Dimensions (Without Transmission)</b>		
Pump	Feature	See Page
Main CS Pump	Intake Adapter Flange	3
	Tank to Pump Flange Options	4
	Discharge Connections	4
Secondary CPK Pump		5

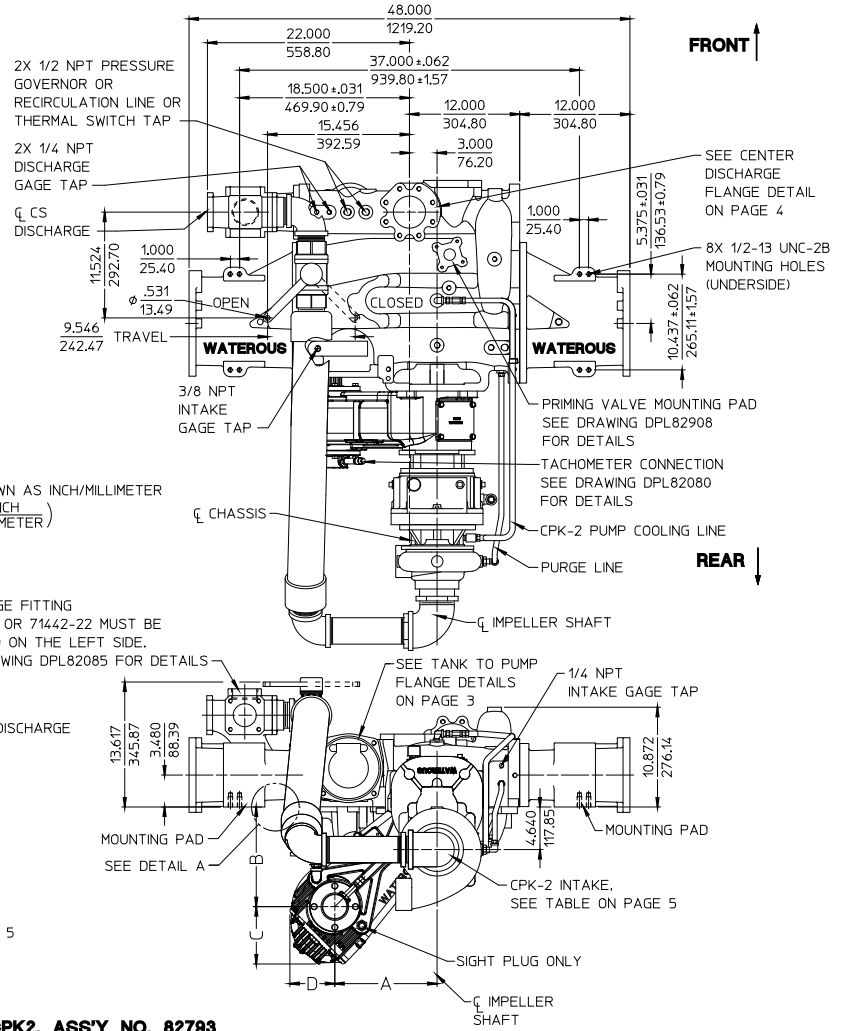
TABLE 1 - AVAILABLE AS FOLLOWS							
DRIVE LINE		MODEL CSPA					MODEL CPK-2
SIZE	SPLINE	RATIO	DIM A	DIM B	DIM C	DIM D	
1-1/2 INCH	1-1/2-10 SAE	1.71	11.364/288.65	11.071/281.20	6.028/153.14	4.671/118.63	1.62
		1.91	11.438/290.53	11.143/283.03	5.956/151.31	4.597/116.75	1.97
		2.10	11.239/285.46	10.945/278.00	6.160/156.47	4.786/121.56	2.55
							3.40

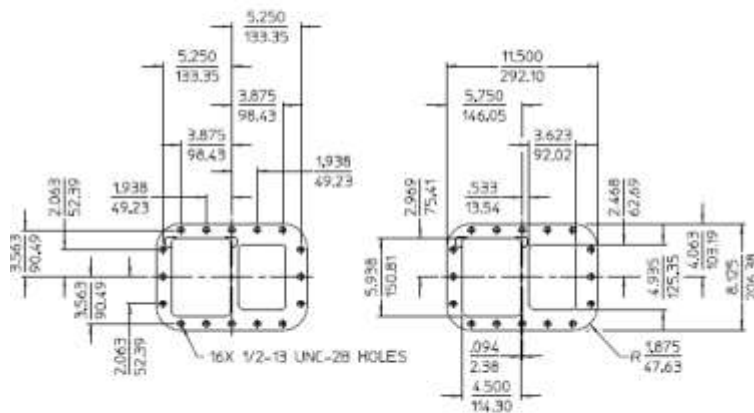
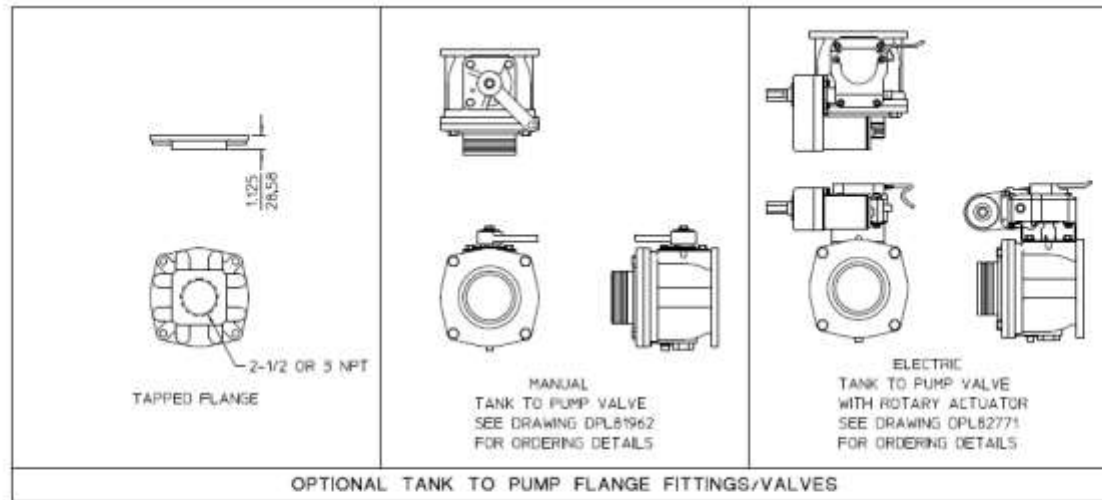
NOTE:  
1. SEE DRAWINGS DPL82084-1, DPL82084-2 AND DPL82084-5 FOR PRESSURE CONTROL SYSTEMS.



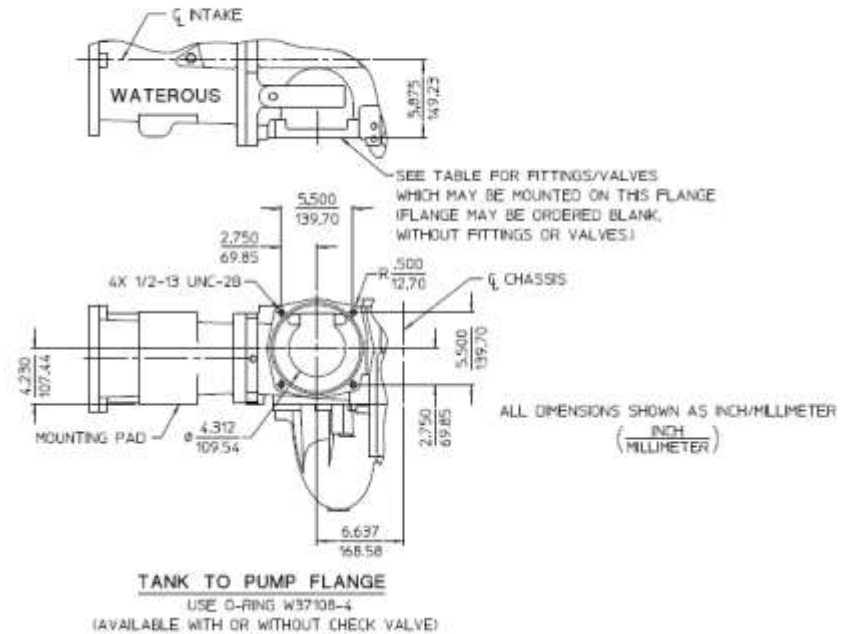
**COMBINATION CSPA/CPK2, ASS'Y NO. 82793**

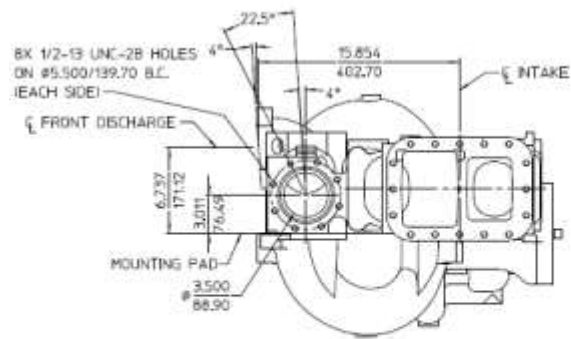
CSPA/CPK2 CONFIGURATION SHOWN. SEE PAGE 5 FOR CPK-2 DIMENSIONS



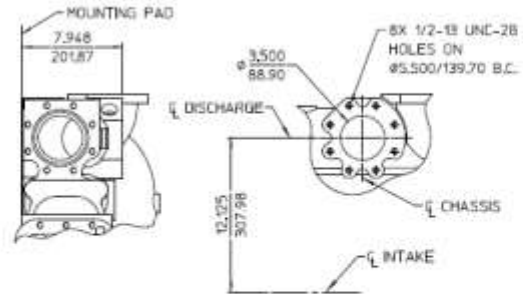


**LARGE INTAKE ADAPTER FLANGE DETAIL**  
SPECIFY INTAKE FITTINGS FROM SECTION 2 OF DRAWING DPL81867



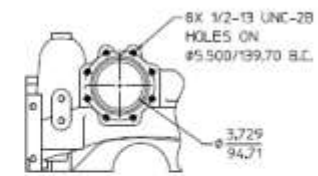


4° ANGLE COMPENSATED  
SIDE AND FRONT DISCHARGE

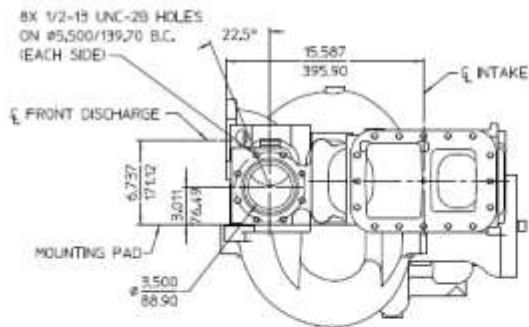


CENTER DISCHARGE FLANGE

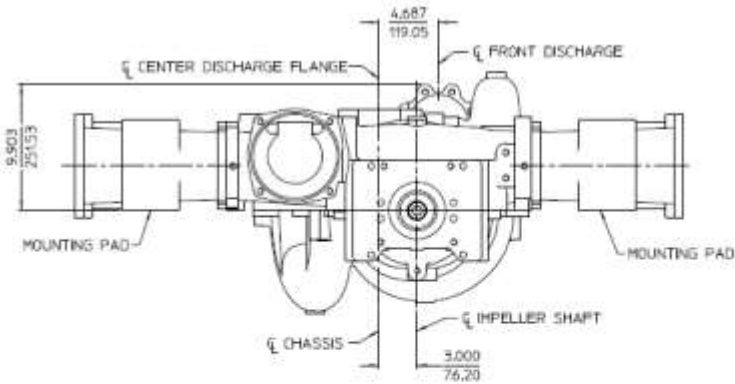
SEE DRAWING DPL82089 FOR INFORMATION ON ORDERING DISCHARGE FITTINGS  
OR SEE WATEROUS 'CENTER DISCHARGE PIPING MANUAL' FOR AVAILABLE  
EXISTING ARRANGEMENTS



FRONT DISCHARGE FLANGE  
(USE O-RING W 3770-4)  
(NON-ANGLE COMPENSATED SHOWN)



NON-ANGLE COMPENSATED  
SIDE AND FRONT DISCHARGE  
DISCHARGE FLANGE CONFIGURATIONS  
SEE DRAWING DPL82089 FOR INFORMATION  
ON ORDERING DISCHARGE FITTINGS AND VALVES



ALL DIMENSIONS SHOWN AS INCH/MILLIMETER  
(INCH  
MILLIMETER)

DISCHARGE CONNECTIONS

NOTE:  
1. DISCHARGE FITTING 71441-22 OR 71442-22 MUST BE ORDERED ON THE LEFT SIDE.

**ORDERING INFORMATION**

SPECIFY CSPA PUMP AND CPK-2 PUMP SEPARATELY

CSPA PUMP - MODEL: CSPA

RATIO: SEE TABLE 1 ON PAGE 2

CPK PUMP - MODEL: CPK-2

RATIO: SEE TABLE 1 ON PAGE 2

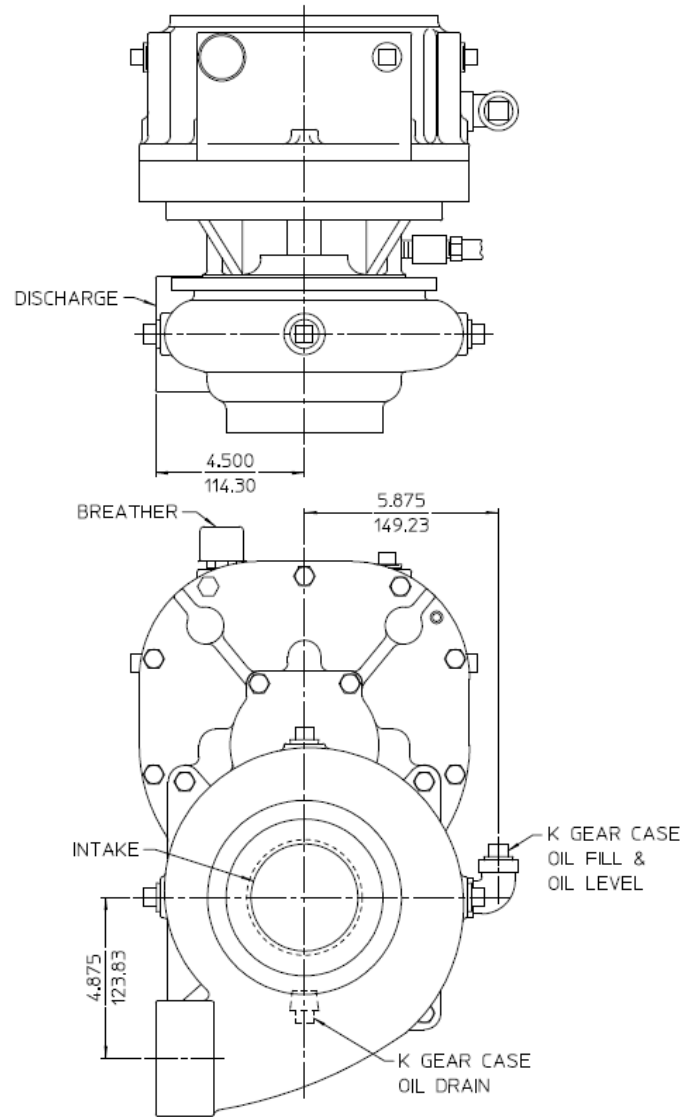
CPK-2	
INTAKE	DISCHARGE
3.00 NPT	2.00 NPT
3.00 BSP TAPERED (2)	2.00 BSP TAPERED (2)

**NOTES:**

1. CSPA AND CPK-2 PUMPS AVAILABLE IN IRON ONLY.

2. BSP (BRITISH PIPE) THREADS ARE PER BS21

FOR FITTINGS WHERE PRESSURE-TIGHT  
JOINTS ARE MADE ON THE THREADS.



ALL DIMENSIONS SHOWN AS INCH/MILLIMETER  
( INCH / MILLIMETER )

**CPK-2 PUMP CONFIGURATION**

INVERTED TRANSMISSION MOUNTING  
DISCHARGE FIG. 2