



Document Number	Issue Date	Rev. Date
<b>SPL83422</b>	<b>04/22/14</b>	<b>6/17/15</b>

## CP-5 Series Pump Impeller Shaft Service Parts List

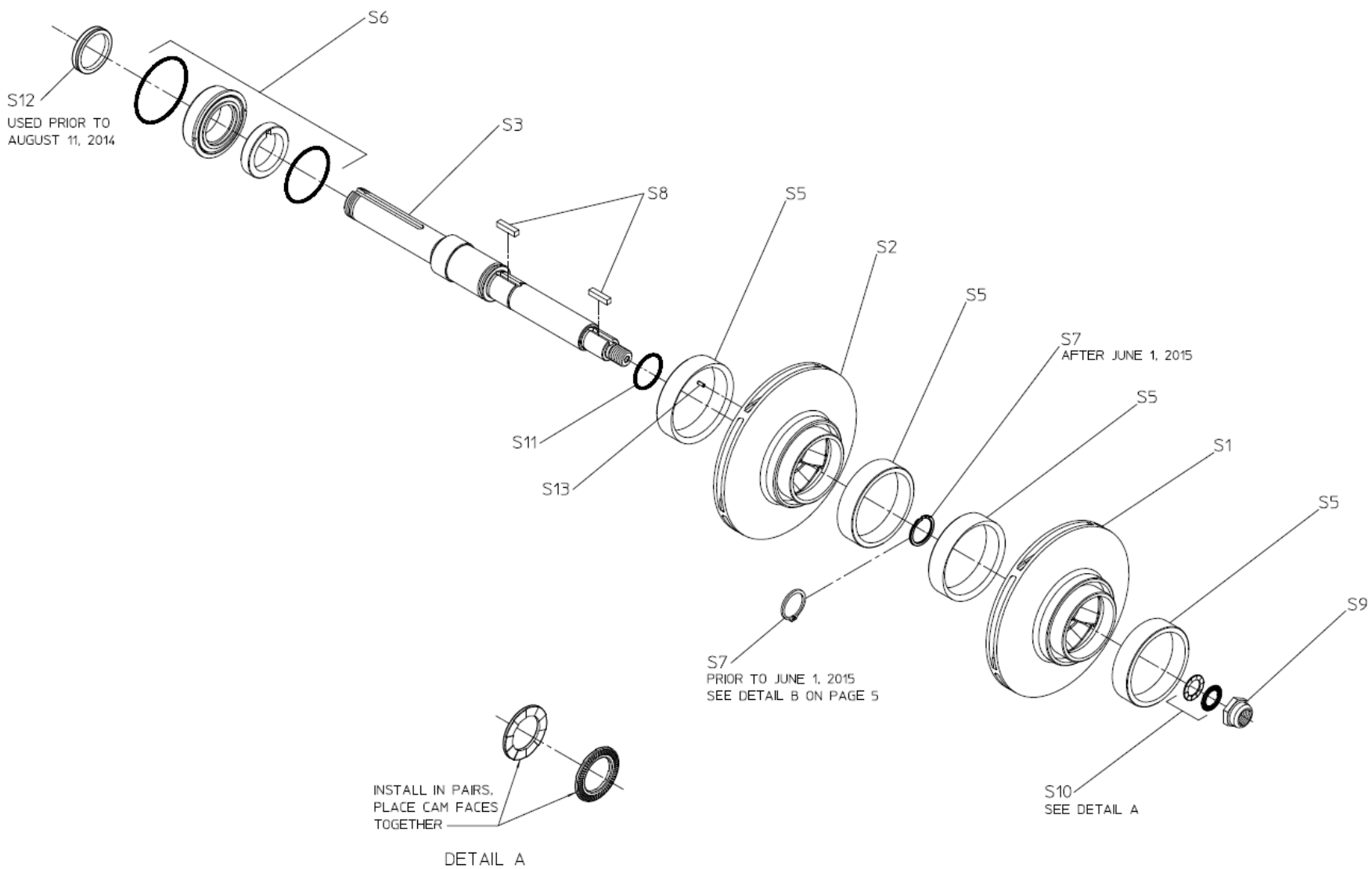
Index:

<b>View</b>	<b>See Page</b>
Exploded View	2, 3
Cross Section View	4, 5

## Exploded View

REF. NO.	DESCRIPTION
S1	Impeller, 1 <sup>st</sup> Stage
S2	Impeller, 2 <sup>nd</sup> Stage
S3	Impeller Shaft
S5	Wear Ring (Available in Standard or .025, .050 and .075 Undersize)
S6	Mechanical Seal Kit (Includes S7, S9, S10, S11 Components. Also Includes B6 and B7 from Body Assembly)

REF. NO.	DESCRIPTION
S7	Retaining Ring
S8	Key
S9	Lock Nut, $\frac{3}{4}$ in.
S10	Nord-Lock Washer, $\frac{3}{4}$ in.
S11	O-ring, 1-1/2 x 1-3/4 in.
S12	Flinger Ring (Used prior to August 11, 2014)
S13	Spirol Pin, $\frac{1}{8}$ x $\frac{3}{8}$ in.

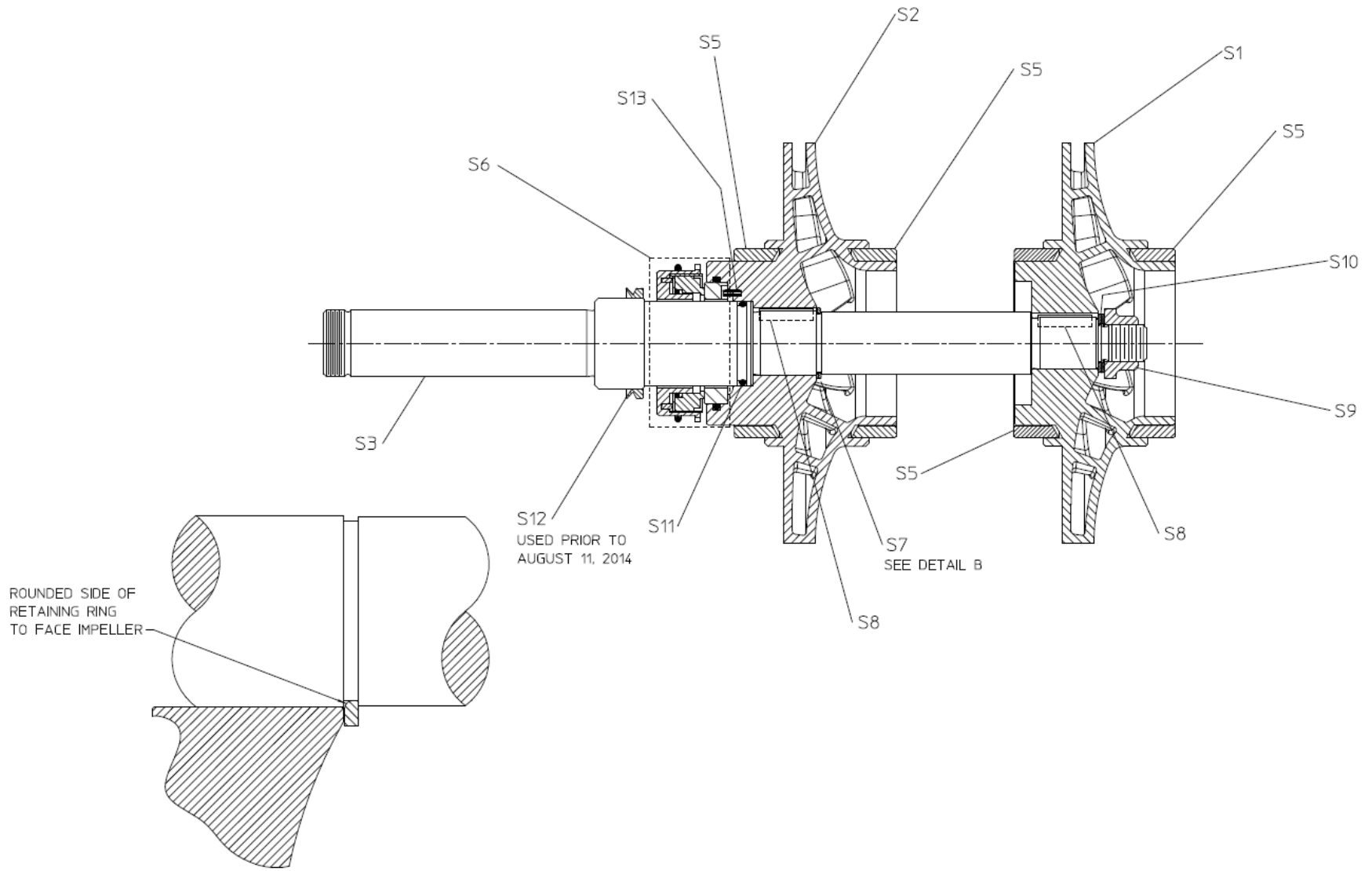


**IMPELLER SHAFT ASSEMBLY**  
CW INPUT ROTATION

## Exploded View

REF. NO.	DESCRIPTION
S1	Impeller, 1 <sup>st</sup> Stage
S2	Impeller, 2 <sup>nd</sup> Stage
S3	Impeller Shaft
S5	Wear Ring (Available in Standard or .025, .050 and .075 Undersize)
S6	Mechanical Seal Kit (Includes S7, S9, S10, S11 Components. Also Includes B6 and B7 from Body Assembly)

REF. NO.	DESCRIPTION
S7	Retaining Ring
S8	Key
S9	Lock Nut, 3/4 in.
S10	Nord-Lock Washer, 3/4 in.
S11	O-ring, 1-1/2 x 1-3/4 in.
S12	Flinger Ring (Used prior to August 11, 2014)
S13	Spirol Pin, 1/8 x 3/8 in.



DETAIL B  
 PRIOR TO JUNE 1, 2015

IMPELLER SHAFT ASSEMBLY  
 CW INPUT ROTATION