

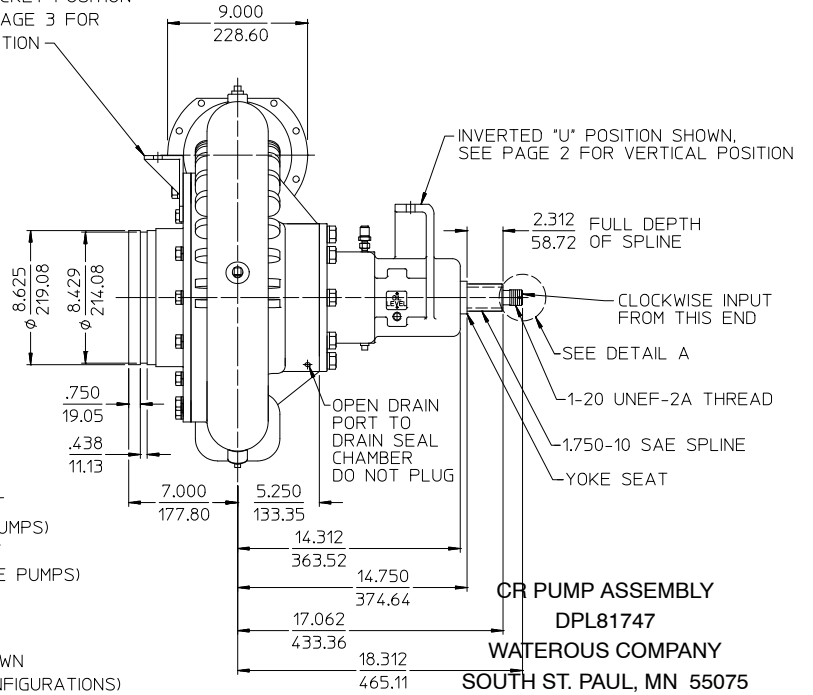
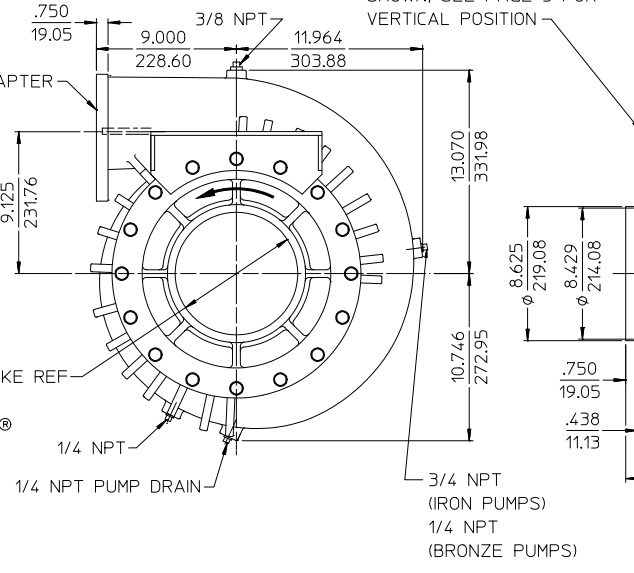
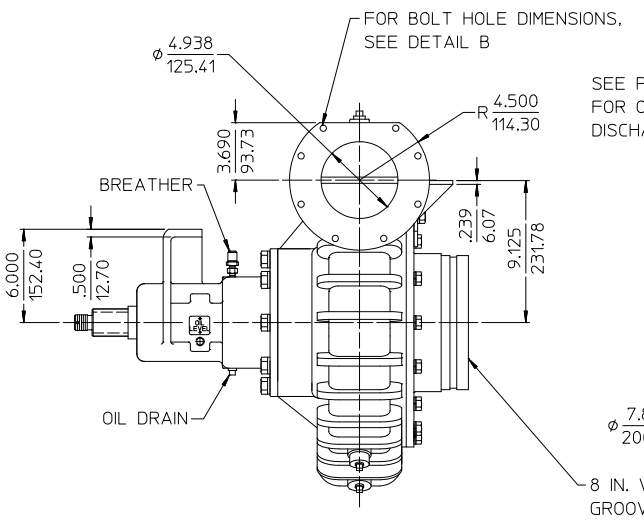
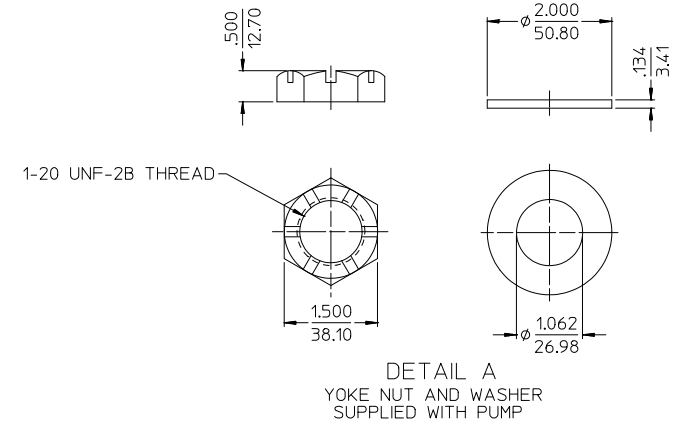
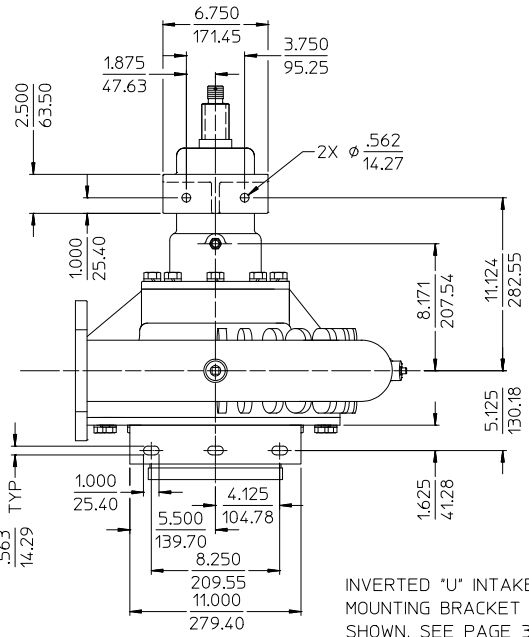
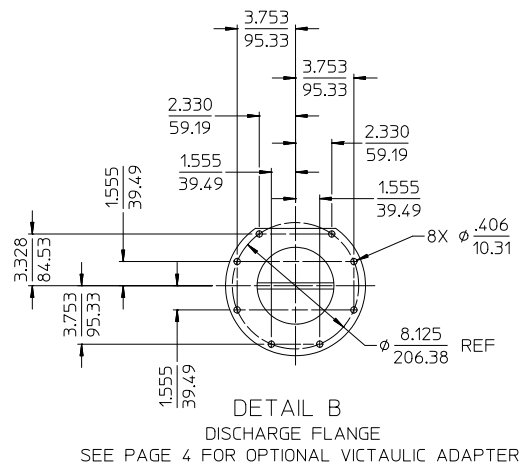


Document Number	Issue Date	Rev. Date
DPL 81747	01/04/96	11/14/13

Dimensional Drawings for CR Series Direct Drive Fire Pumps

Index:

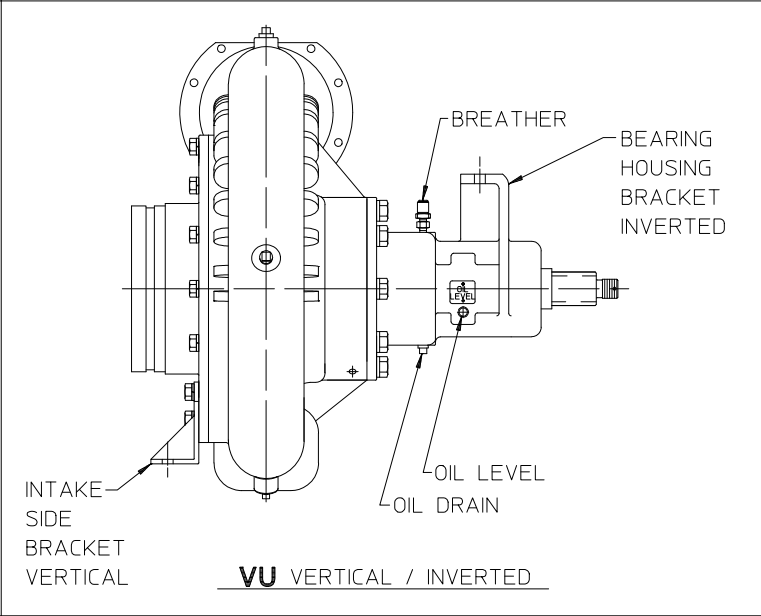
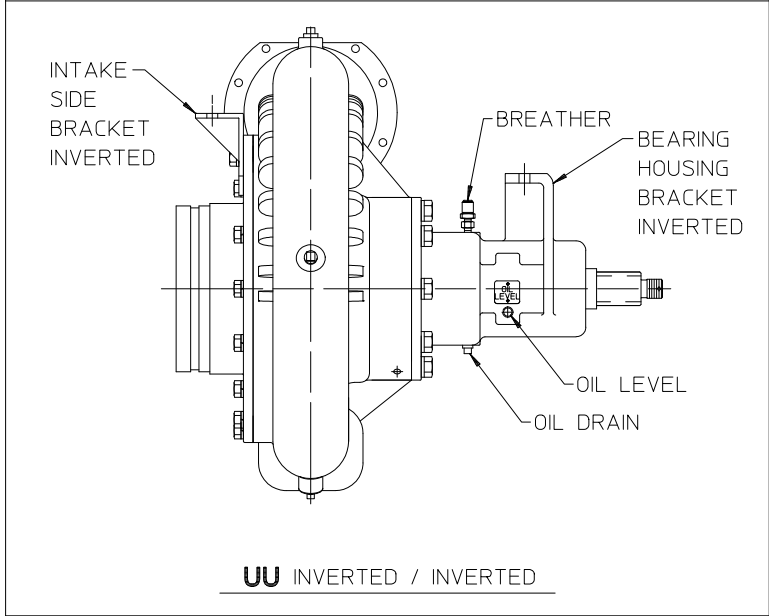
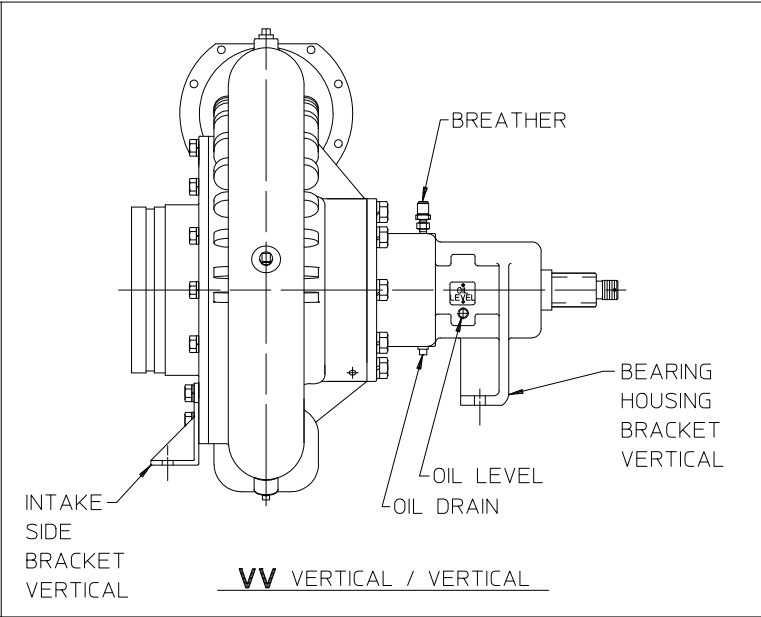
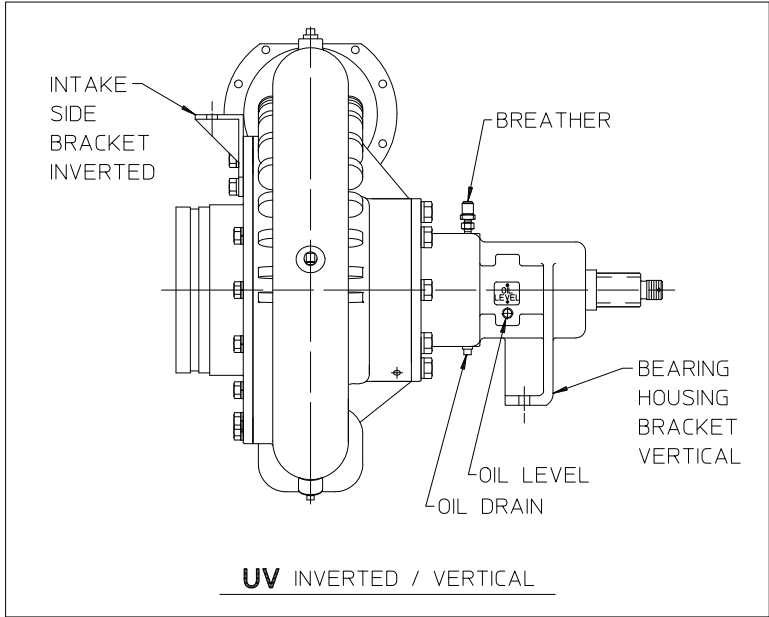
Description	See Page
Basic Pump Dimensions	2
Available Mounting Bracket Positions	3
Available Discharge Positions and Optional Discharge Adapter	4
Ordering Information	5



ALL DIMENSIONS SHOWN IN INCH/MILLIMETER
(INCH / MILLIMETER)

BASIC PUMP DIMENSIONS
LEFT FIGURE NUMBER 2 MOUNTING SHOWN
(SEE PAGES 3 AND 4 FOR OPTIONAL MOUNTING CONFIGURATIONS)

OR PUMP ASSEMBLY
DPL81747
WATEROUS COMPANY
SOUTH ST. PAUL, MN 55075
PAGE 2 OF 5



AVAILABLE MOUNTING BRACKET POSITIONS

NOTE: FIRST LETTER IDENTIFIES INTAKE SIDE BRACKET MOUNTING
 SECOND LETTER IDENTIFIES BEARING HOUSING BRACKET MOUNTING

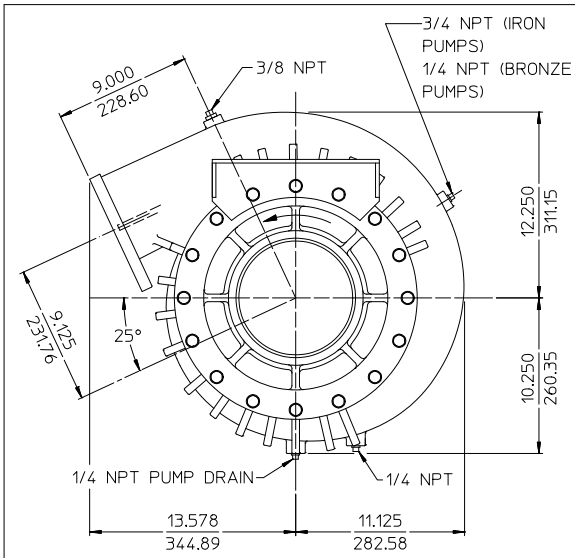


FIGURE 1

LEFT (25° BELOW HORIZONTAL)
(FORMERLY LABELED 25° BELOW HORIZONTAL)

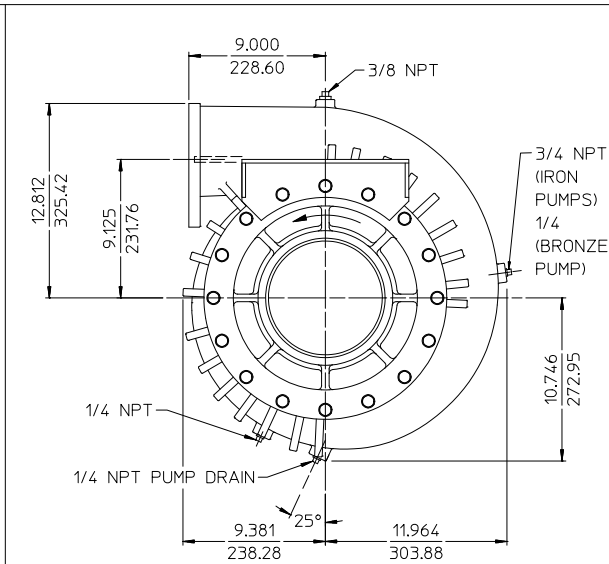


FIGURE 2

LEFT
(FORMERLY LABELED HORIZONTAL)

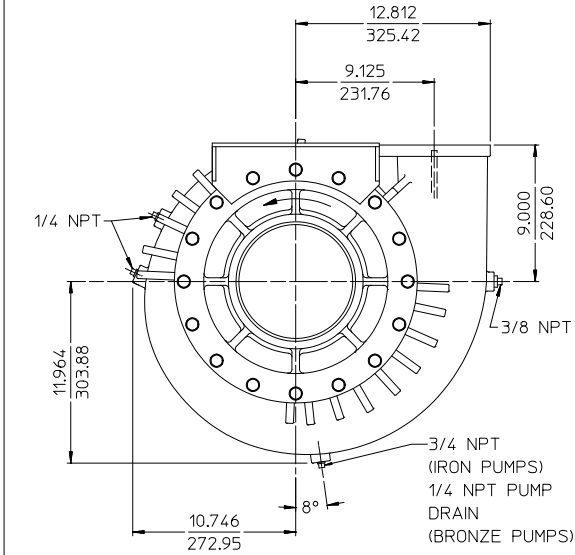


FIGURE 3

UP
(FORMERLY LABELED VERTICAL)

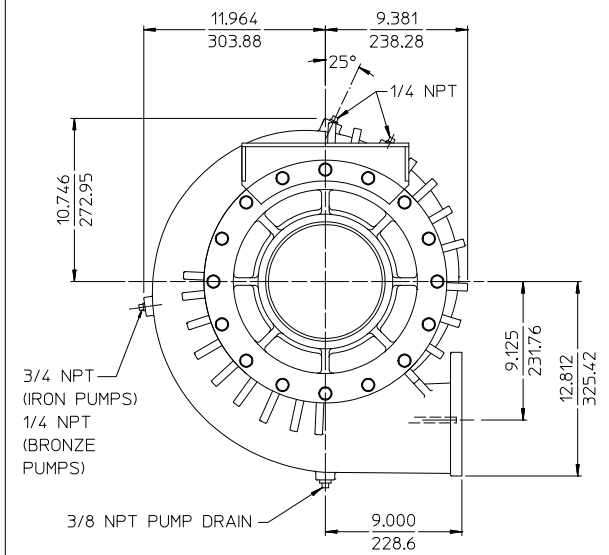
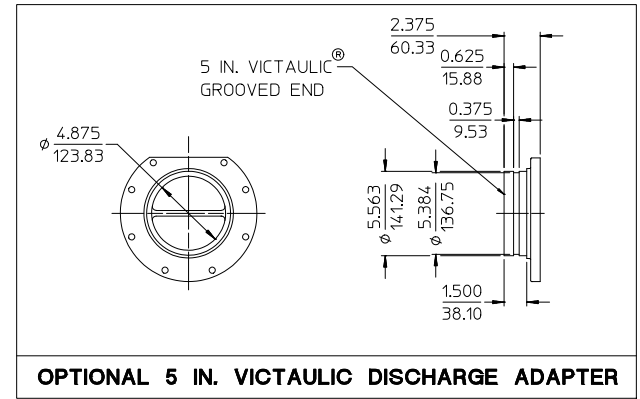


FIGURE 4

RIGHT



OPTIONAL 5 IN. VICTAULIC DISCHARGE ADAPTER

ALL DIMENSIONS SHOWN IN INCH/MILLIMETER

($\frac{\text{INCH}}{\text{MILLIMETER}}$)

CR PUMP ASSEMBLY
DPL81747
WATEROUS COMPANY
SOUTH ST. PAUL, MN 55075

AVAILABLE DISCHARGE POSITIONS VIEWED FROM INTAKE SIDE (NOTE: CLOCKWISE INPUT ONLY AVAILABLE)

ORDERING INFORMATION

WHEN ORDERING, SUPPLY THE FOLLOWING INFORMATION:

1. BASIC ASSEMBLY NUMBER: 81747.
2. SUFFIXES WHICH INDICATE MOUNTING BRACKET POSITIONS AND DISCHARGE POSITION:

