

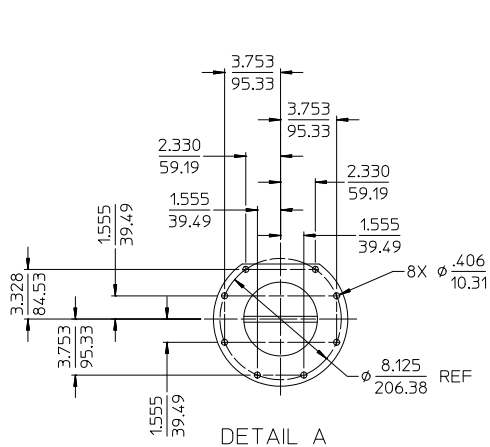


Document Number	Issue Date	Rev. Date
<b>DPL 82332</b>	<b>12/02/97</b>	<b>11/14/13</b>

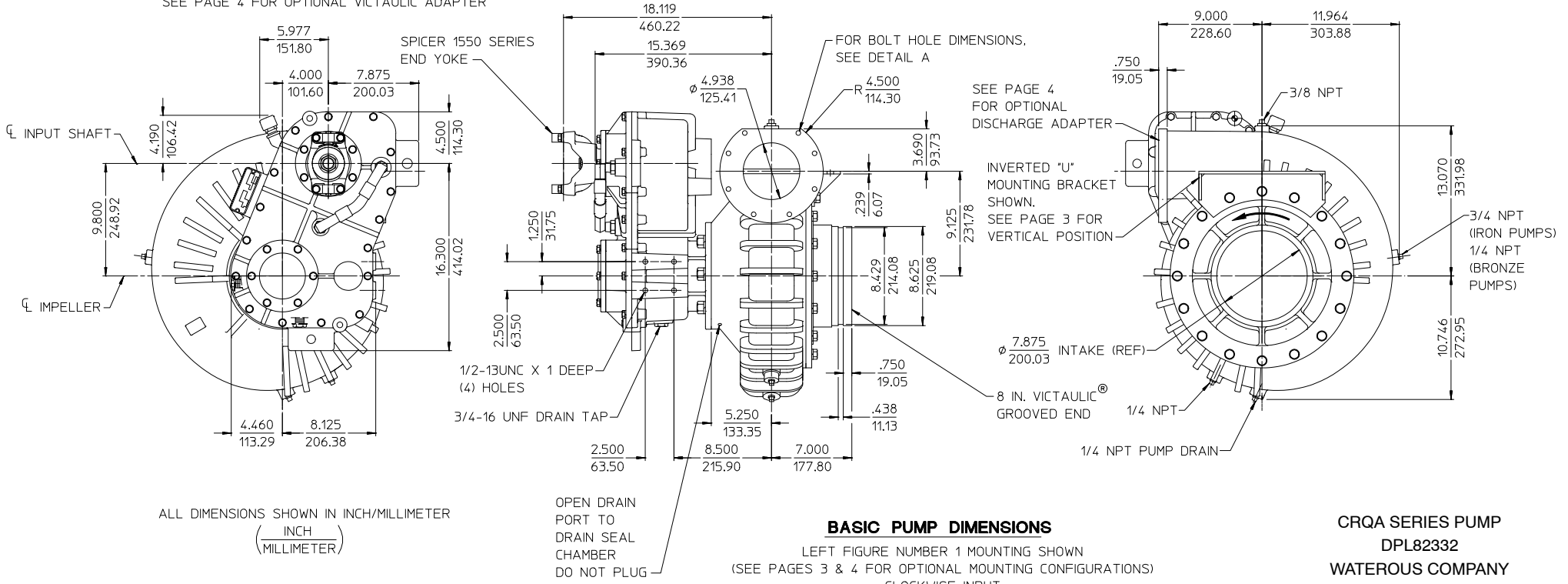
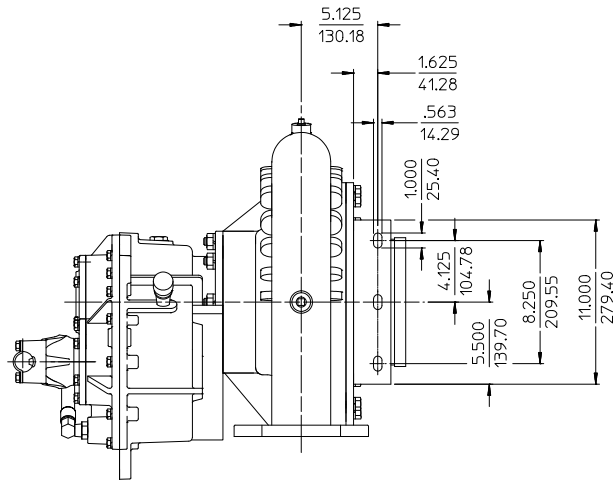
## Dimensional Drawings for CRQA Series Fire Pump

Index:

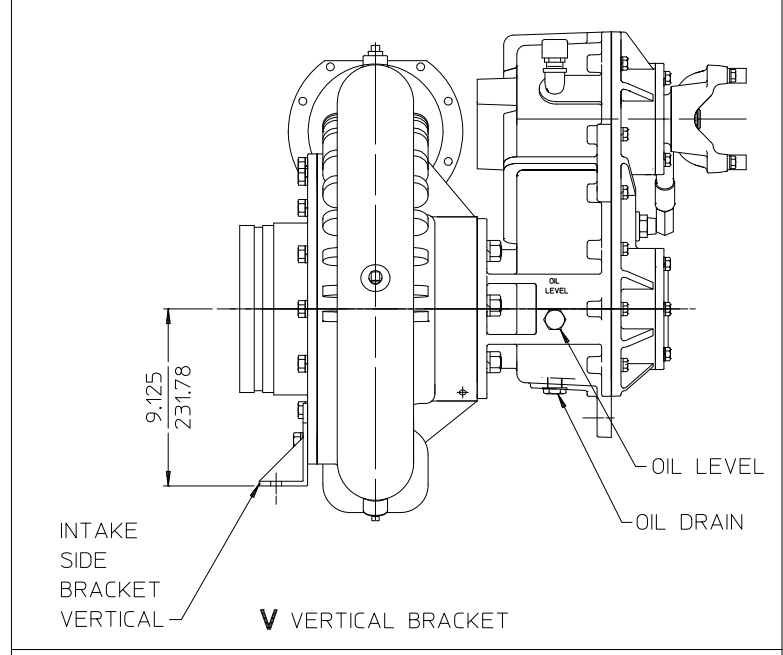
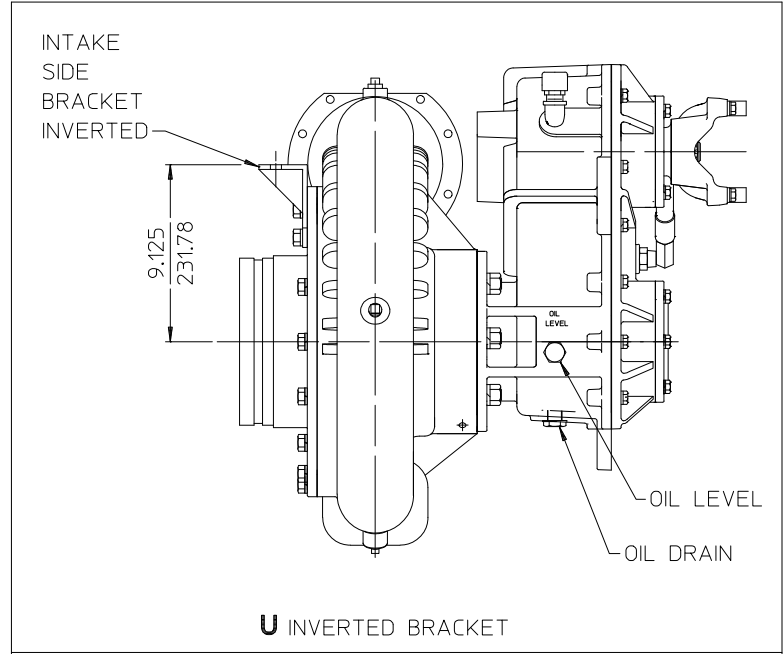
<b>Description</b>	<b>See Page</b>
Basic Pump Dimensions	2
Available Mounting Bracket Positions	3
Available Discharge Positions and Ordering Information	4



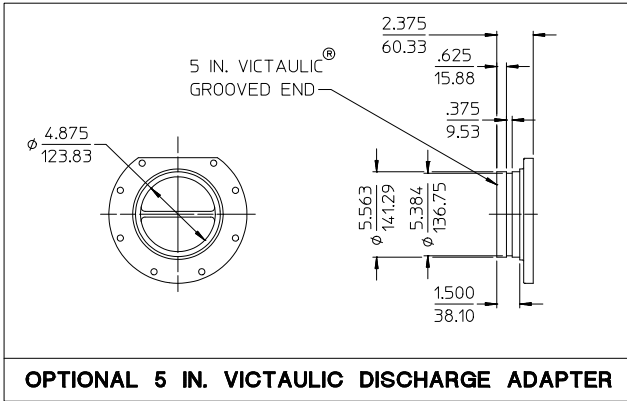
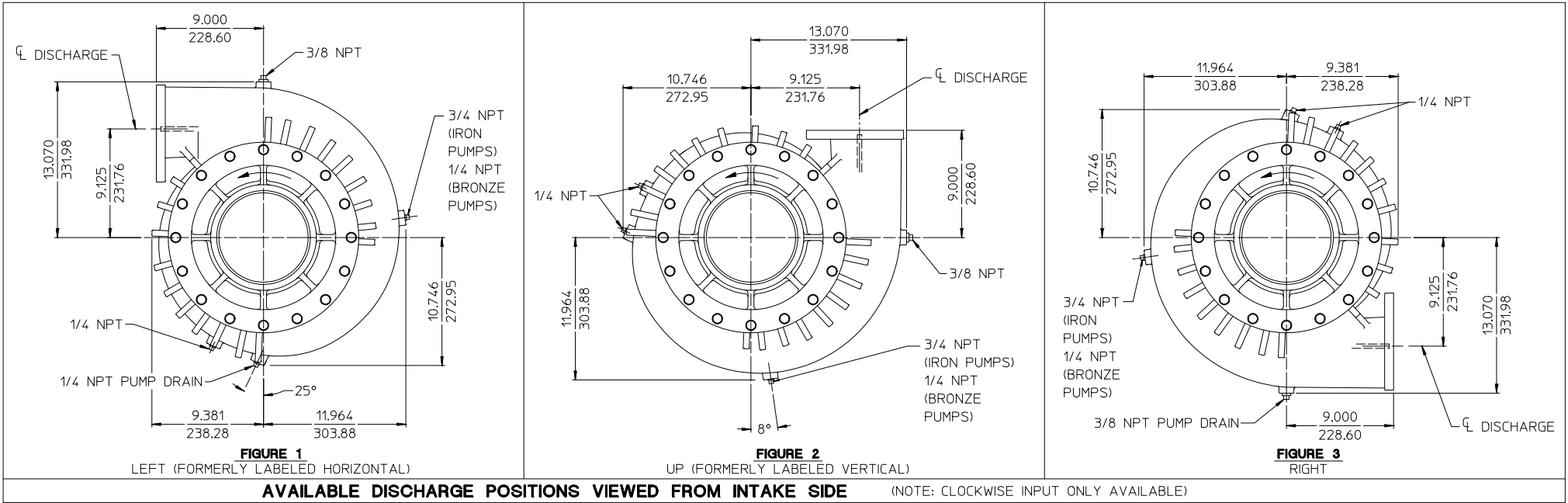
DETAIL A  
DISCHARGE FLANGE  
SEE PAGE 4 FOR OPTIONAL VICTAULIC ADAPTER



CRQA SERIES PUMP  
 DPL82332  
 WATERLOU COMPANY  
 SOUTH ST. PAUL, MN 55075  
 PAGE 2 OF 4



**AVAILABLE MOUNTING BRACKET POSITIONS**



**ORDERING INFORMATION**

WHEN ORDERING, SUPPLY THE FOLLOWING INFORMATION:

- BASIC ASSEMBLY NUMBER: 82332.
- SUFFIXES WHICH INDICATE MOUNTING BRACKET POSITIONS AND DISCHARGE POSITION:  
82332 - U (1)

BASIC ASSEMBLY NUMBER — DISCHARGE POSITION: (1) LEFT  
(2) UP  
(3) RIGHT

— MOUNTING BRACKET POSITIONS

U-INVERTED — SEE PAGE 2  
V-VERTICAL

ALL DIMENSIONS SHOWN IN INCH/MILLIMETER

( $\frac{\text{INCH}}{\text{MILLIMETER}}$ )

CRQA SERIES PUMP  
DPL82332  
WATEROUS COMPANY  
SOUTH ST. PAUL, MN 55075  
PAGE 4 OF 4