

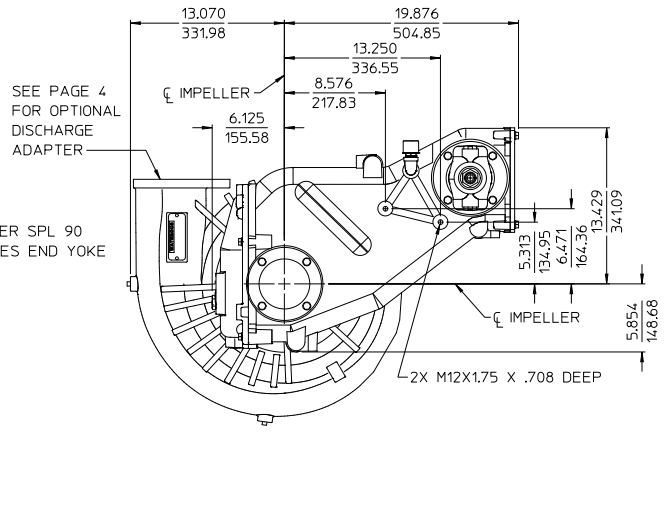
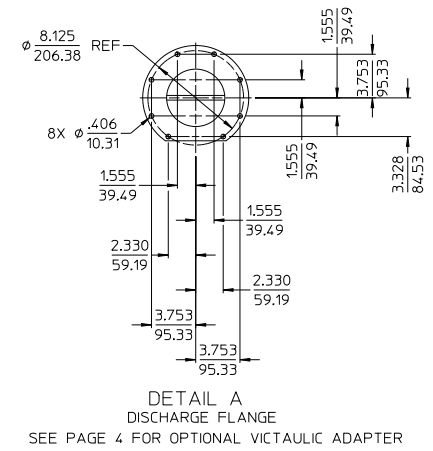
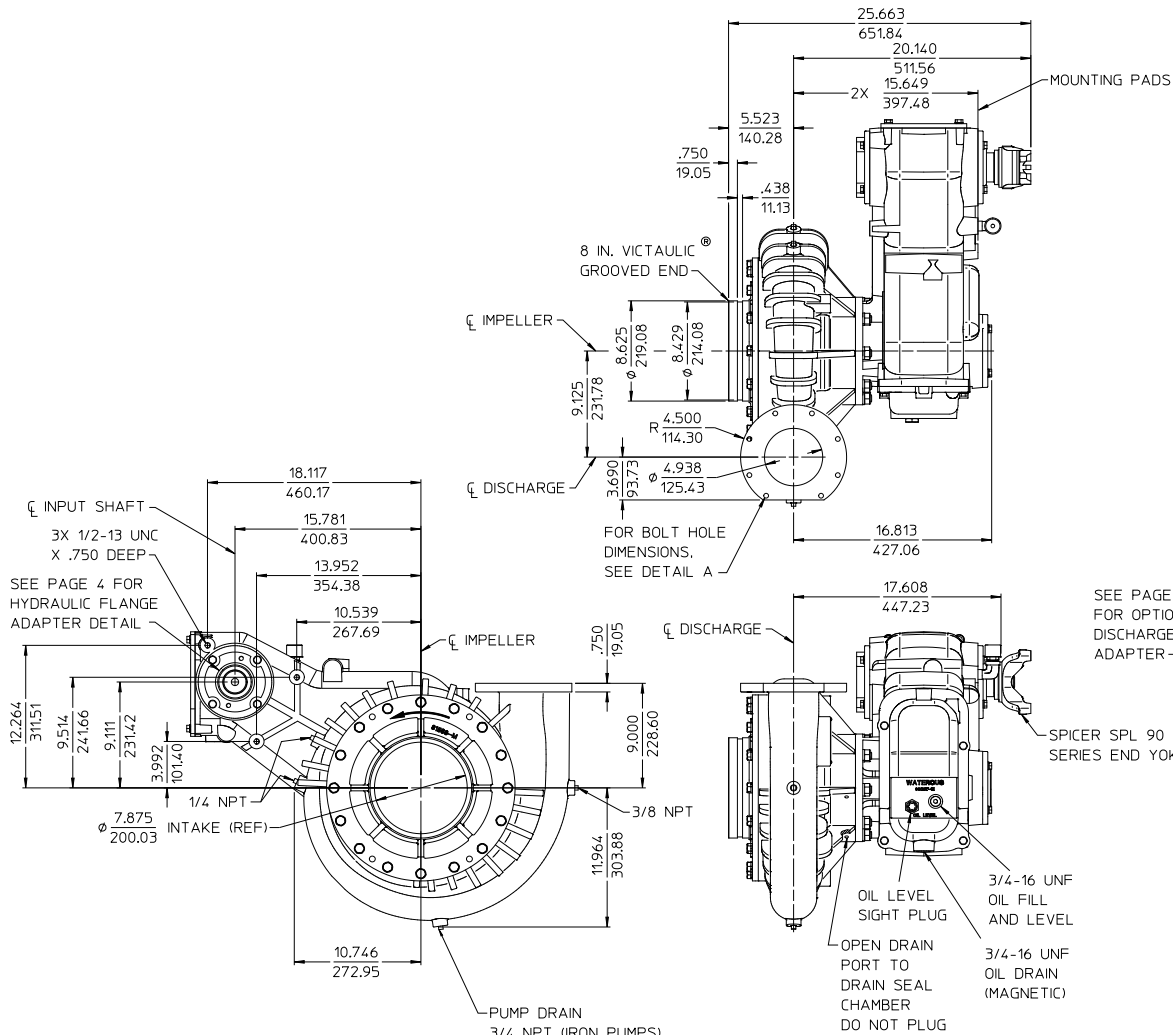


Document Number	Issue Date	Rev. Date
DPL83119	02/16/12	7/19/18

Dimensional Drawing for CRQB Series Fire Pump

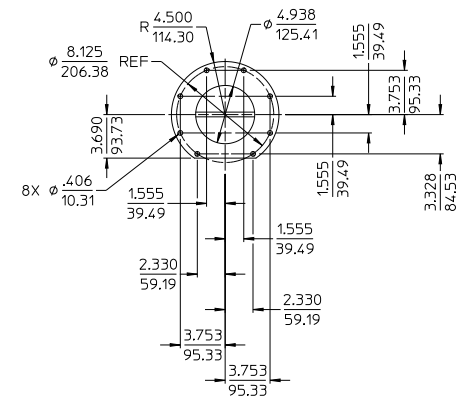
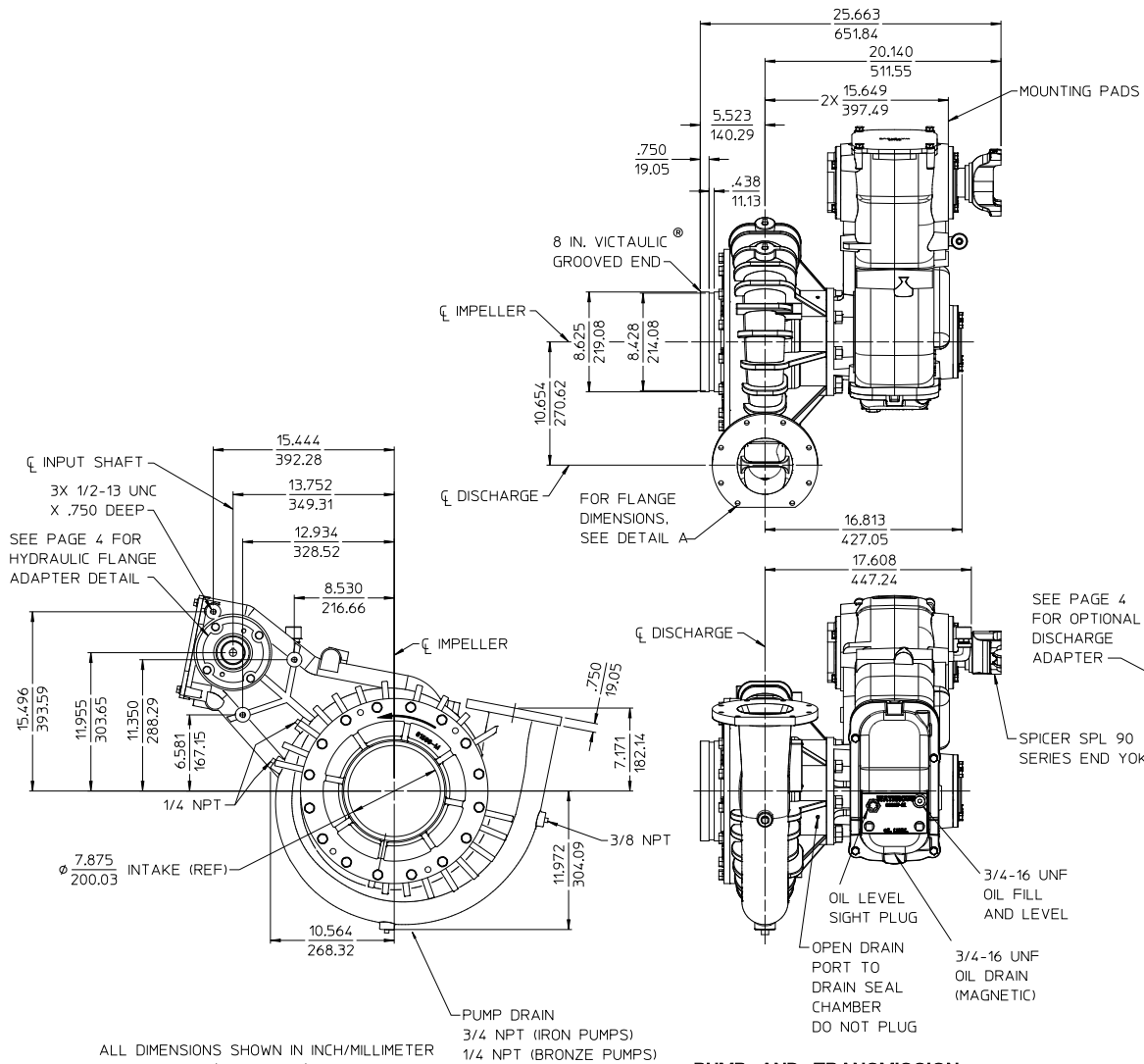
Index:

Feature	Mounting			See Page
	Pump Discharge	Transmission	Angled at 11°	
Pump and Transmission	Up	Horizontal	No	2
			Yes	3
Hydraulic Flange Adapter Outlet				4
Optional Discharge Adapter				
Ordering Information				

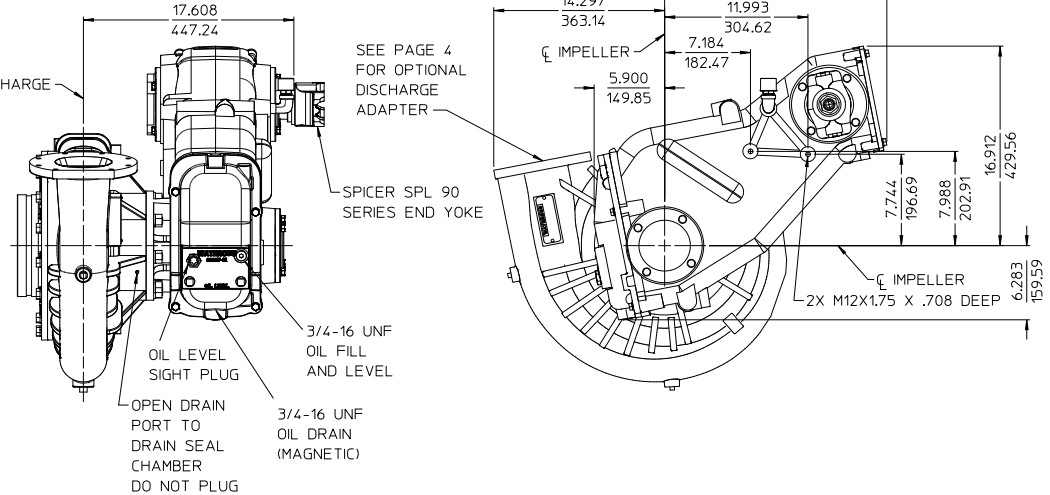


ALL DIMENSIONS SHOWN IN INCH/MILLIMETER
 (INCH / MILLIMETER)

PUMP AND TRANSMISSION
 PUMP DISCHARGE UP
 TRANSMISSION HORIZONTAL



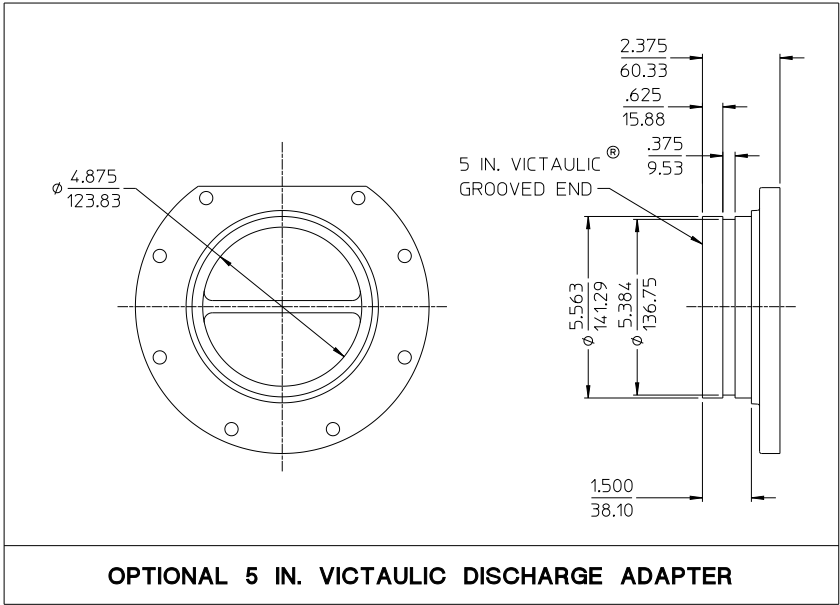
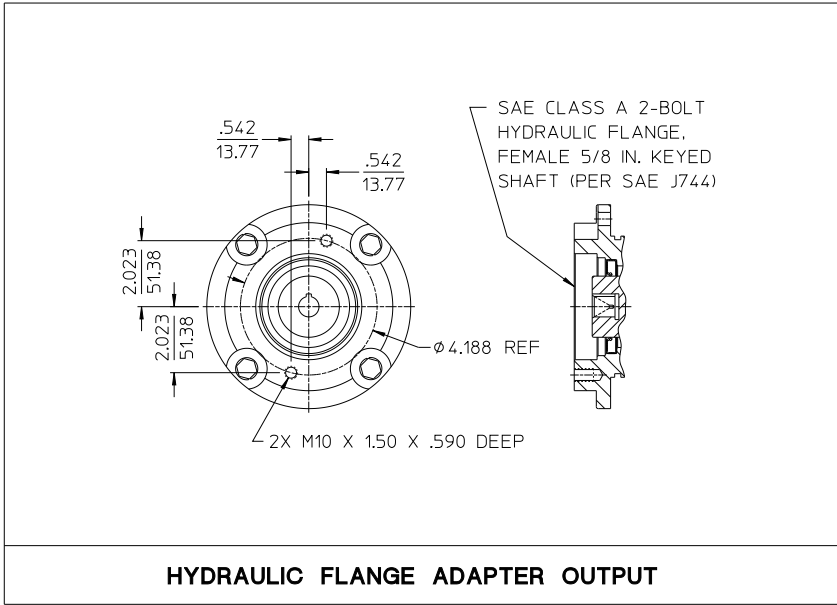
DETAIL A
 DISCHARGE FLANGE
 SEE PAGE 4 FOR OPTIONAL VICTAULIC ADAPTER



ALL DIMENSIONS SHOWN IN INCH/MILLIMETER
 (INCH / MILLIMETER)

PUMP AND TRANSMISSION

PUMP DISCHARGE UP
 TRANSMISSION HORIZONTAL
 BOTH ANGLED 11° FROM HORIZONTAL



ALL DIMENSIONS SHOWN IN INCH/MILLIMETER
 ($\frac{\text{INCH}}{\text{MILLIMETER}}$)

ORDERING INFORMATION

- WHEN ORDERING, SUPPLY THE FOLLOWING INFORMATION:
1. ASSEMBLY NUMBER: 83119.
 2. OPTIONAL DISCHARGE ADAPTER