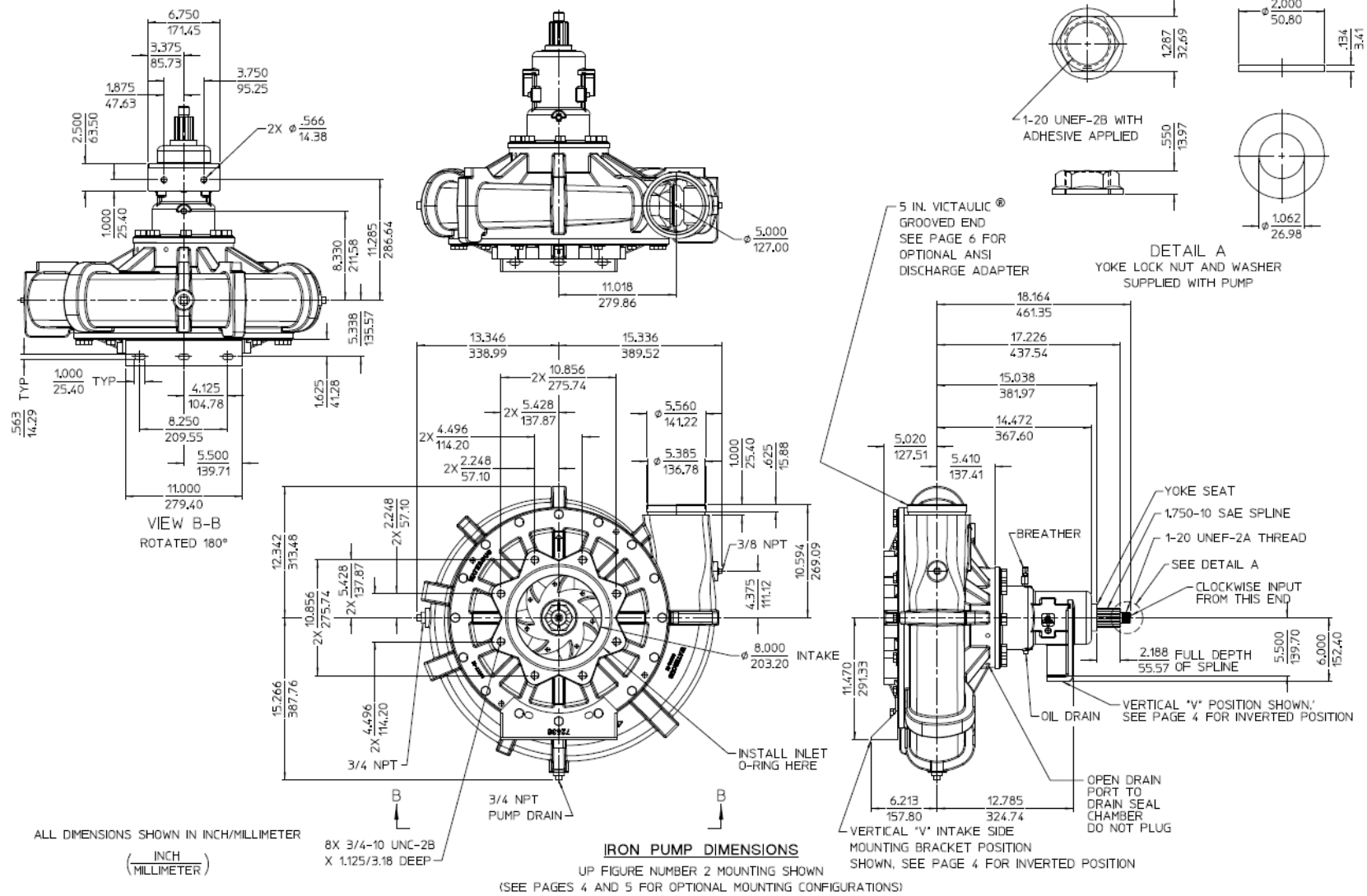
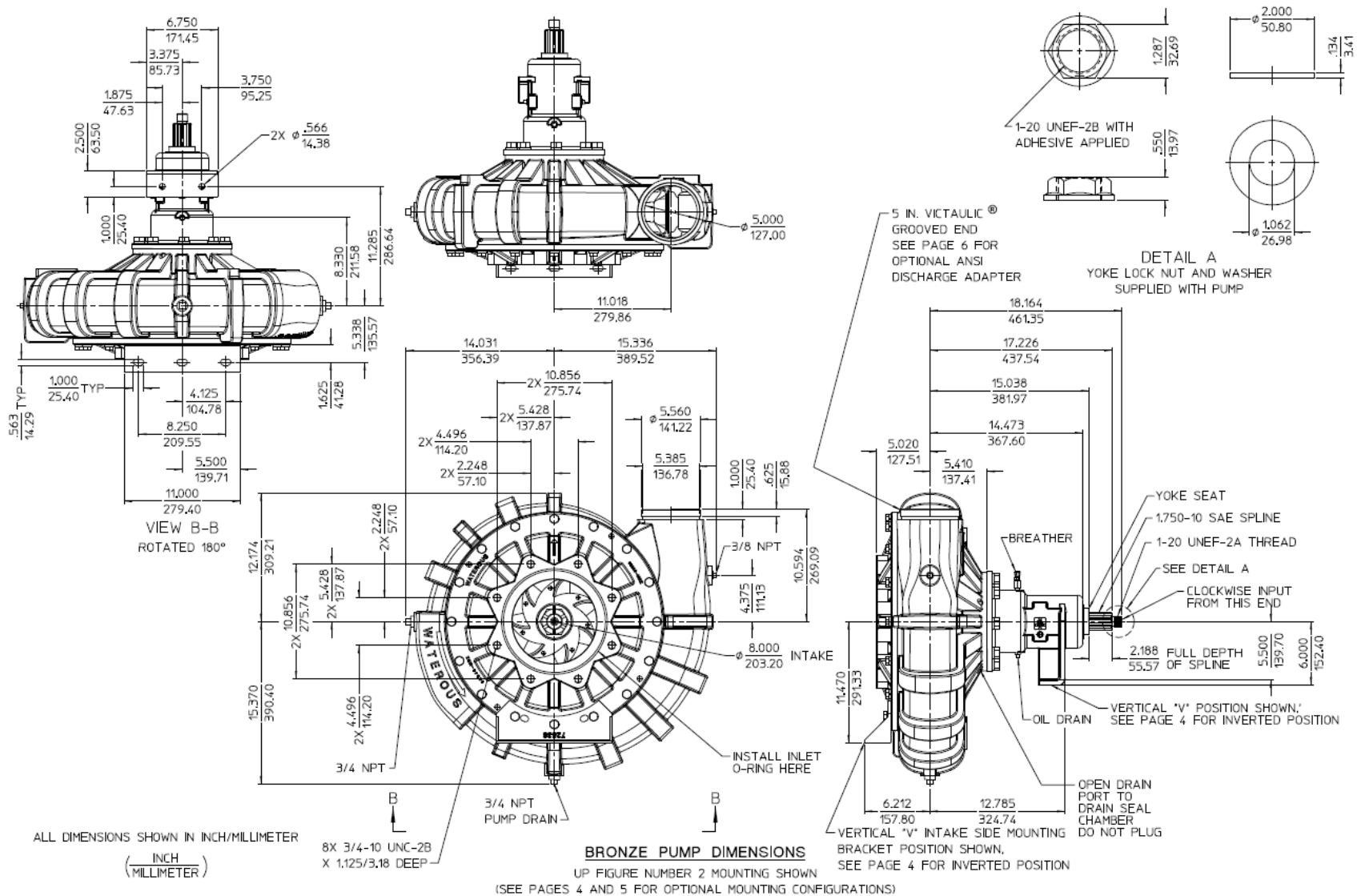


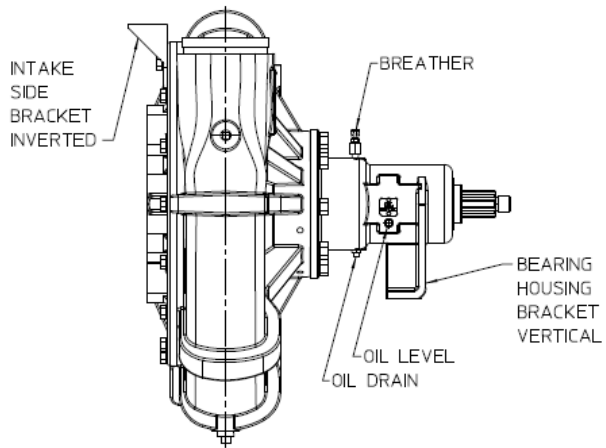
Model CRU-1 Fire Pump Dimensional Drawings

Index:

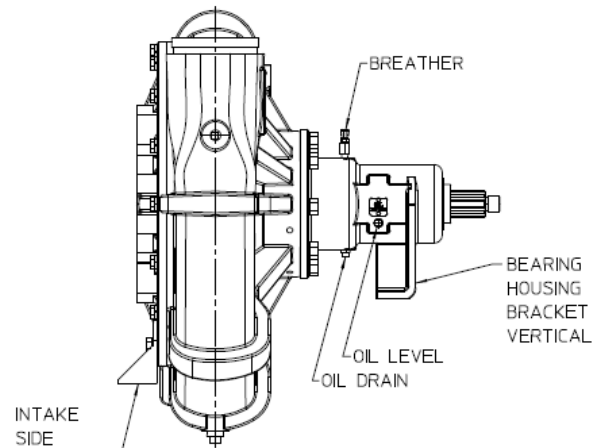
| Item | | See Page |
|----------------------------|--------|----------|
| Pump Dimensions | Iron | 2 |
| | Bronze | 3 |
| Mounting Bracket Positions | | 4 |
| Discharge Positions | | 5 |
| Optional Discharge Adapter | | 6 |
| Optional Companion Flanges | | 6 |
| Ordering Information | | 6 |



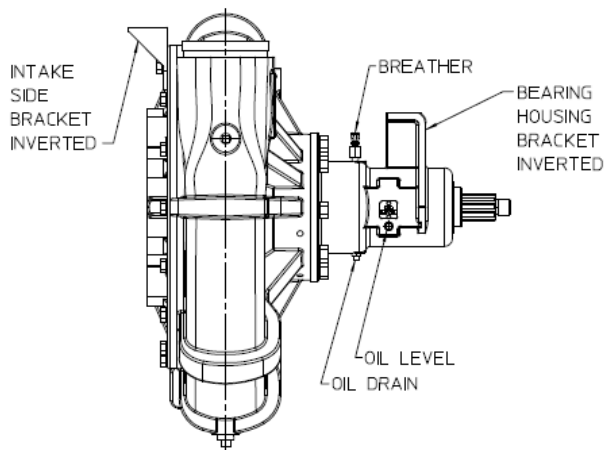




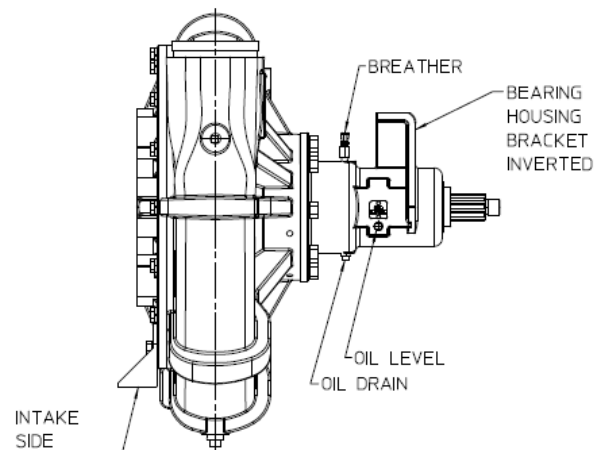
UV INVERTED / VERTICAL



VV VERTICAL / VERTICAL



UU INVERTED / INVERTED



VU VERTICAL / INVERTED

AVAILABLE MOUNTING BRACKET POSITIONS

NOTE: FIRST LETTER IDENTIFIES INTAKE SIDE BRACKET MOUNTING
 SECOND LETTER IDENTIFIES BEARING HOUSING BRACKET MOUNTING

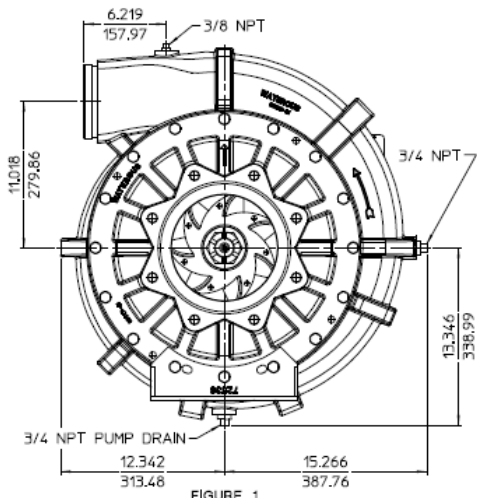


FIGURE 1
LEFT

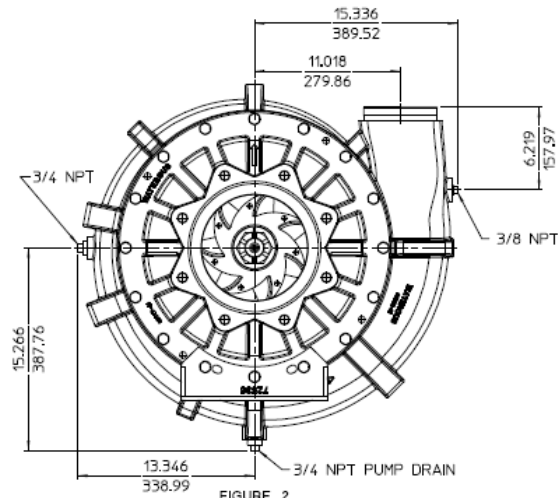


FIGURE 2
UP

IRON PUMP

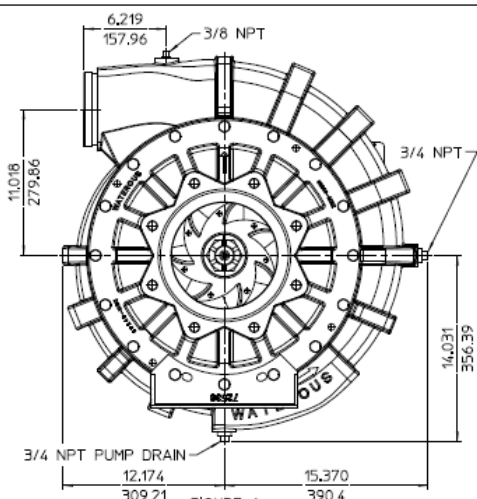


FIGURE 1
LEFT

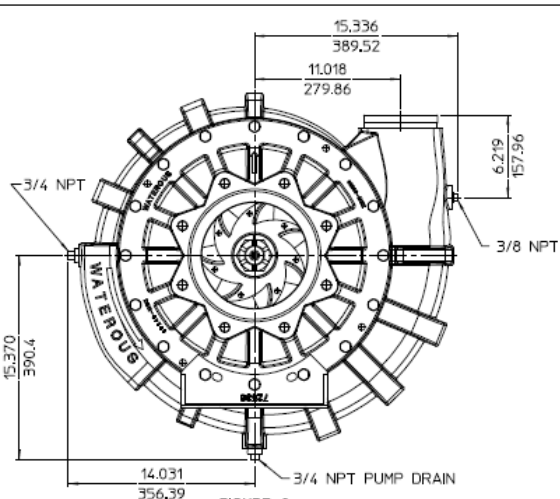
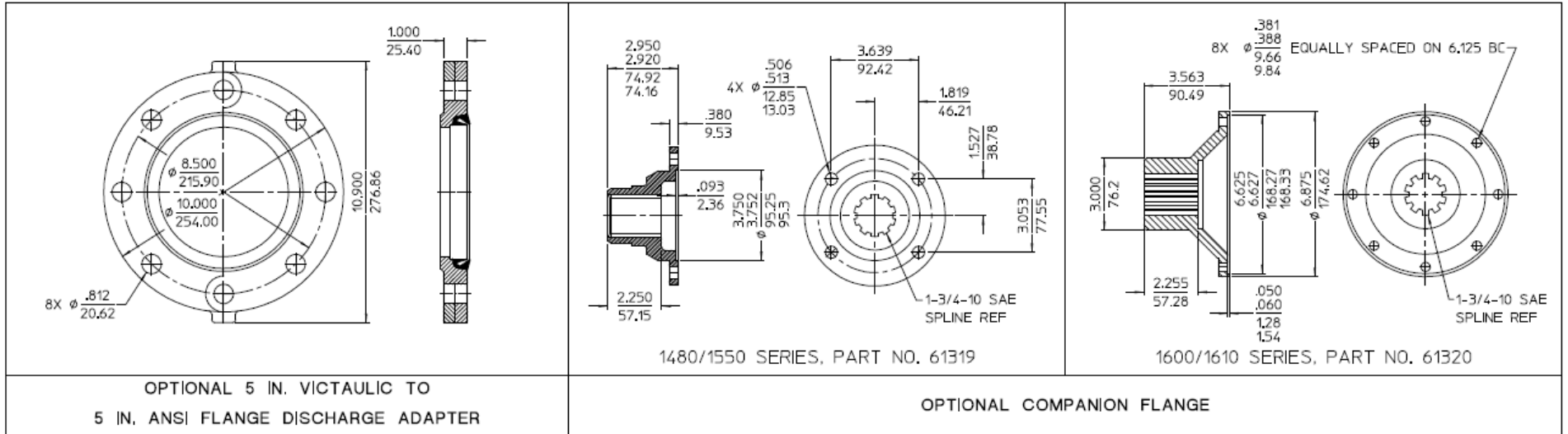


FIGURE 2
UP

BRONZE PUMP

ALL DIMENSIONS SHOWN IN INCH/MILLIMETER
(INCH / MILLIMETER)

AVAILABLE DISCHARGE POSITIONS VIEWED FROM INTAKE SIDE (NOTE: CLOCKWISE INPUT ONLY AVAILABLE)



ALL DIMENSIONS SHOWN IN INCH/MILLIMETER
(INCH / MILLIMETER)

ORDERING INFORMATION

WHEN ORDERING, SUPPLY THE FOLLOWING INFORMATION:

1. BASIC ASSEMBLY NUMBER: 83429.
2. SUFFIXES WHICH INDICATE MOUNTING BRACKET POSITIONS AND DISCHARGE POSITION:

