



Document Number	Issue Date	Rev. Date
SPL82044	09/13/94	04/29/14

CR Pump Body Assembly Service Parts List

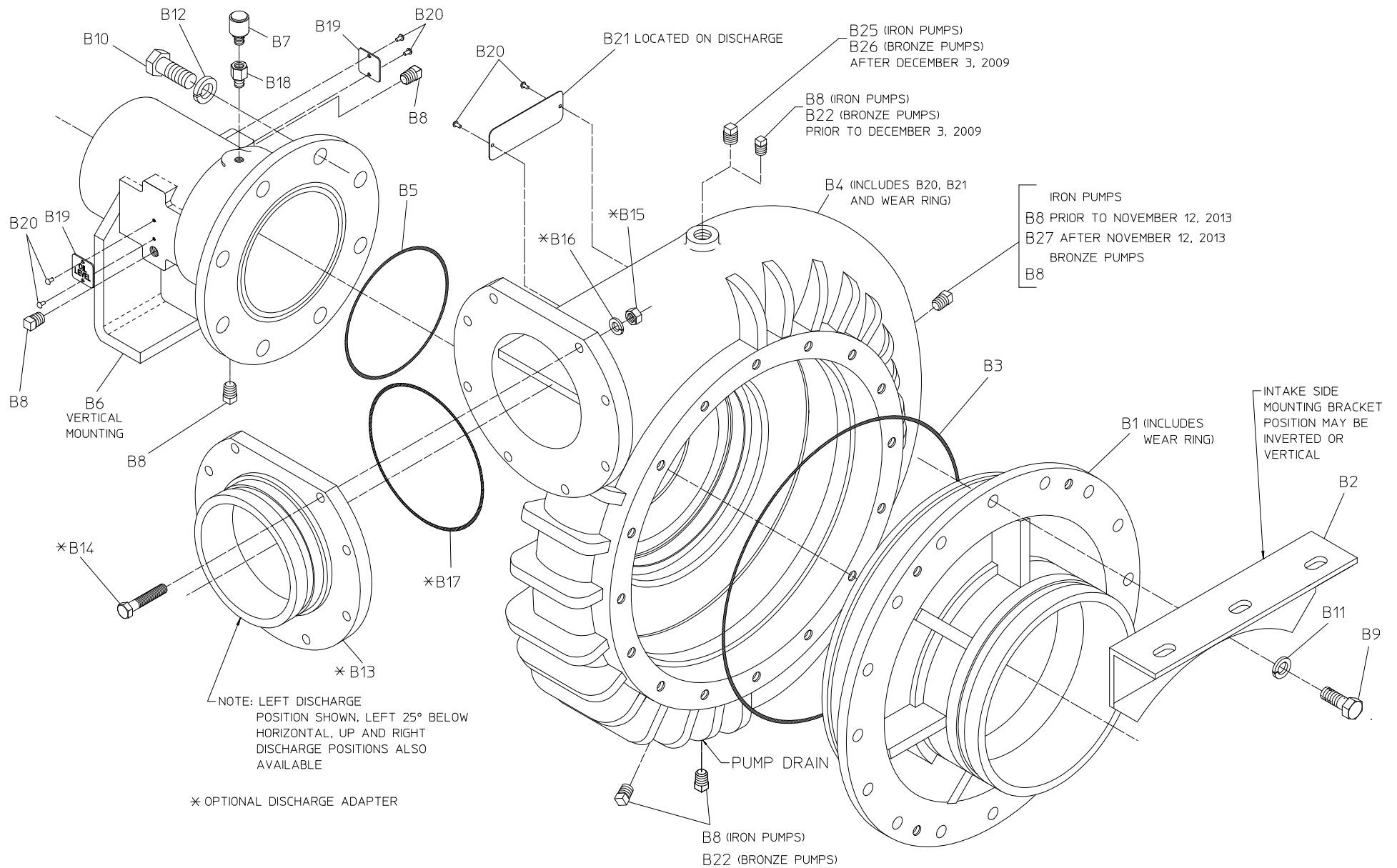
Pump Model <i>(Located on Pump Serial Plate)</i>	See Page
CR	2, 3
CRQA	4, 5
CRQB	See Service Parts List SPL83164

Model CR

REF. NO.	DESCRIPTION
B1	Intake Adapter (Includes Wear Ring)
B2	Mounting Bracket
B3	O-ring, 13 x 13-1/4 in.
B4	Volute Body (Includes B20, B21 and Wear Ring)
B5	O-ring, 5-5/8 x 5-7/8 in.
B6	Bearing Housing
B7	Breather
B8	Steel Pipe Plug, 1/4 NPT
B9	Hex Hd Screw, 1/2-13 x 7/8 in.
B10	Hex Hd Screw, 5/8-11 x 1-1/2 in.
B11	Lock Washer, 1/2 in.
B12	Lock Washer, 5/8 in.
B13*	Discharge Adapter

REF. NO.	DESCRIPTION
B14*	Hex Hd Screw, 3/8-24 x 2 in.
B15*	Hex Nut, 3/8-24
B16*	Lock Washer, 3/8 in.
B17*	O-ring, 6-1/4 x 6-1/2 in.
B18	Snubber
B19	Oil Level Plug
B20	Drive Screw, No. 6 x 1/4 in.
B21	Serial Plate
B22	Brass Pipe Plug, 1/4 NPT
B25	Steel Pipe Plug, 3/8 NPT
B26	Brass Pipe Plug, 3/8 NPT
B27	Steel Pipe Plug, 3/4 NPT

*** These items are optional.**



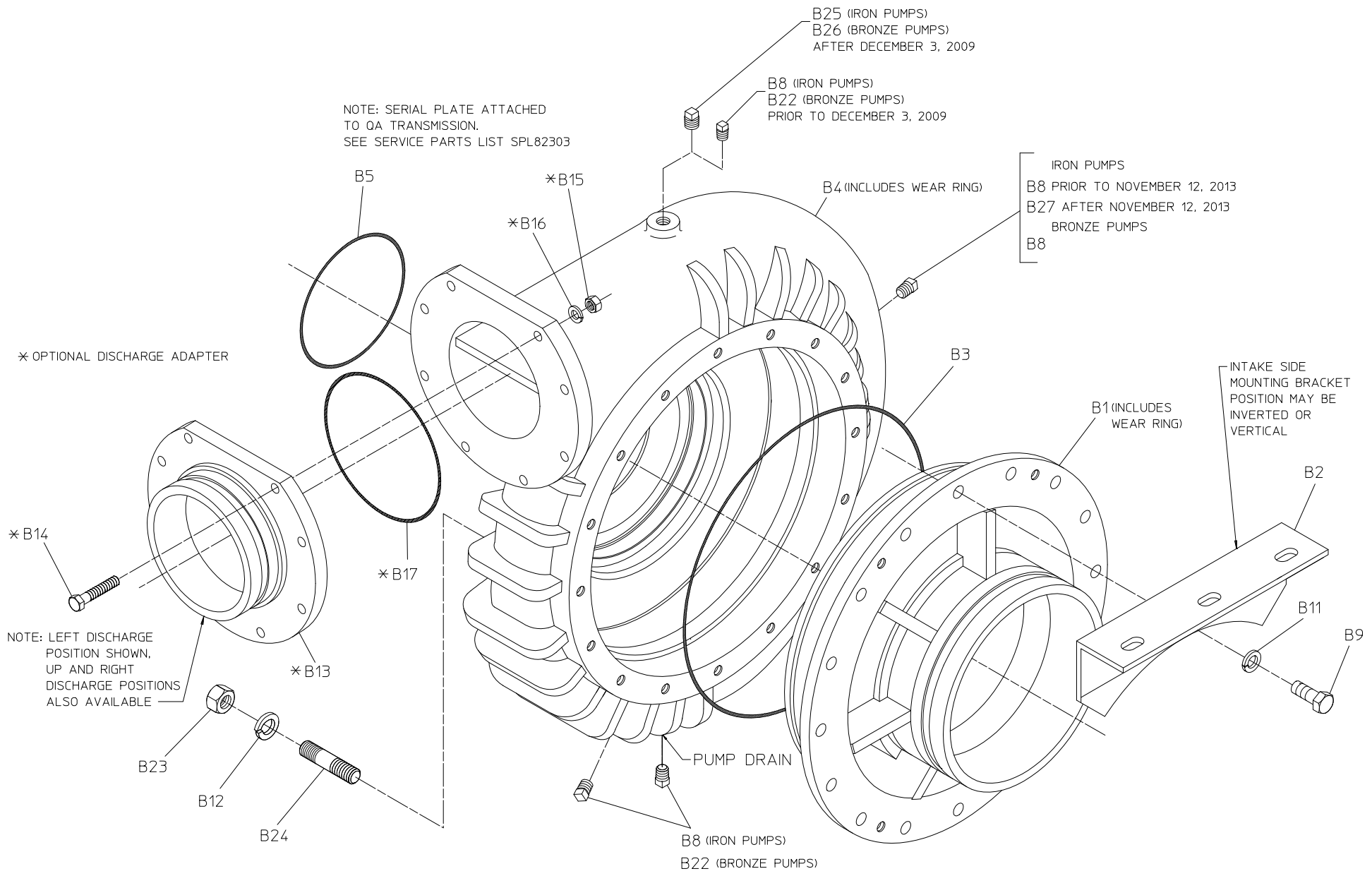
MODEL CR

Model CRQA

REF. NO.	DESCRIPTION
B1	Intake Adapter (Includes Wear Ring)
B2	Mounting Bracket
B3	O-ring, 13 x 13-1/4 in.
B4	Volute Body (Includes Wear Ring)
B5	O-ring, 5-5/8 x 5-7/8 in.
B8	Steel Pipe Plug, 1/4 NPT
B9	Hex Hd Screw, 1/2-13 x 7/8 in.
B11	Lock Washer, 1/2 in.
B12	Lock Washer, 5/8 in.
B13*	Discharge Adapter

REF. NO.	DESCRIPTION
B14*	Hex Hd Screw, 3/8-24 x 2 in.
B15*	Hex Nut, 3/8-24
B16*	Lock Washer, 3/8 in.
B17*	O-ring, 6-1/4 x 6-1/2 in.
B22	Brass Pipe Plug, 1/4 NPT
B23	Hex Nut, 5/8-18
B24	Stud, 5/8 NC x NF
B25	Steel Pipe Plug, 3/8 NPT
B26	Brass Pipe Plug, 3/8 NPT
B27	Steel Pipe Plug, 3/4 NPT

*** These items are optional.**



NOTE: SERIAL PLATE ATTACHED TO QA TRANSMISSION. SEE SERVICE PARTS LIST SPL82303

B25 (IRON PUMPS)
B26 (BRONZE PUMPS)
AFTER DECEMBER 3, 2009

B8 (IRON PUMPS)
B22 (BRONZE PUMPS)
PRIOR TO DECEMBER 3, 2009

IRON PUMPS
B8 PRIOR TO NOVEMBER 12, 2013
B27 AFTER NOVEMBER 12, 2013
BRONZE PUMPS
B8

* OPTIONAL DISCHARGE ADAPTER

NOTE: LEFT DISCHARGE POSITION SHOWN. UP AND RIGHT DISCHARGE POSITIONS ALSO AVAILABLE

INTAKE SIDE MOUNTING BRACKET POSITION MAY BE INVERTED OR VERTICAL

MODEL CRQA