

CR Series Pump Impeller Shaft Service Parts Lists

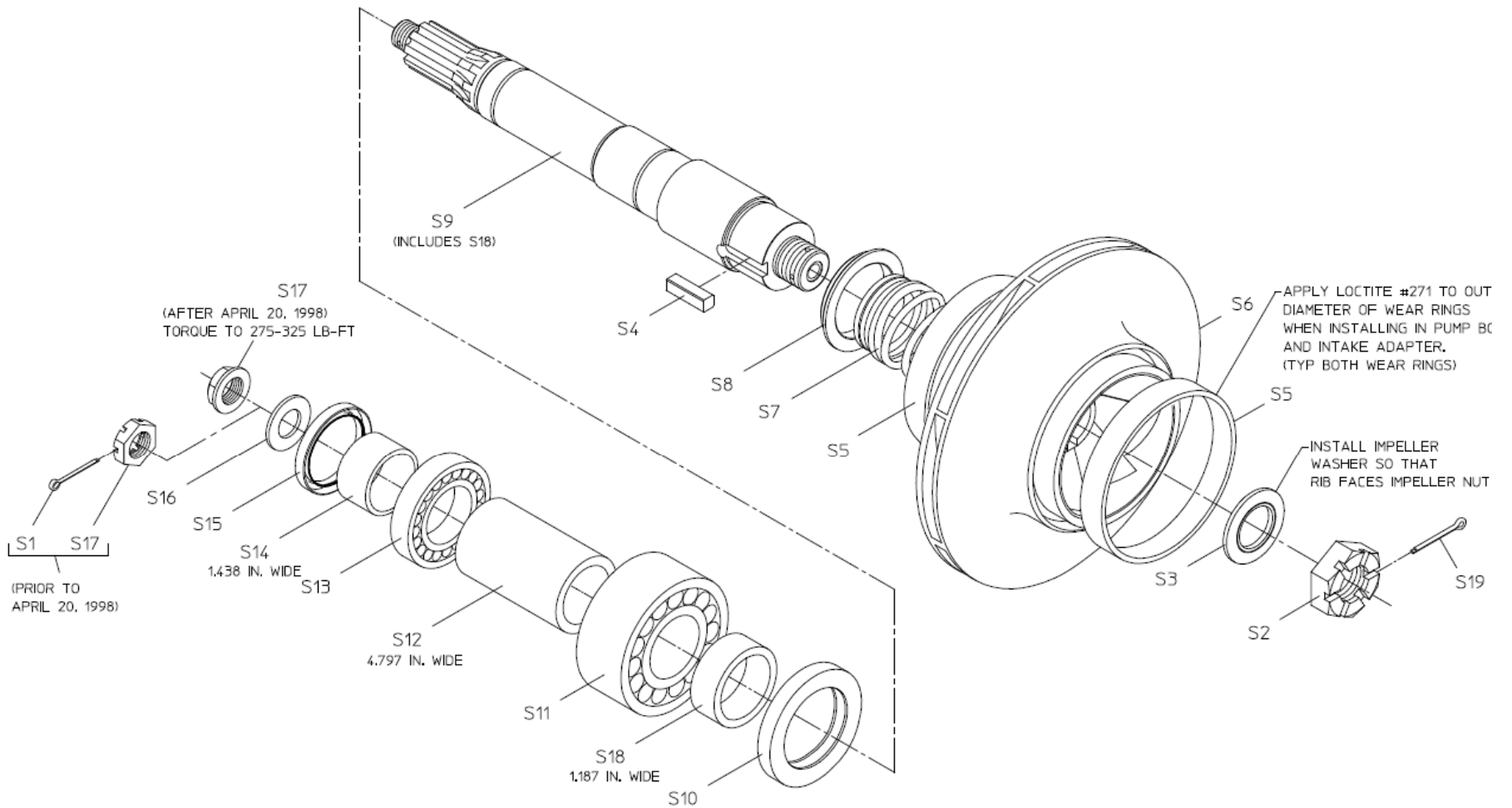
Index:

Pump Model <i>(Located on Pump Serial Plate)</i>	See Page
CR	2, 3
CROA	4, 5
CROB	6, 7
CROC	8, 9

Model CR (Direct Drive)

REF NO.	DESCRIPTION
S1	Cotter Pin, 1/8 x 1-3/4 in. (Prior to April 20, 1998)
S2	Impeller Nut
S3	Impeller Washer
S4	Square Key, 1/2 x 1/2 x 1-3/4 in.
S5	Wear Ring
S6	Impeller
S7	Mechanical Seal Kit
S8	Throttle Bushing
S9	Impeller Shaft (Includes S18)
S10	Oil Seal

REF NO.	DESCRIPTION
S11	Ball Bearing
S12	Bearing Spacer, 4.797 in. Wide
S13	Ball Bearing
S14	Oil Seal Sleeve, 1.438 in. Wide
S15	Oil Seal
S16	Flat Washer, 1 in.
S17	Shaft Nut
S18	Oil Seal Sleeve, 1.187 in. Wide
S19	Cotter Pin, 5/32 x 2 in.

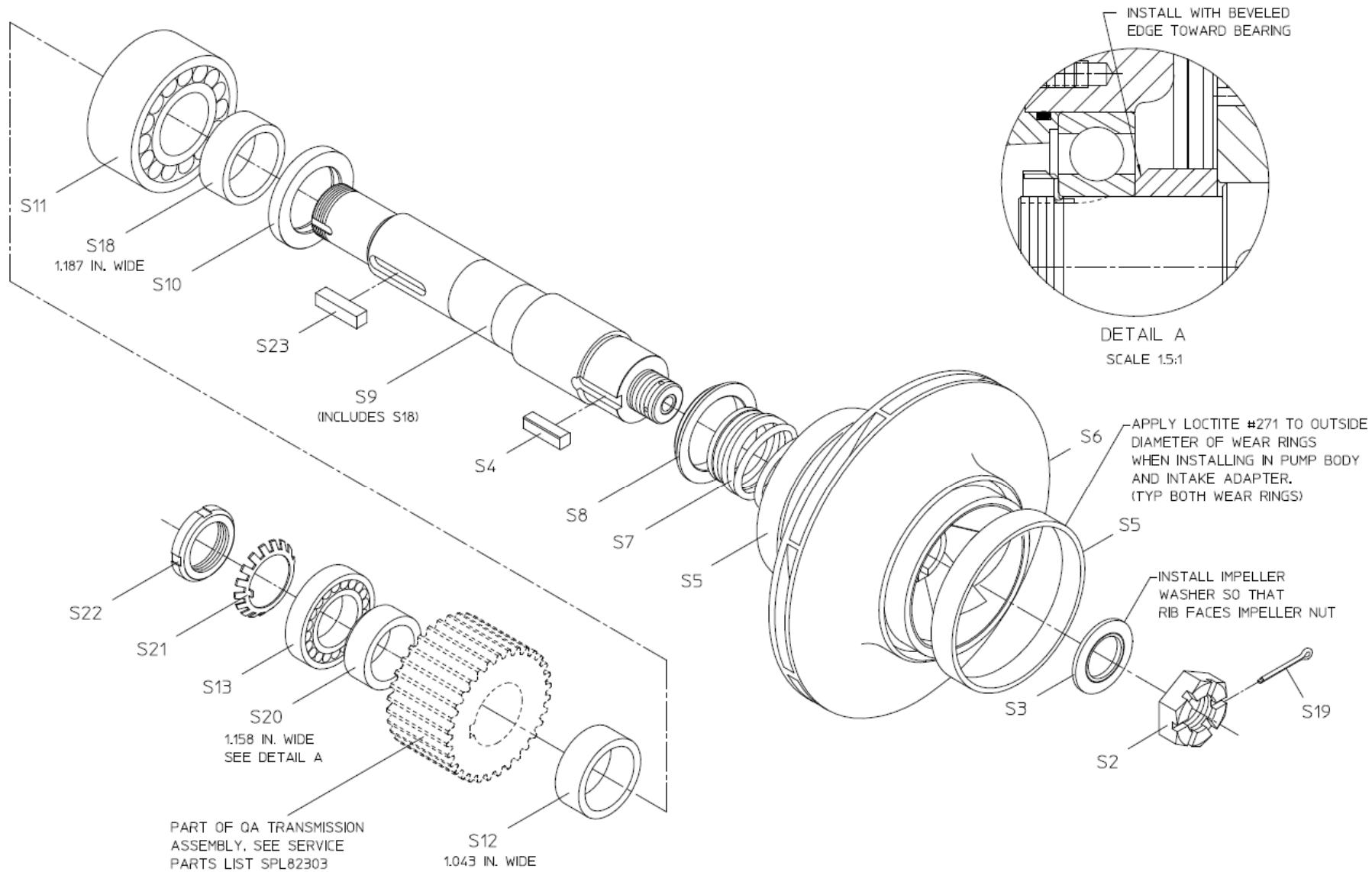


MODEL CR

Model CRQA

REF NO.	DESCRIPTION
S2	Impeller Nut
S3	Impeller Washer
S4	Square Key, 1/2 x 1/2 x 1-3/4 in.
S5	Wear Ring
S6	Impeller
S7	Mechanical Seal Kit
S8	Throttle Bushing
S9	Impeller Shaft (Includes S18)
S10	Oil Seal

REF NO.	DESCRIPTION
S11	Ball Bearing
S12	Bearing Spacer, 1.043 in. Wide
S13	Ball Bearing
S18	Oil Seal Sleeve, 1.187 in. Wide
S19	Cotter Pin, 5/32 x 2 in.
S20	Spacer, 1.158 in. Wide
S21	Bearing Lockwasher
S22	Bearing Lock Nut
S23	Square Key, 1/2 x 1/2 x 2 in.

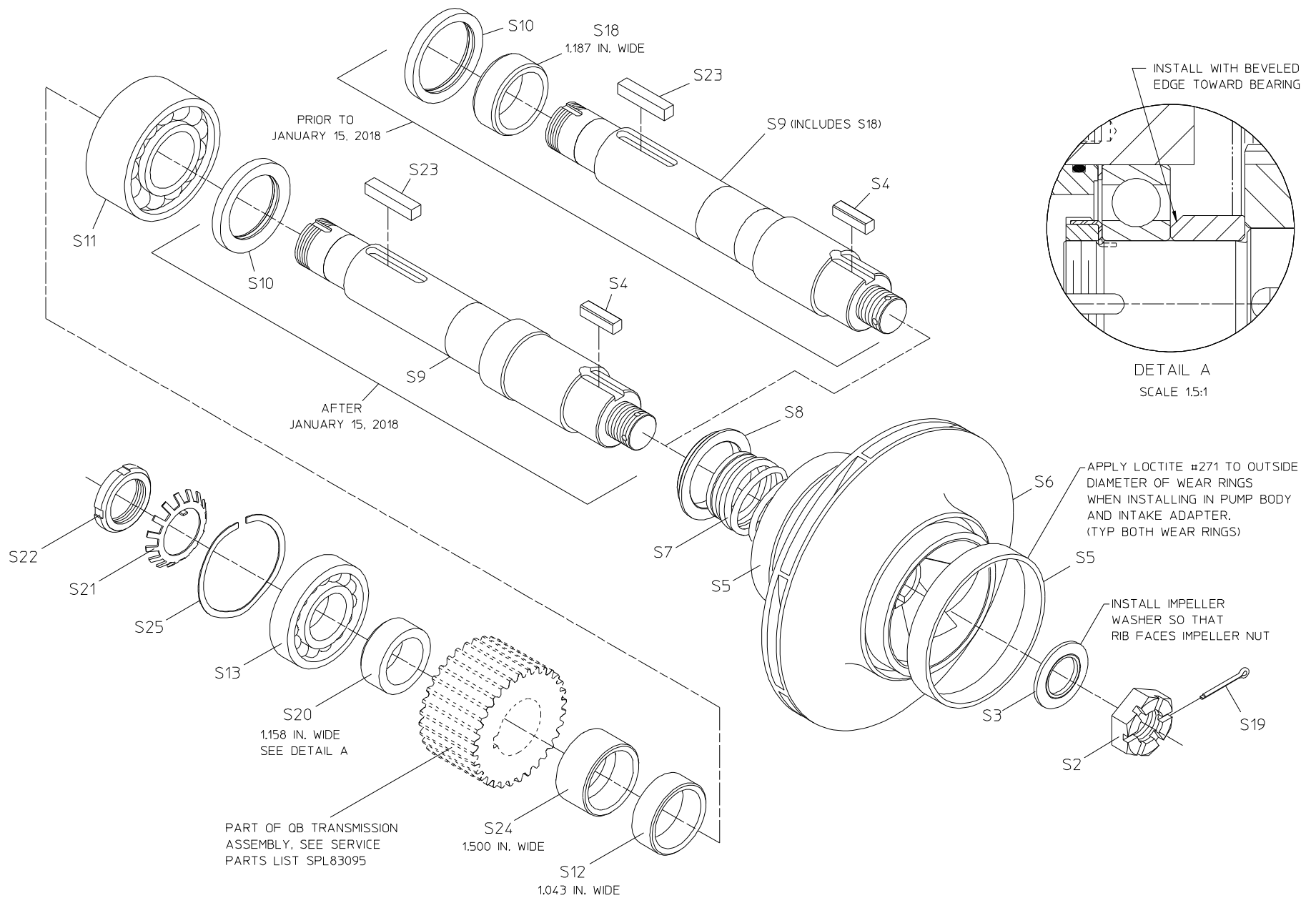


MODEL CRQA

Model CRQB

REF NO.	DESCRIPTION
S2	Impeller Nut
S3	Impeller Washer
S4	Square Key, 1/2 x 1/2 x 1-3/4 in.
S5	Wear Ring
S6	Impeller
S7	Mechanical Seal Kit
S8	Throttle Bushing
S9	Impeller Shaft
S10	Oil Seal
S11	Ball Bearing

REF NO.	DESCRIPTION
S12	Bearing Spacer, 1.043 in. Wide
S13	Ball Bearing
S18	Oil Seal Sleeve, 1.187 in. Wide
S19	Cotter Pin, 5/32 x 2 in.
S20	Spacer, 1.158 in. Wide
S21	Bearing Lockwasher
S22	Bearing Lock Nut
S23	Square Key, 1/2 x 1/2 x 2 in.
S24	Impeller Shaft Spacer, 1.500 in. Wide
S25	Wave Spring

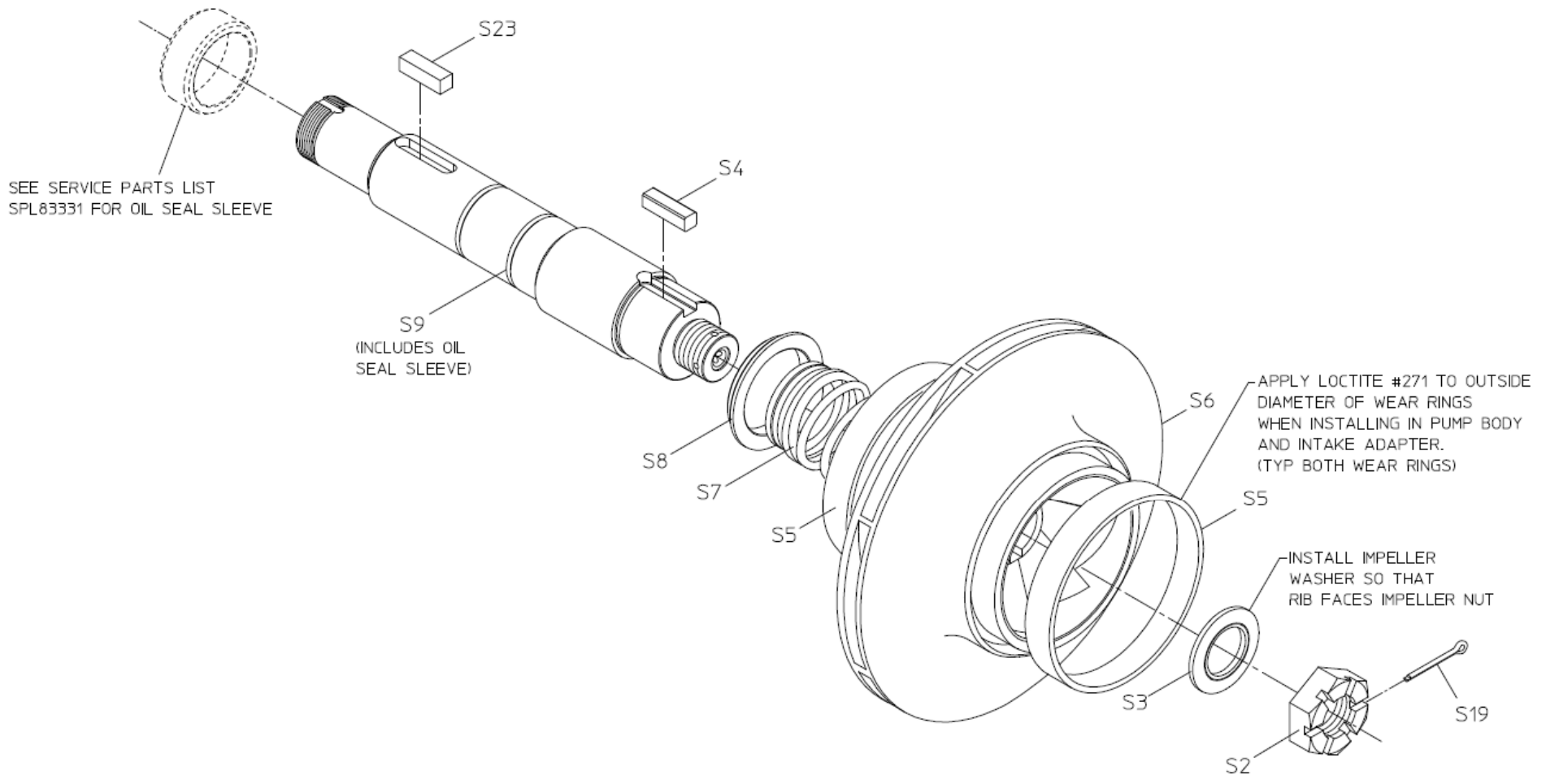


MODEL CRQB

Model CRQC

REF NO.	DESCRIPTION
S2	Impeller Nut
S3	Impeller Washer
S4	Square Key, 1/2 x 1/2 x 1-3/4 in.
S5	Wear Ring
S6	Impeller

REF NO.	DESCRIPTION
S7	Mechanical Seal Kit
S8	Throttle Bushing
S9	Impeller Shaft
S19	Cotter Pin, 5/32 x 2 in.
S23	Square Key, 1/2 x 1/2 x 1-3/4 in.



MODEL CRQC