



Document Number	Issue Date	Rev. Date
SPL83121	9/25/14	12/9/14

**CRU-1 Impeller Shaft Assembly
Service Parts List**

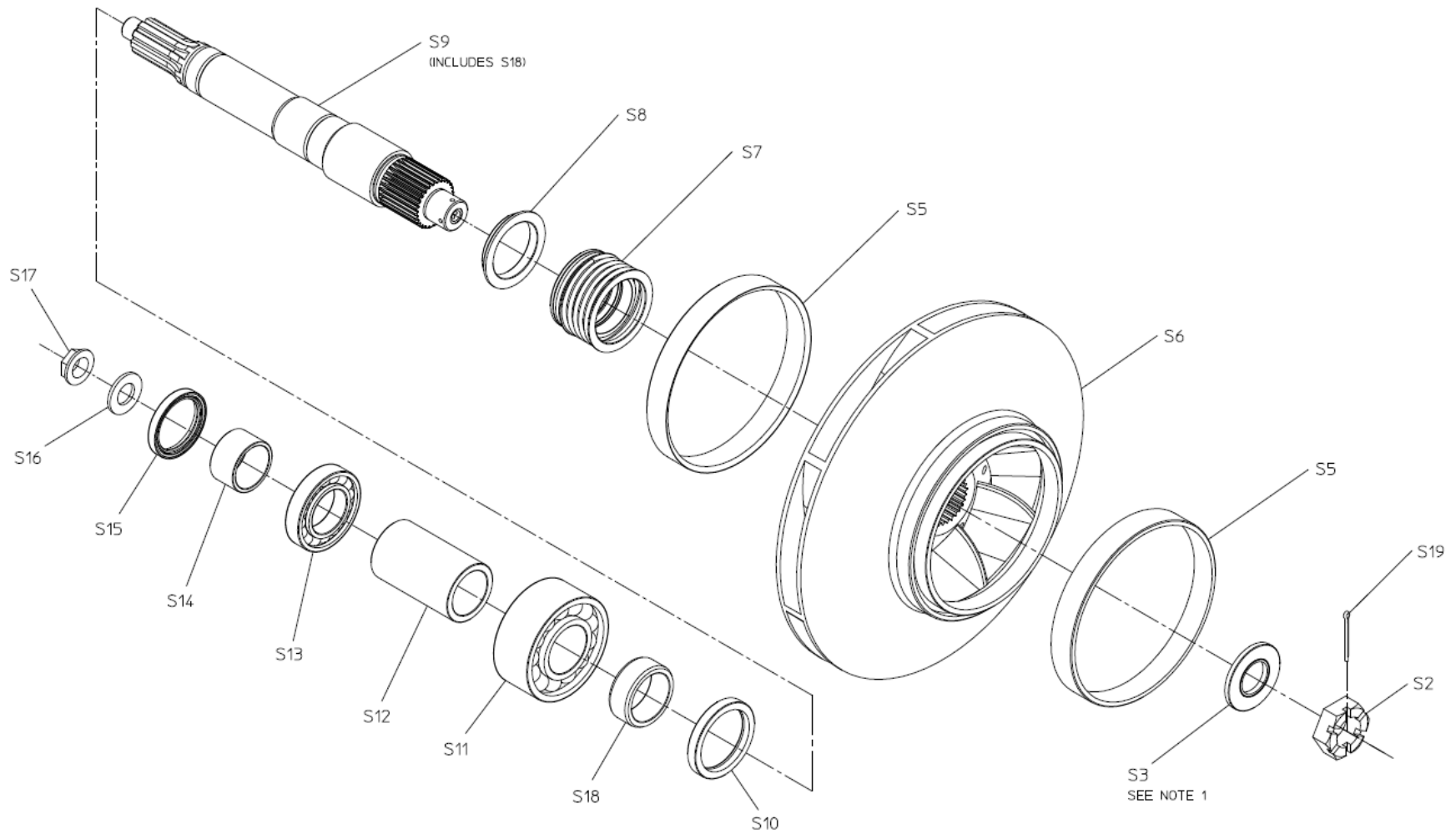
Index:

Item	See Pages
Exploded View	2, 3
Cross-Section View	4, 5

Exploded View

REF NO.	DESCRIPTION
S2	Nut-Impeller
S3	Washer-Impeller
S5	Ring-Wear
S6	Impeller
S7	Kit-Mechanical Seal
S8	Bushing-Throttle
S9	Shaft-Impeller (Includes S18)
S10	Seal-Oil
S11	Bearing-Ball, Double Row

REF NO.	DESCRIPTION
S12	Spacer
S13	Bearing-Ball
S14	Sleeve-Oil Seal
S15	Seal-Oil
S16	Washer-Flat
S17	Lock Nut Replacement Kit
S18	Sleeve-Oil Seal
S19	Pin-Cotter



EXPLODED VIEW

NOTES:

1. INSTALL IMPELLER WASHER SO THAT RIB FACES THE IMPELLER NUT.

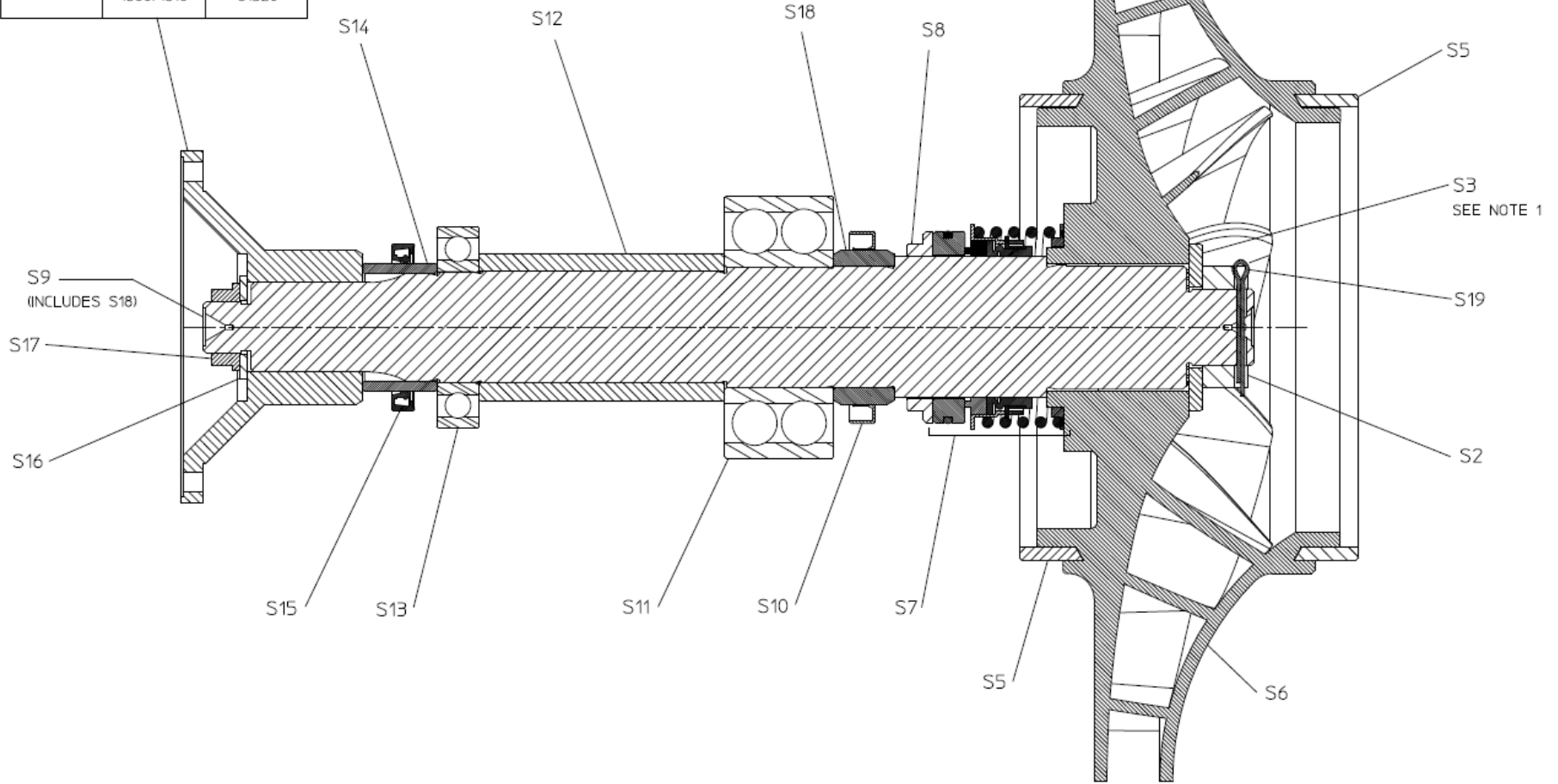
Cross-Section View

REF NO.	DESCRIPTION
S2	Nut-Impeller
S3	Washer-Impeller
S5	Ring-Wear
S6	Impeller
S7	Kit-Mechanical Seal
S8	Bushing-Throttle
S9	Shaft-Impeller (Includes S18)
S10	Seal-Oil
S11	Bearing-Ball, Double Row

REF NO.	DESCRIPTION
S12	Spacer
S13	Bearing-Ball
S14	Sleeve-Oil Seal
S15	Seal-Oil
S16	Washer-Flat
S17	Lock Nut Replacement Kit
S18	Sleeve-Oil Seal
S19	Pin-Cotter

OPTIONAL COMPANION FLANGES MAY NOT
HAVE BEEN FURNISHED BY WATEROUS

TYPE	SERIES	PART NO.
COMPANION FLANGE	1480/1550	61319
	1600/1610	61320



CROSS-SECTION VIEW

NOTES:

1. INSTALL IMPELLER WASHER SO THAT RIB FACES THE IMPELLER NUT.