



Document Number	Issue Date	Rev. Date
SPL82586	02/10/03	11/29/17

CZU Series Pump Impeller Shaft Service Parts List

Index:

View	See Page
Exploded View	2, 3
Cross Section View	4, 5

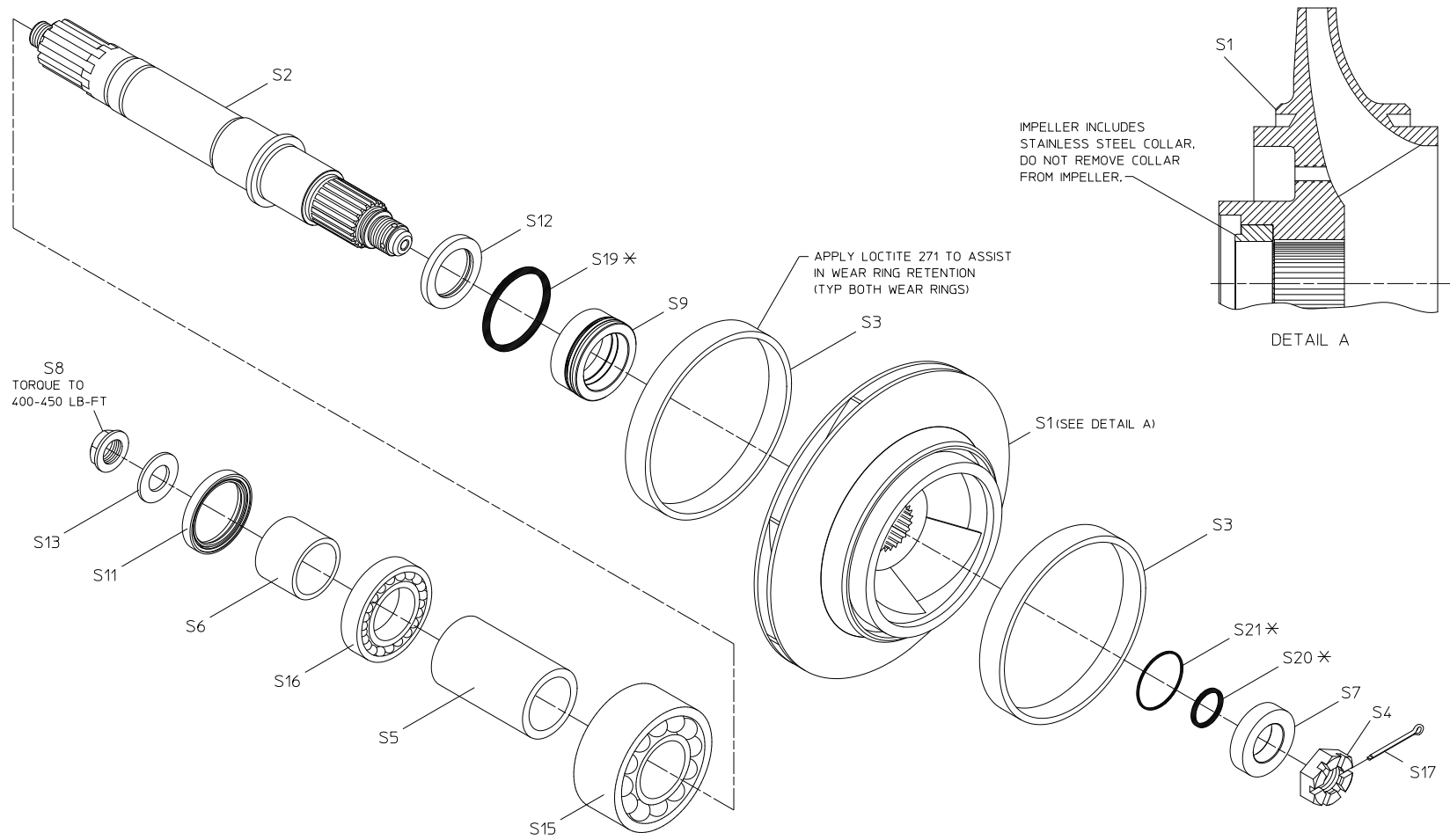
Waterous Company 125 Hardman Avenue South, South St. Paul, Minnesota 55075 USA (651) 450-5000

NOTE: When ordering parts, provide Pump, Transmission or PTO Serial Number.

Exploded View

REF. NO.	DESCRIPTION
S1	Impeller (Includes Collar)
S2	Impeller Shaft
S3	Wear Ring (Available in Standard or 0.025, 0.050 and 0.075 in. Undersize)
S4	Impeller Nut
S5	Bearing Spacer
S6	Oil Seal Sleeve
S7	Impeller Washer
S8	Shaft Nut
S9	Mechanical Seal Kit (Includes S19, S20 and S21 O-rings) (Also Includes B9 O-ring From Body Assembly)

REF. NO.	DESCRIPTION
S11	Oil Seal, 2-1/2 x 3-1/4 x 7/16 in.
S12	Oil Seal, 2-1/4 x 3-1/8 x 3/8 in.
S13	Flat Washer, 1 in.
S15	Ball Bearing, Double Row
S16	Ball Bearing, Single Row
S17	Cotter Pin, 5/32 x 2 in.
S19	O-ring, 3 x 3-3/8 in.
S20	O-ring, 1-5/16 x 1-9/16 in.
S21	O-ring, 2-1/4 x 2-3/8 in.



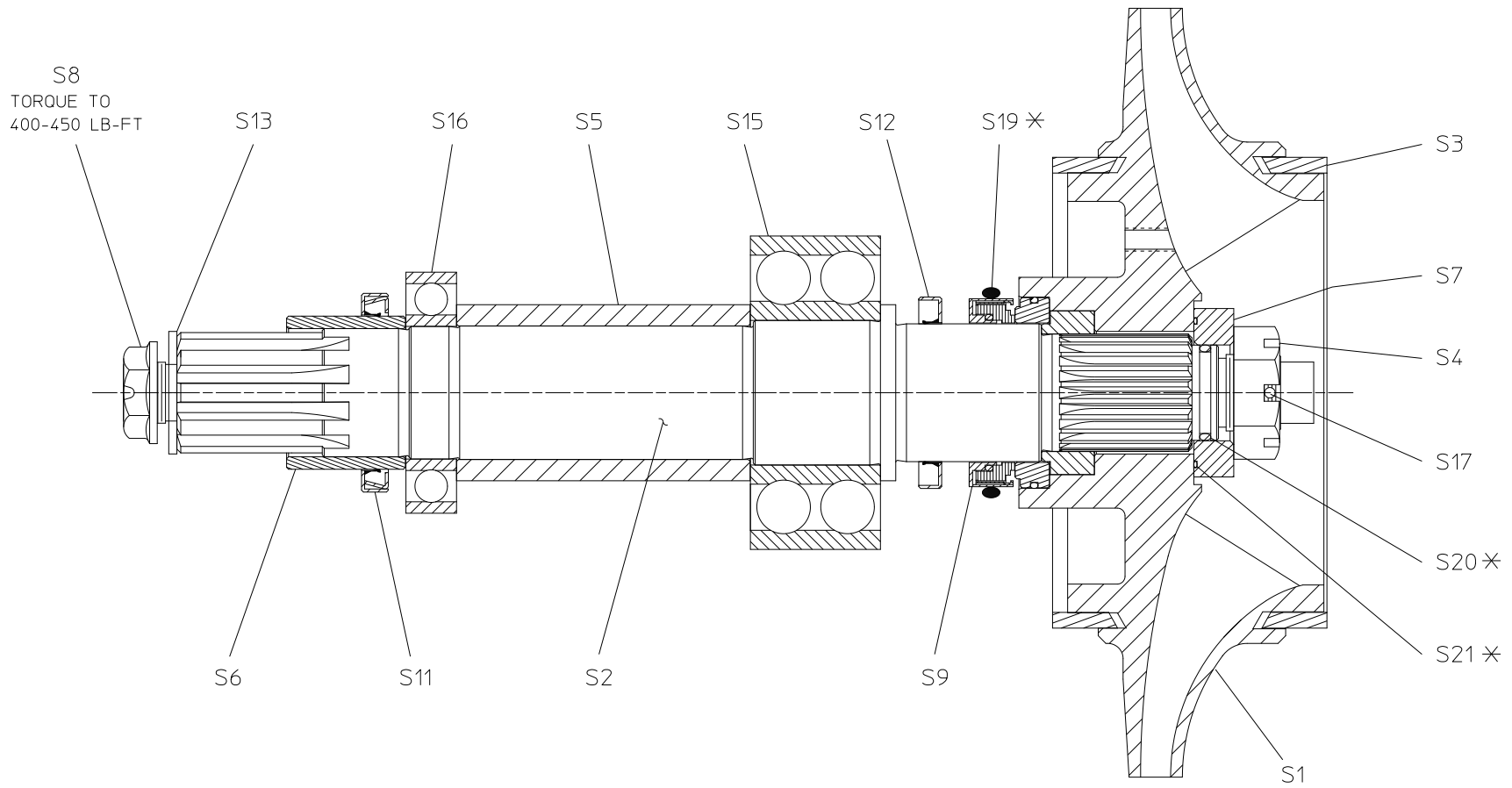
✖ INCLUDED WITH MECHANICAL SEAL KIT S9
(ALSO INCLUDES O-RING B9 FROM BODY ASSEMBLY)

EXPLODED VIEW

Cross Section View

REF. NO.	DESCRIPTION
S1	Impeller (Includes Collar)
S2	Impeller Shaft
S3	Wear Ring (Available in Standard or 0.025, 0.050 and 0.075 in. Undersize)
S4	Impeller Nut
S5	Bearing Spacer
S6	Oil Seal Sleeve
S7	Impeller Washer
S8	Shaft Nut
S9	Mechanical Seal Kit (Includes S19, S20 and S21 O-rings) (Also Includes B9 O-ring From Body Assembly)

REF. NO.	DESCRIPTION
S11	Oil Seal, 2-1/2 x 3-1/4 x 7/16 in.
S12	Oil Seal, 2-1/4 x 3-1/8 x 3/8 in.
S13	Flat Washer, 1 in.
S15	Ball Bearing, Double Row
S16	Ball Bearing, Single Row
S17	Cotter Pin, 5/32 x 2 in.
S19	O-ring, 3 x 3-3/8 in.
S20	O-ring, 1-5/16 x 1-9/16 in.
S21	O-ring, 2-1/4 x 2-3/8 in.



CROSS SECTION VIEW

✱ INCLUDED WITH MECHANICAL SEAL KIT S9
 (ALSO INCLUDES O-RING B9 FROM BODY ASSEMBLY)