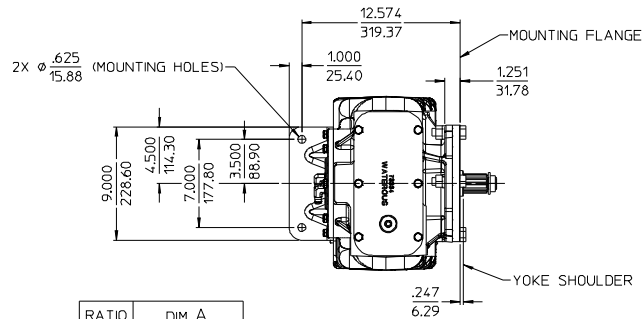
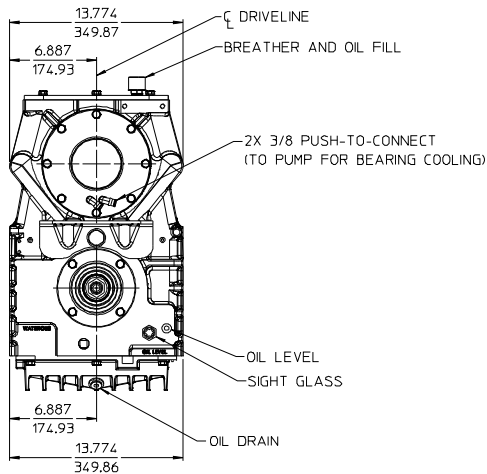
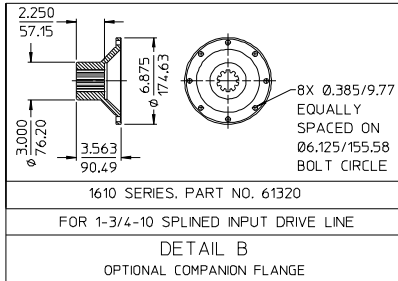
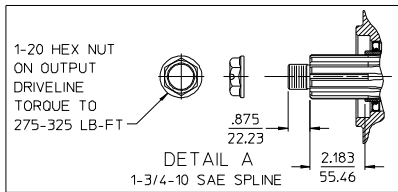




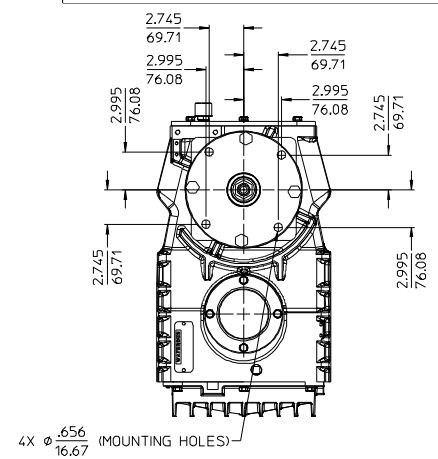
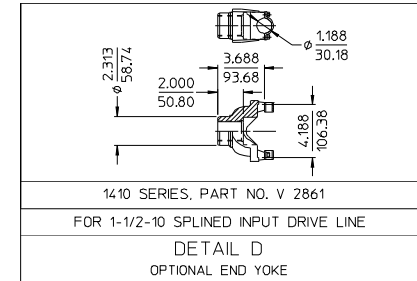
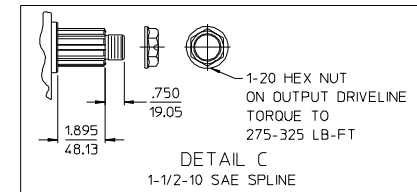
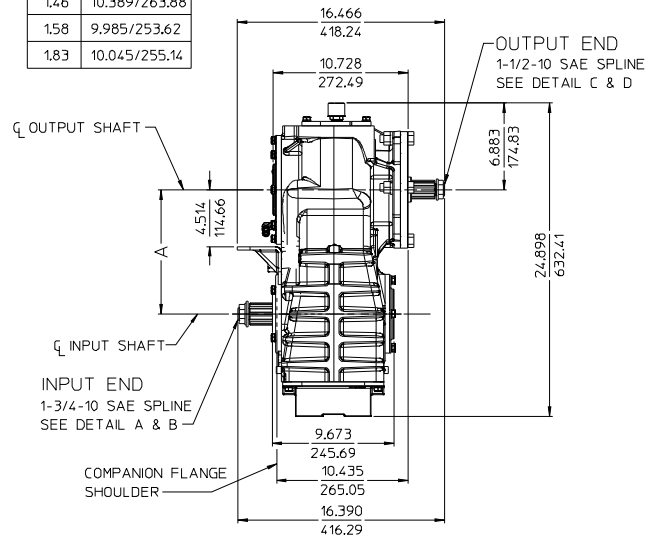
Document Number	Issue Date	Rev. Date
DPL83425	04/04/14	8/2/18

Dimensional Drawing for T Series P.T.O.

Output Shaft	See Page
Opposing Side of Input Shaft	2
Same Side of Input Shaft	3

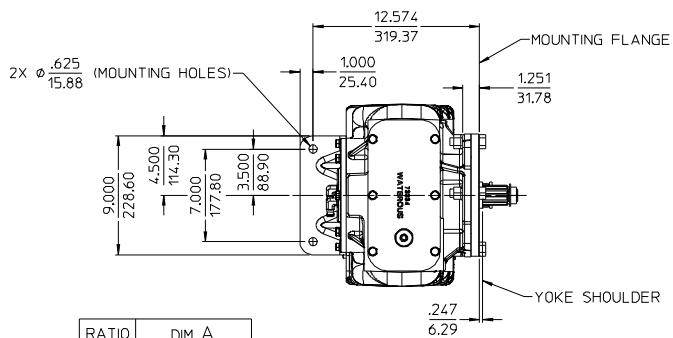


RATIO	DIM A
1.31	9.867/250.62
1.14	10.102/256.59
1.46	10.389/263.88
1.58	9.985/253.62
1.83	10.045/255.14

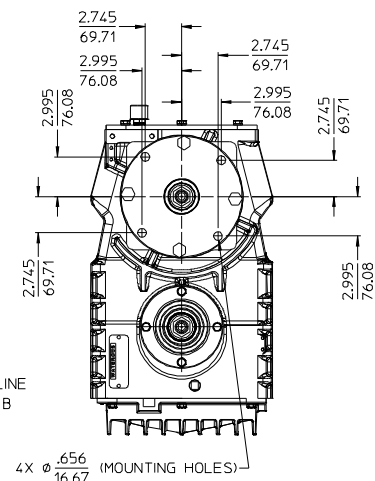
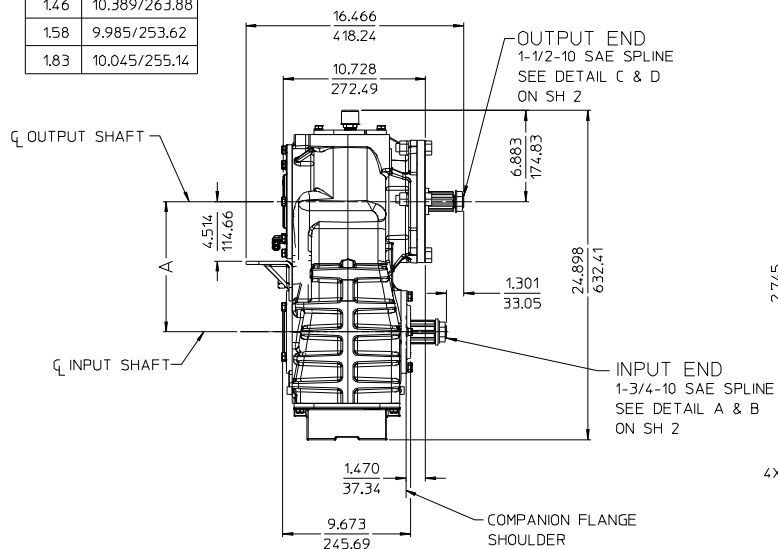
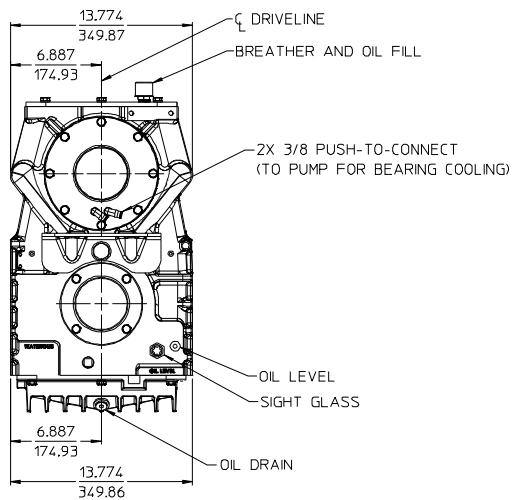


ALL DIMENSIONS SHOWN AS INCH/MILLIMETER
(INCH / MILLIMETER)

TQC P.T.O. ASSEMBLY
OUTPUT SHAFT ON OPPOSING
SIDE OF INPUT SHAFT
CW OR CCW INPUT (1.31 RATIO SHOWN)



RATIO	DIM A
1.31	9.867/250.62
1.14	10.102/256.59
1.46	10.389/263.88
1.58	9.985/253.62



ALL DIMENSIONS SHOWN AS INCH/MILLIMETER
(INCH / MILLIMETER)

TQC P.T.O. ASSEMBLY
OUTPUT SHAFT ON SAME
SIDE AS INPUT SHAFT
CW OR CCW INPUT (1.31 RATIO SHOWN)