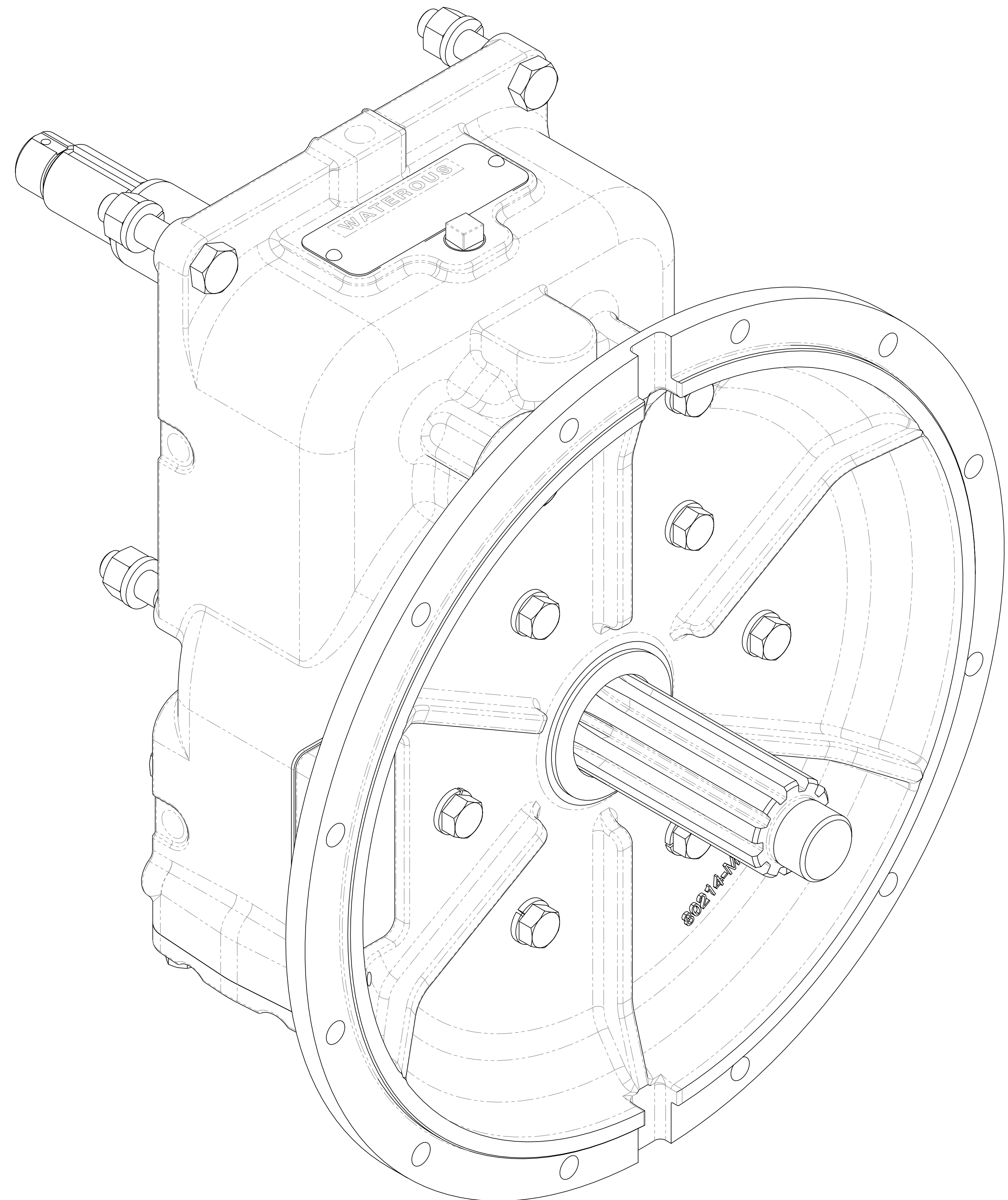
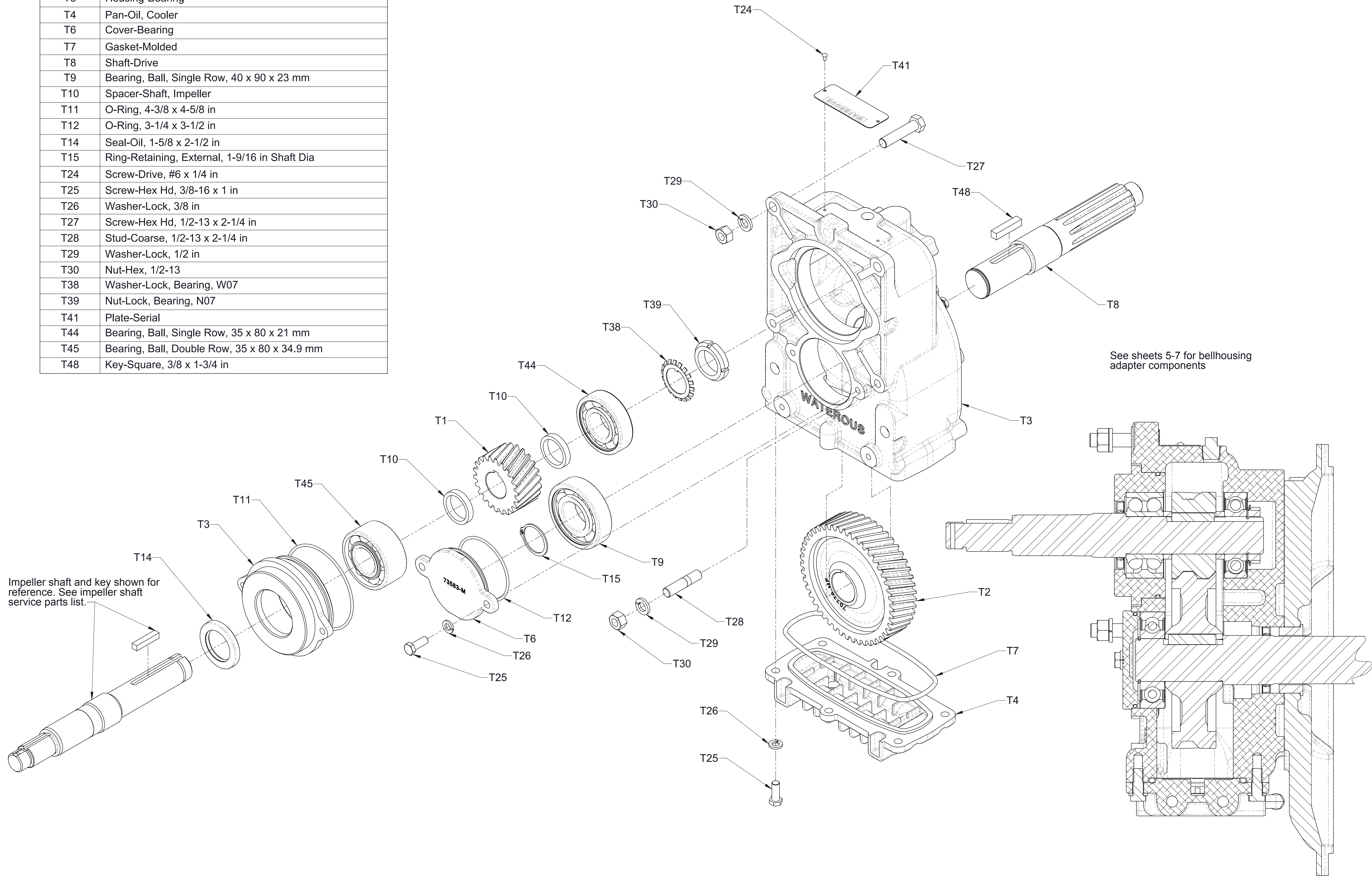


Heavy Duty T Transmission Assy 83743

Pump Model	Impeller Shaft Type	Input Shaft Type	See Sheet
CXN, CXV	One-Piece	1-3/4-10 SAE Spline	2
CGV, CGVR	One-Piece	1-3/4-10 SAE Spline	3
RF-600	One-Piece	1-3/4-10 SAE Spline	4
	Bellhousing Adapter -- SAE 2		5
	Bellhousing Adapter -- SAE 3		6
	Bellhousing Adapter -- SAE 4		7
	Oil Cooler Fittings - CG, CX		8
Pump Mounting Positions - Oil Level, Breather, Drain, and Vent locations			9-10

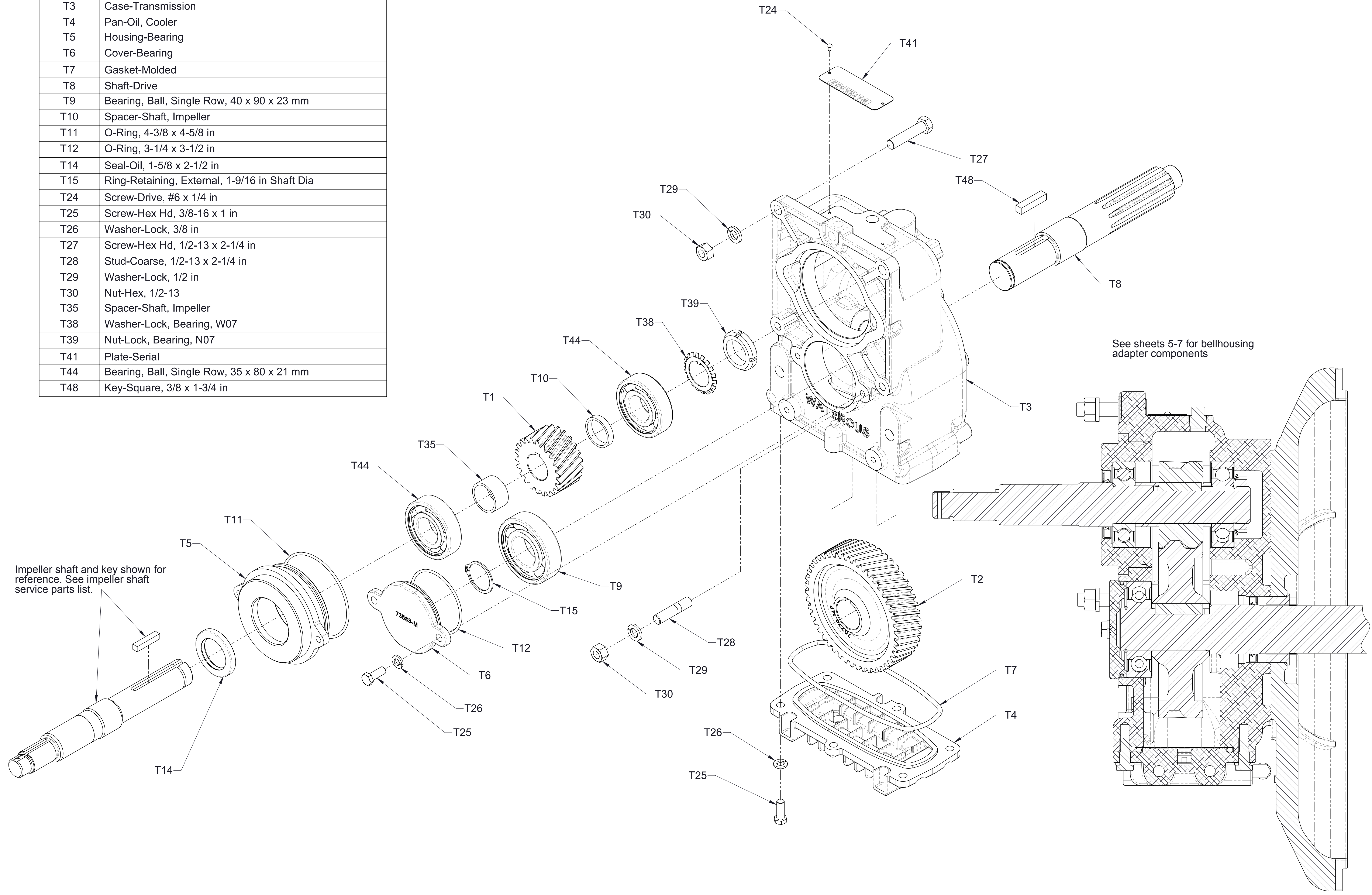


Ref No.	Description
T1	Gear-Driven
T2	Gear-Drive
T3	Case-Transmission
T3	Housing-Bearing
T4	Pan-Oil, Cooler
T6	Cover-Bearing
T7	Gasket-Molded
T8	Shaft-Drive
T9	Bearing, Ball, Single Row, 40 x 90 x 23 mm
T10	Spacer-Shaft, Impeller
T11	O-Ring, 4-3/8 x 4-5/8 in
T12	O-Ring, 3-1/4 x 3-1/2 in
T14	Seal-Oil, 1-5/8 x 2-1/2 in
T15	Ring-Retaining, External, 1-9/16 in Shaft Dia
T24	Screw-Drive, #6 x 1/4 in
T25	Screw-Hex Hd, 3/8-16 x 1 in
T26	Washer-Lock, 3/8 in
T27	Screw-Hex Hd, 1/2-13 x 2-1/4 in
T28	Stud-Coarse, 1/2-13 x 2-1/4 in
T29	Washer-Lock, 1/2 in
T30	Nut-Hex, 1/2-13
T38	Washer-Lock, Bearing, W07
T39	Nut-Lock, Bearing, N07
T41	Plate-Serial
T44	Bearing, Ball, Single Row, 35 x 80 x 21 mm
T45	Bearing, Ball, Double Row, 35 x 80 x 34.9 mm
T48	Key-Square, 3/8 x 1-3/4 in



**Transmission Assembly
One Piece Impeller Shaft
CXN, CXV**

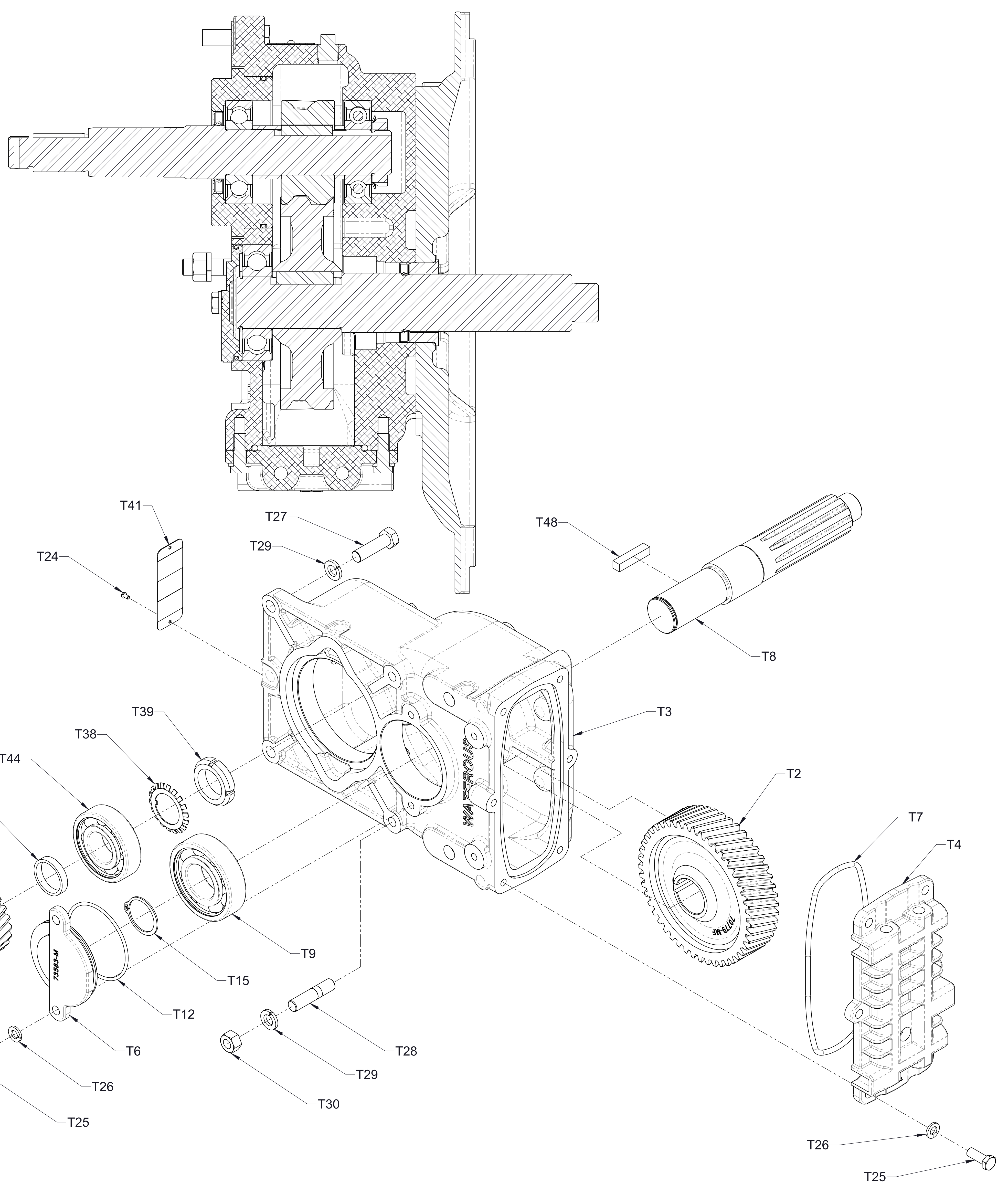
Ref No.	Description
T1	Gear-Driven
T2	Gear-Drive
T3	Case-Transmission
T4	Pan-Oil, Cooler
T5	Housing-Bearing
T6	Cover-Bearing
T7	Gasket-Molded
T8	Shaft-Drive
T9	Bearing, Ball, Single Row, 40 x 90 x 23 mm
T10	Spacer-Shaft, Impeller
T11	O-Ring, 4-3/8 x 4-5/8 in
T12	O-Ring, 3-1/4 x 3-1/2 in
T14	Seal-Oil, 1-5/8 x 2-1/2 in
T15	Ring-Retaining, External, 1-9/16 in Shaft Dia
T24	Screw-Drive, #6 x 1/4 in
T25	Screw-Hex Hd, 3/8-16 x 1 in
T26	Washer-Lock, 3/8 in
T27	Screw-Hex Hd, 1/2-13 x 2-1/4 in
T28	Stud-Coarse, 1/2-13 x 2-1/4 in
T29	Washer-Lock, 1/2 in
T30	Nut-Hex, 1/2-13
T35	Spacer-Shaft, Impeller
T38	Washer-Lock, Bearing, W07
T39	Nut-Lock, Bearing, N07
T41	Plate-Serial
T44	Bearing, Ball, Single Row, 35 x 80 x 21 mm
T48	Key-Square, 3/8 x 1-3/4 in



Impeller shaft and key shown for reference. See impeller shaft service parts list.

**Transmission Assembly
One Piece Impeller Shaft
CGV, CGVR**

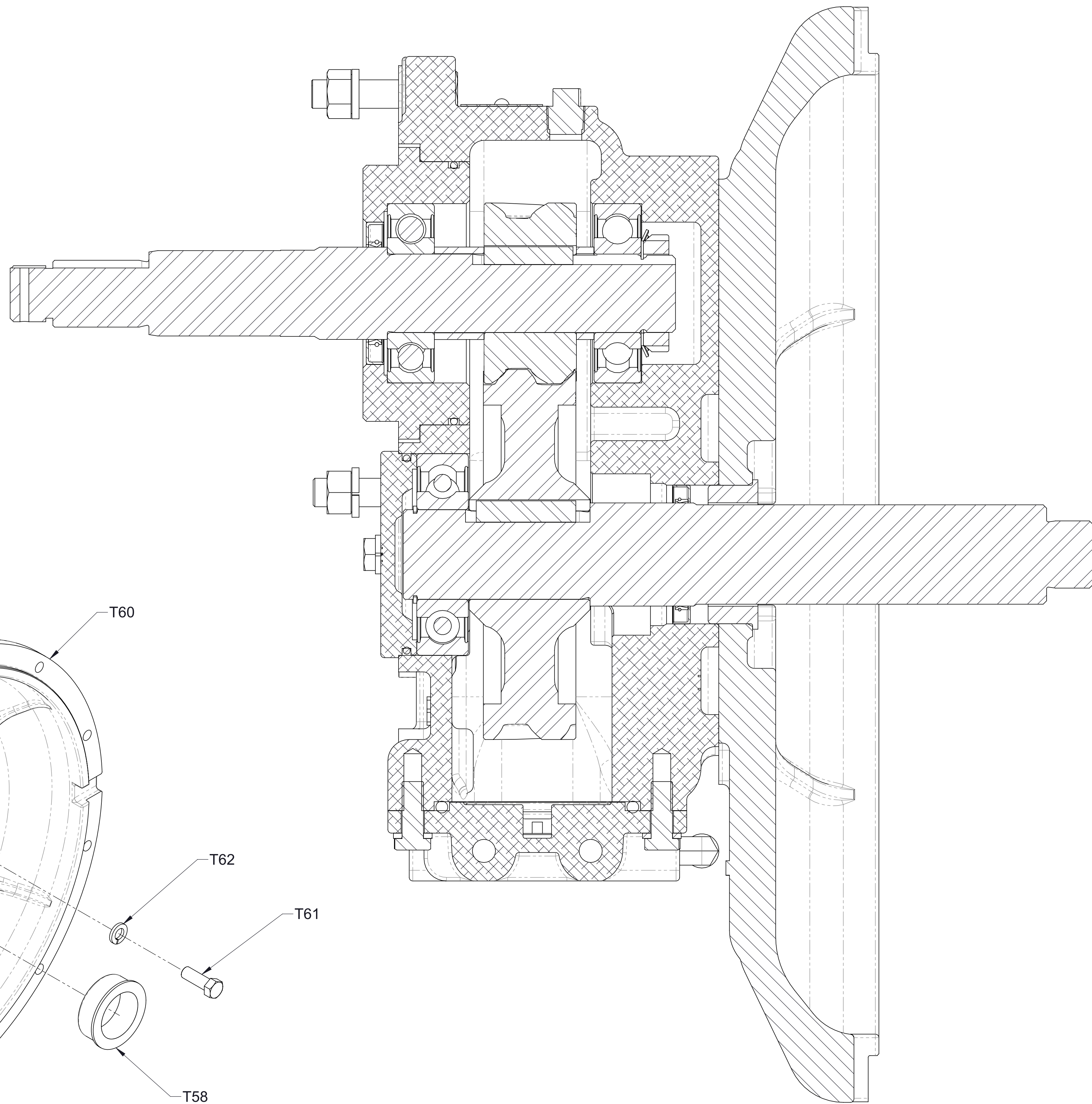
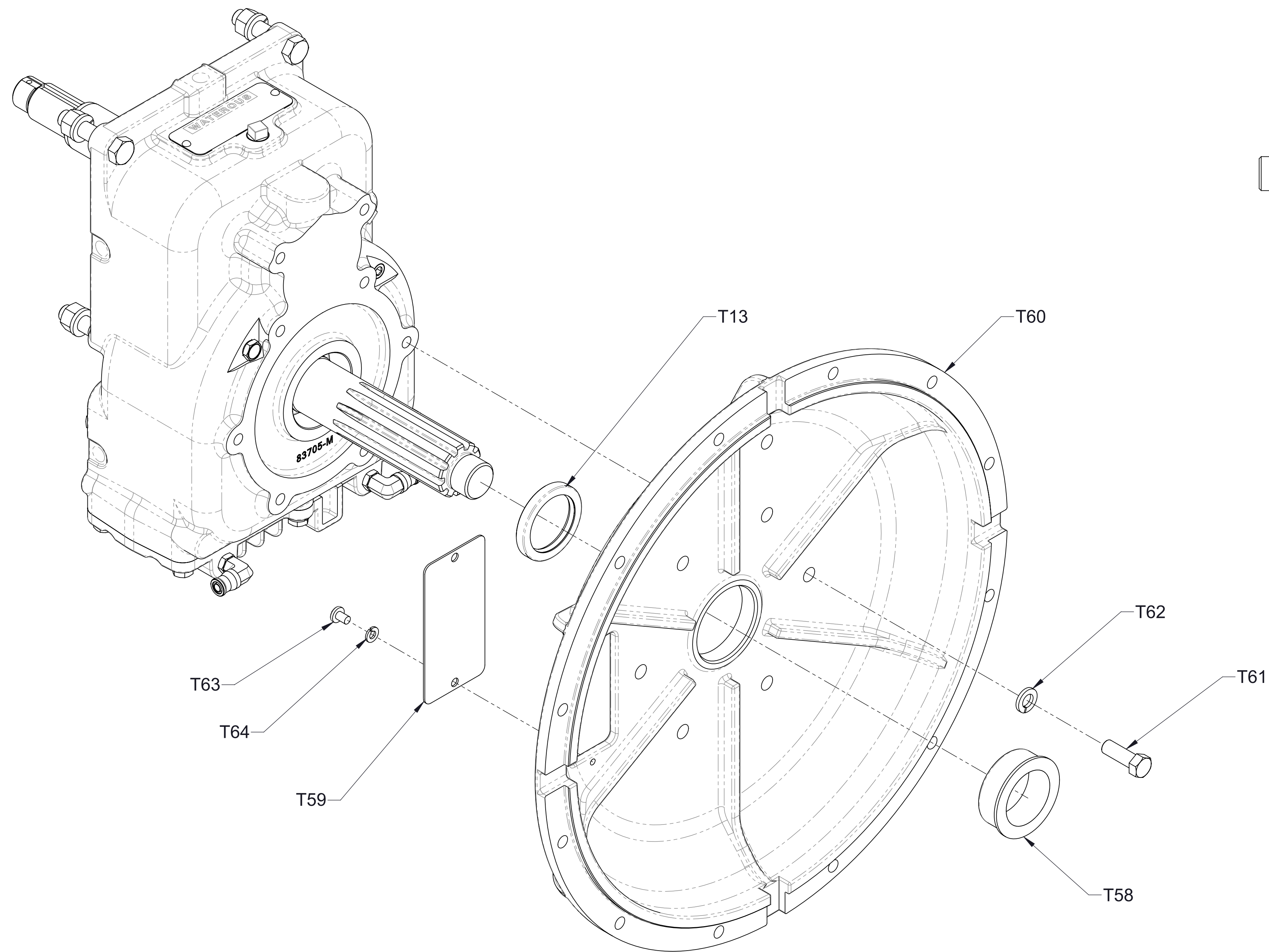
Ref No.	Description
T1	Gear-Driven
T2	Gear-Drive
T3	Case-Transmission
T4	Pan-Oil, Cooler
T5	Housing-Bearing
T6	Cover-Bearing
T7	Gasket-Molded
T8	Shaft-Drive, SAE 3-4
T9	Bearing, Ball, Single Row, 40 x 90 x 23 mm
T10	Spacer-Shaft, Impeller
T11	O-Ring, 4-3/8 x 4-5/8 in
T12	O-Ring, 3-1/4 x 3-1/2 in
T14	Seal-Oil, 1-5/8 x 2-1/2 in
T15	Ring-Retaining, External, 1-9/16 in Shaft Dia
T24	Screw-Drive, #6 x 1/4 in
T25	Screw-Hex Hd, 3/8-16 x 1 in
T26	Washer-Lock, 3/8 in
T27	Screw-Hex Hd, 1/2-13 x 1-3/4 in
T28	Stud-Coarse, 1/2-13 x 2-1/4 in
T29	Washer-Lock, 1/2 in
T30	Nut-Hex, 1/2-13
T35	Spacer-Shaft, Impeller
T38	Washer-Lock, Bearing, W07
T39	Nut-Lock, Bearing, N07
T41	Plate-Serial
T44	Bearing, Ball, Single Row, 35 x 80 x 21 mm
T48	Key-Square, 3/8 x 1-3/4 in



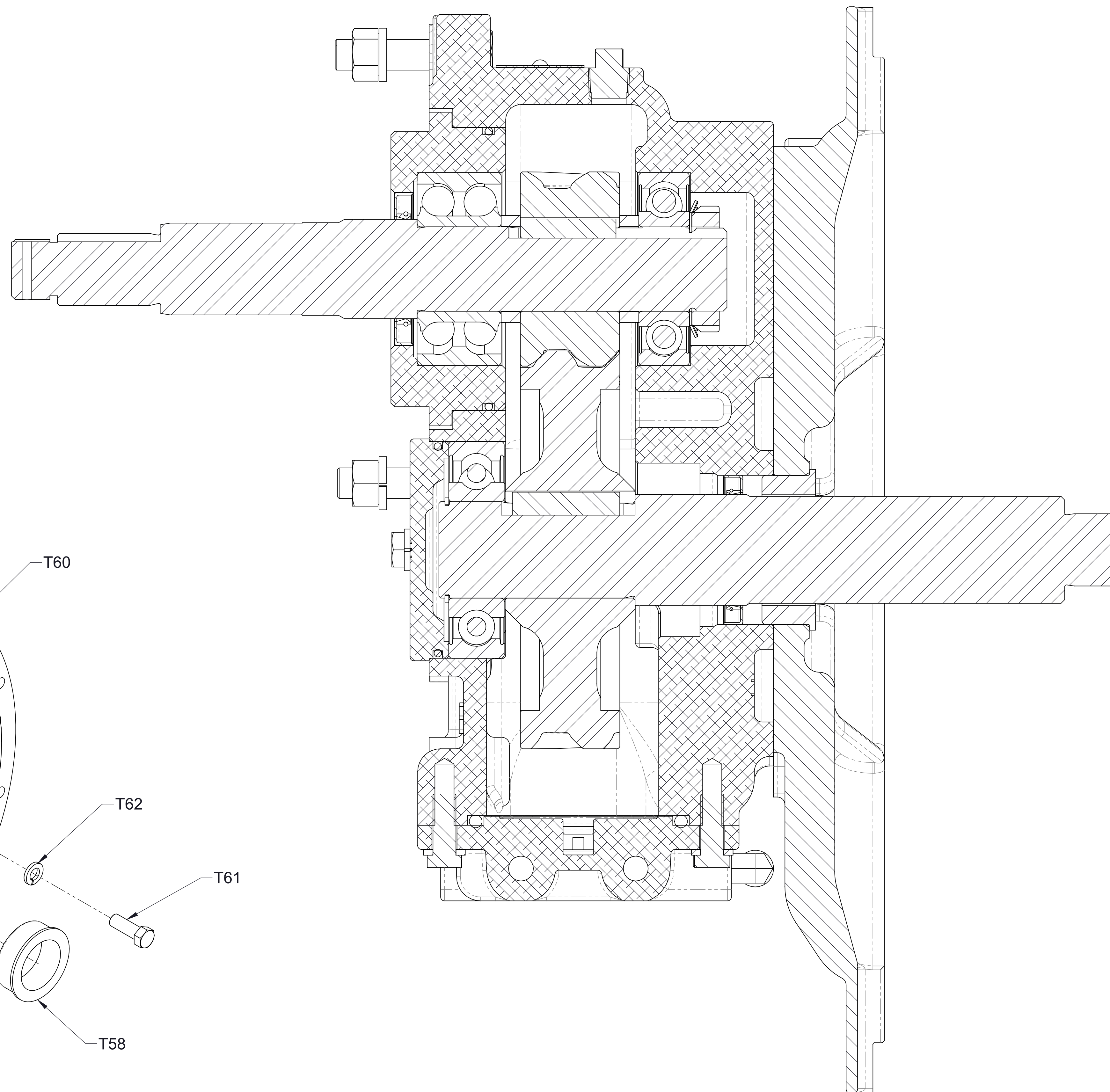
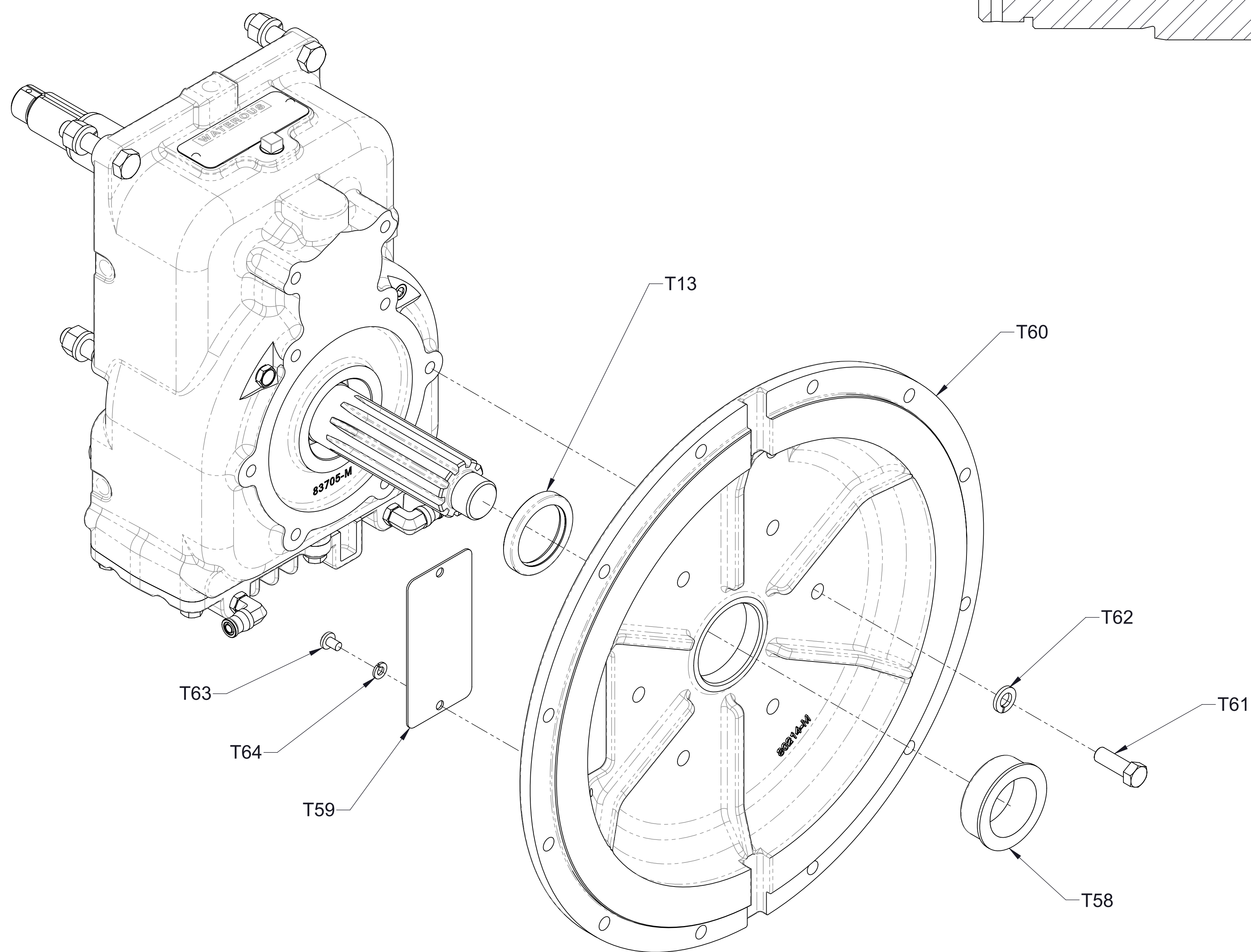
Impeller shaft and key shown for reference. See impeller shaft service parts list.

**Transmission Assembly
One Piece Impeller Shaft
RF600**

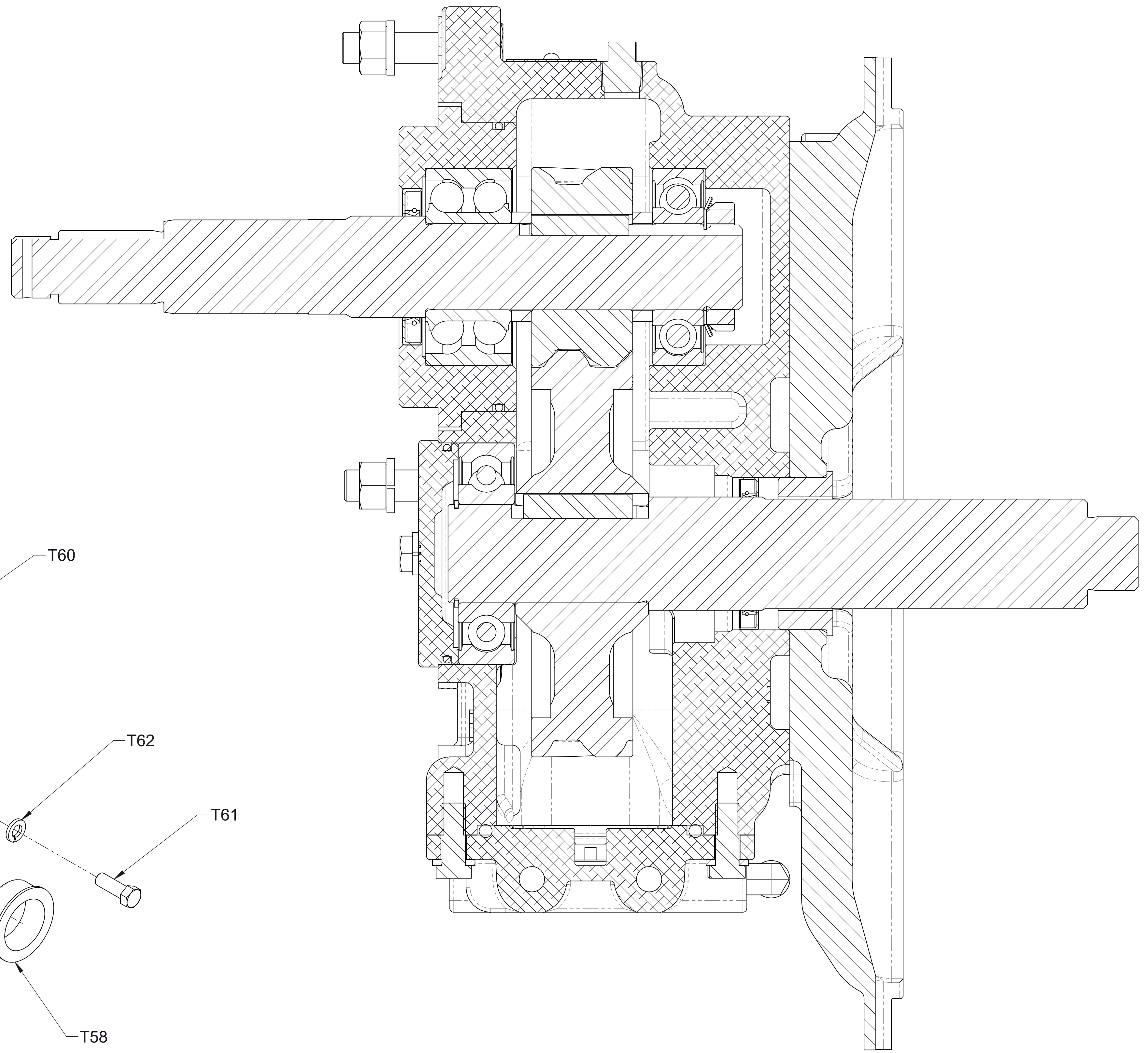
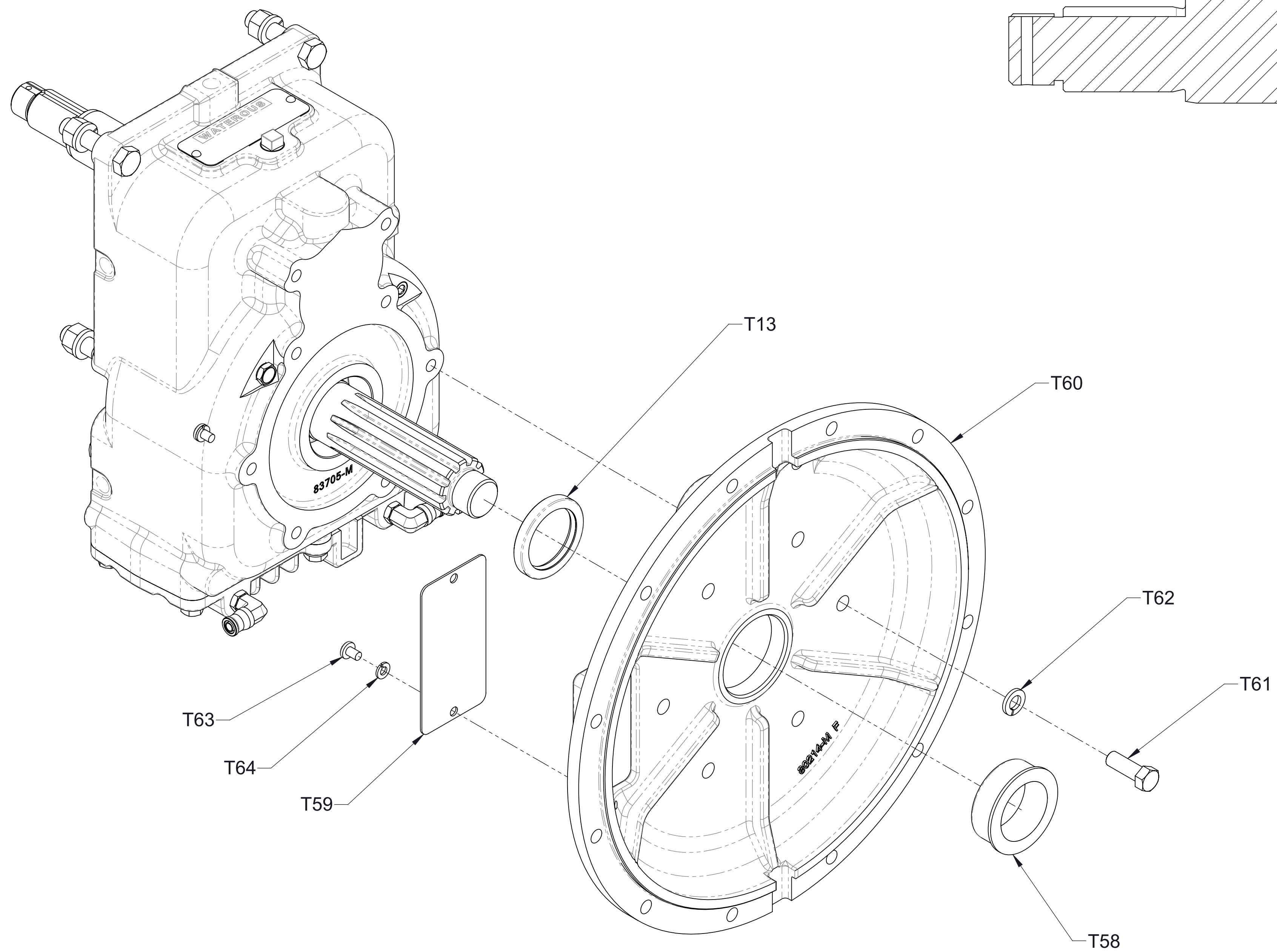
Ref No.	Description
T13	Seal-Oil, 1-13/16 x 2-7/16 in
T58	Bushing-Bellhousing Adapter
T59	Cover-Access Port
T60	Adapter-Bellhousing (SAE #2)
T61	Screw-Hex Hd, 7/16-14 x 1-1/4 in
T62	Washer-Lock, 7/16 in
T63	Screw-Machine, Pan Hd, 1/4-20 x 3/8 in
T64	Washer-Lock, 1/4 in



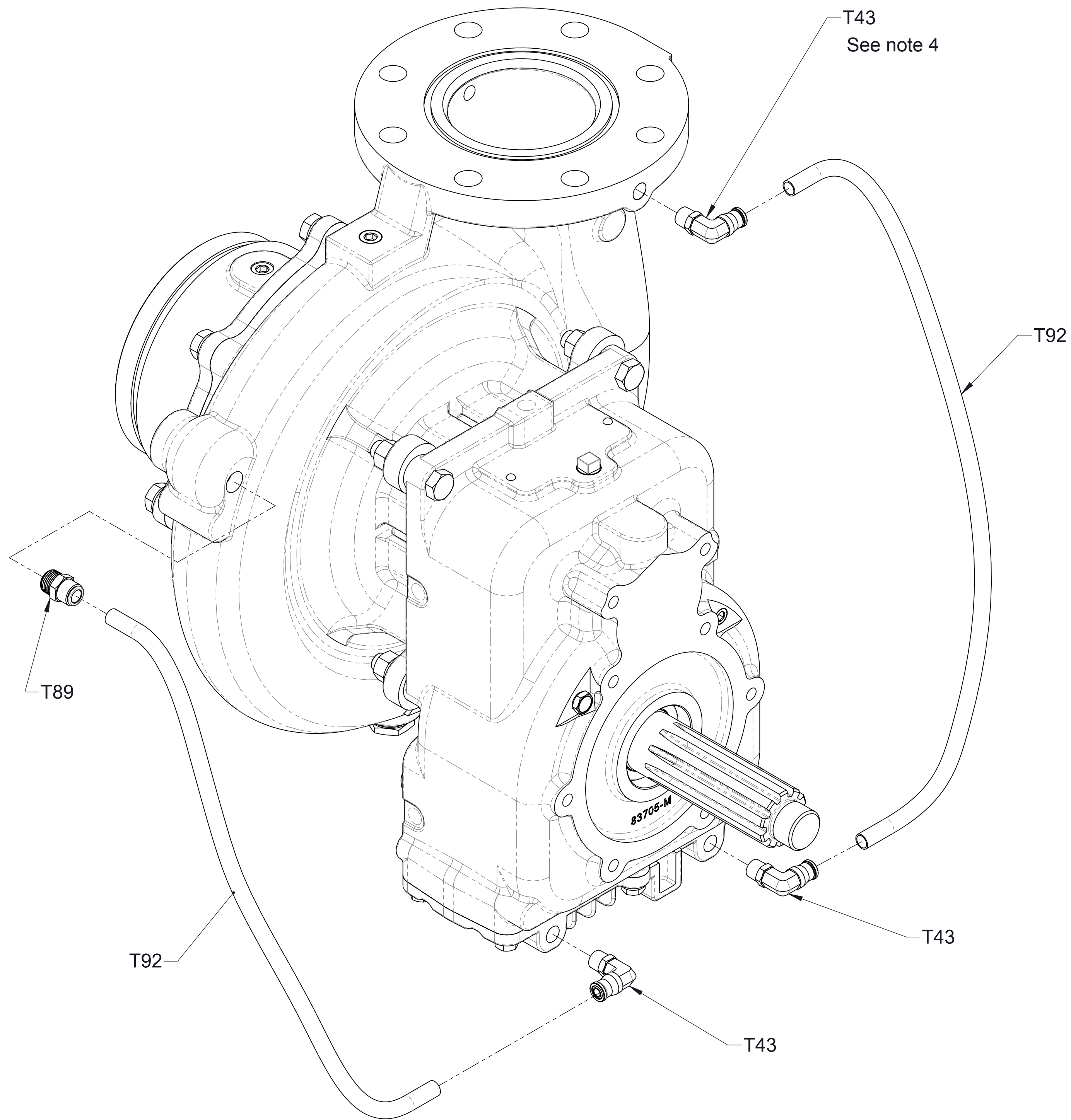
Ref No.	Description
T13	Seal-Oil, 1-13/16 x 2-7/16 in
T58	Bushing-Bellhousing Adapter
T59	Cover-Access Port
T60	Adapter-Bellhousing, SAE 3
T61	Screw-Hex Hd, 7/16-14 x 1-1/4 in
T62	Washer-Lock, 7/16 in
T63	Screw-Machine, Pan Hd, 1/4-20 x 3/8 in
T64	Washer-Lock, 1/4 in



Ref No.	Description
T13	Seal-Oil, 1-13/16 x 2-7/16 in
T58	Bushing-Bellhousing Adapter
T59	Cover-Access Port
T60	Adapter-Bellhousing, SAE 4
T61	Screw-Hex Hd, 7/16-14 x 1-1/4 in
T62	Washer-Lock, 7/16 in
T63	Screw-Machine, Pan Hd, 1/4-20 x 3/8 in
T64	Washer-Lock, 1/4 in



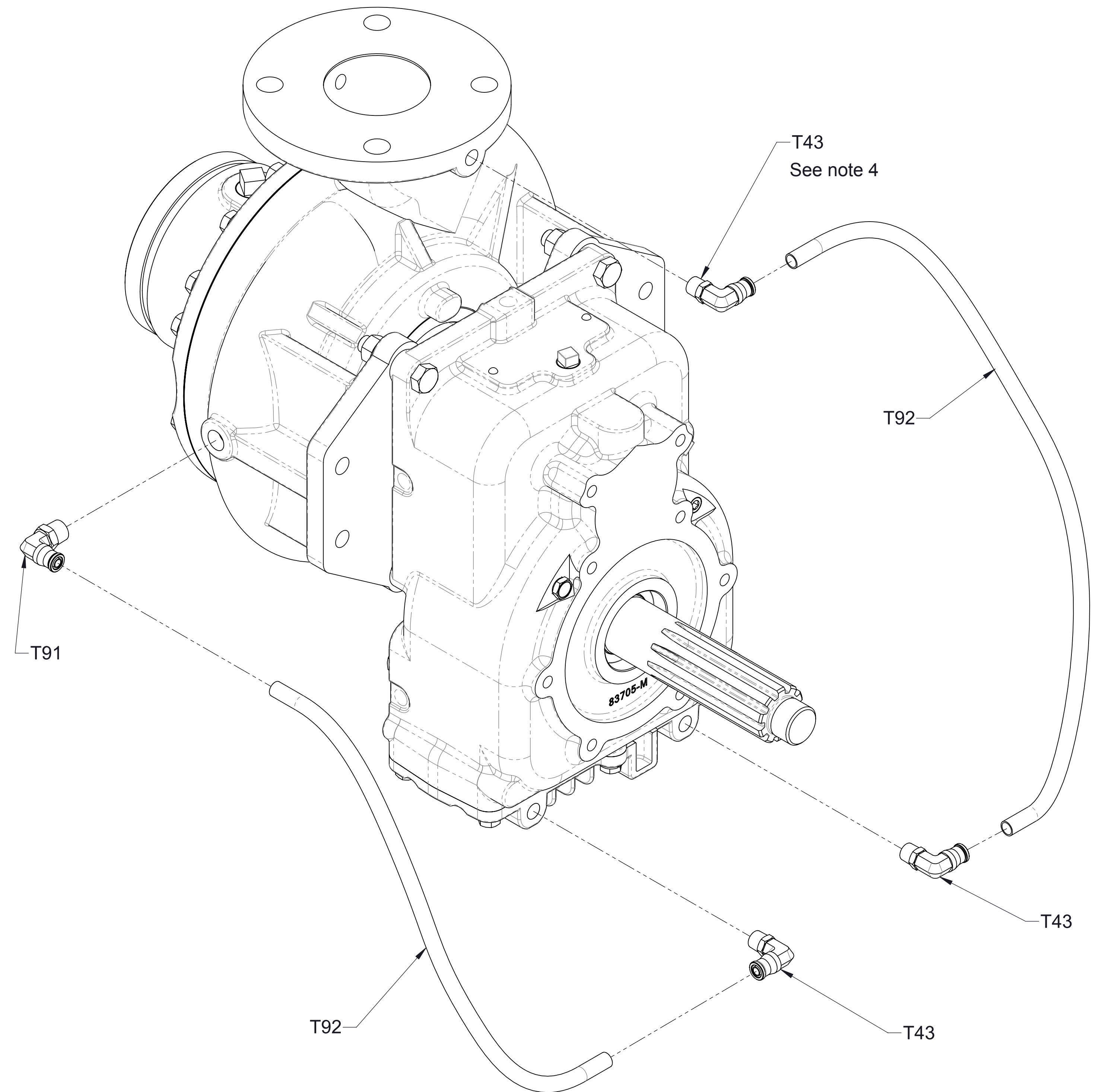
Ref No.	Description
T43	Fitting-Elbow, 3/8 PTC X 1/4 MNPT, 90°
T89	Fitting, 3/8 PTC x 3/8 MPT
T92	Tubing, 3/8, Green



- Notes:
1. CW input, vertical transmission, discharge UP shown.
 2. Tubing to be cut to required length depending on input rotation and pump/transmission orientation.
 3. Route hoses so water drains either through pump or oil cooler
 4. Elbow on discharge flange may need to be mounted on opposite side of flange if there is interference with the transmission in certain configurations.

**Oil Cooler Lines and Fittings
CXN, CXV**

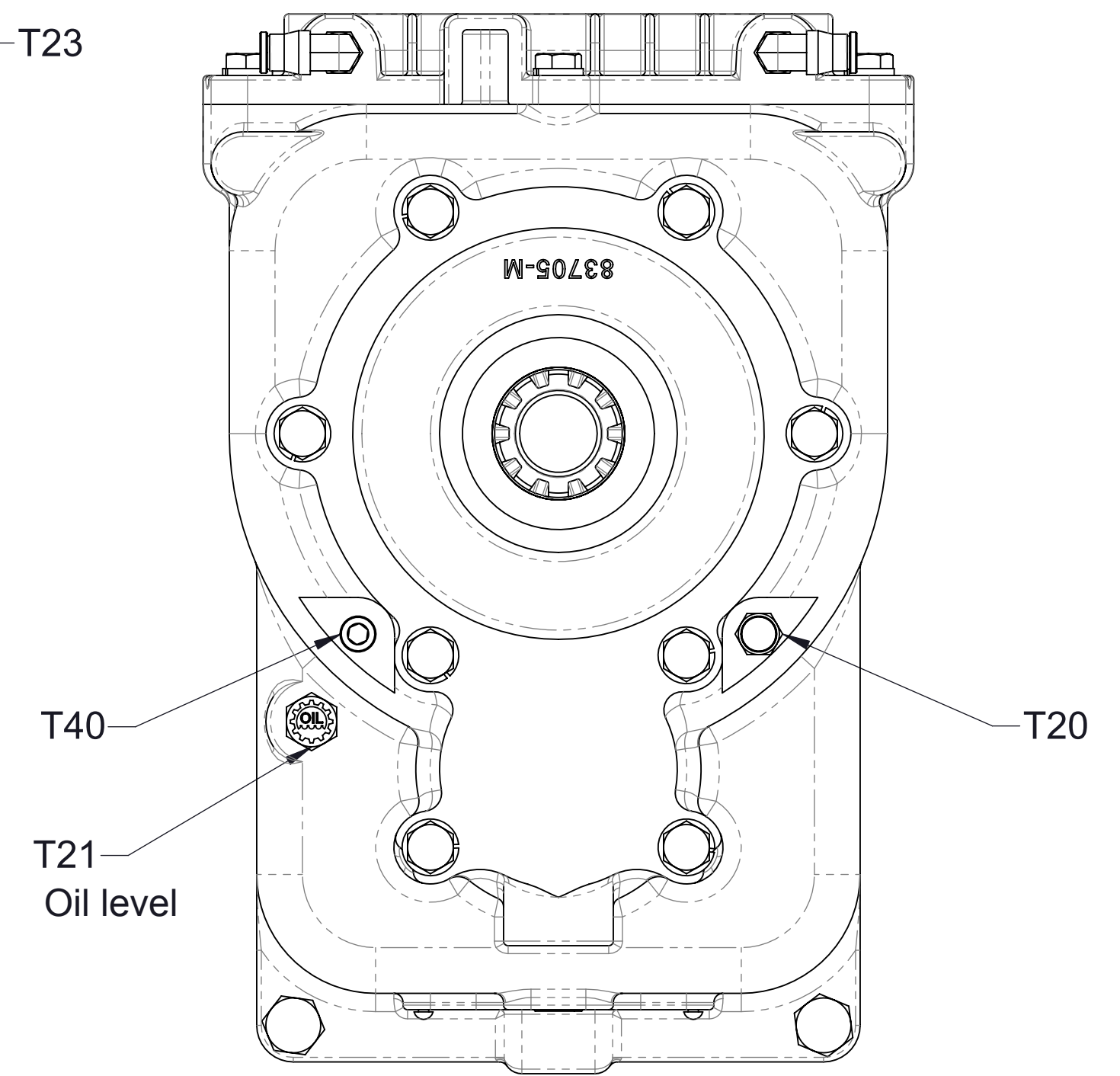
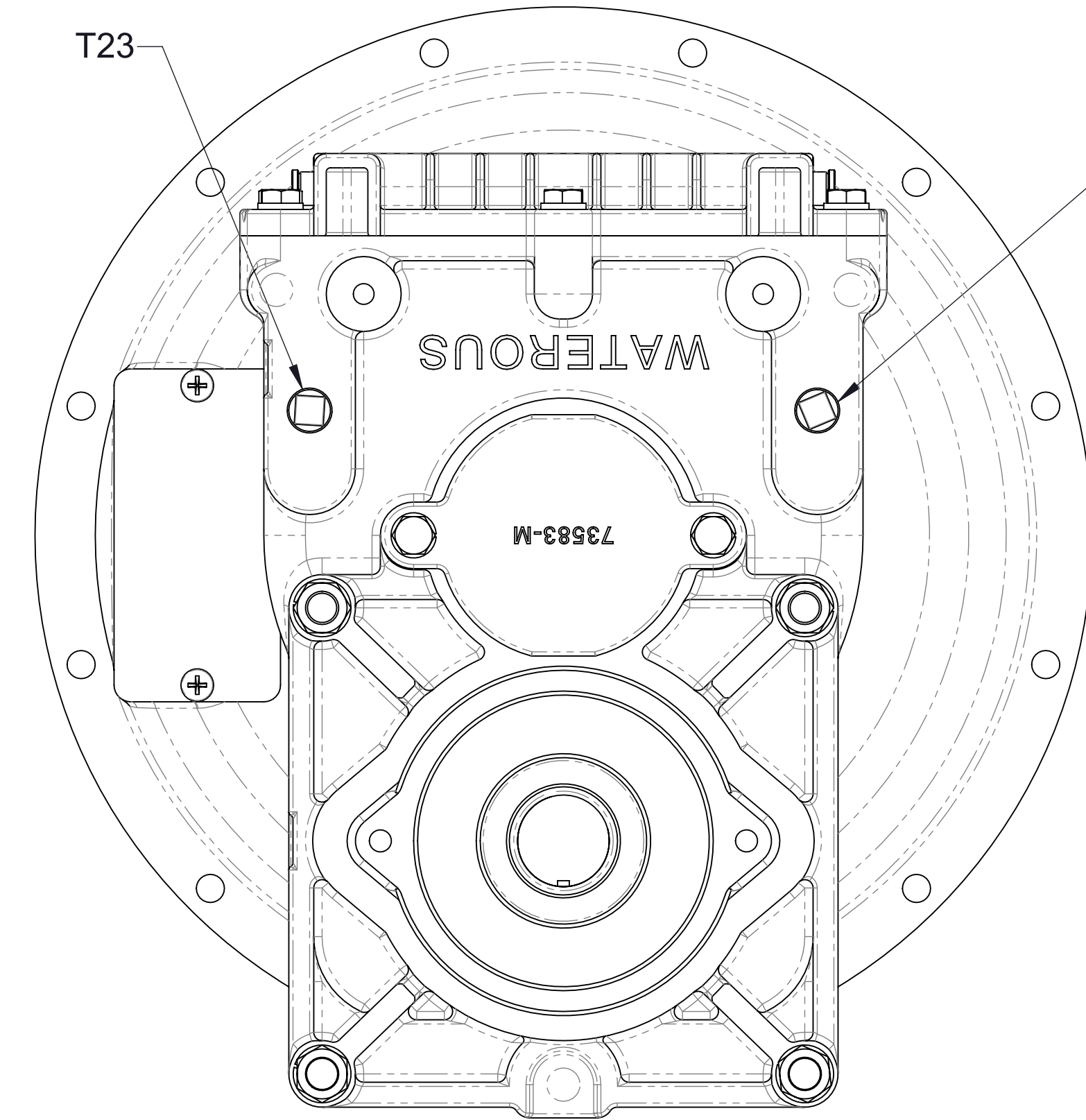
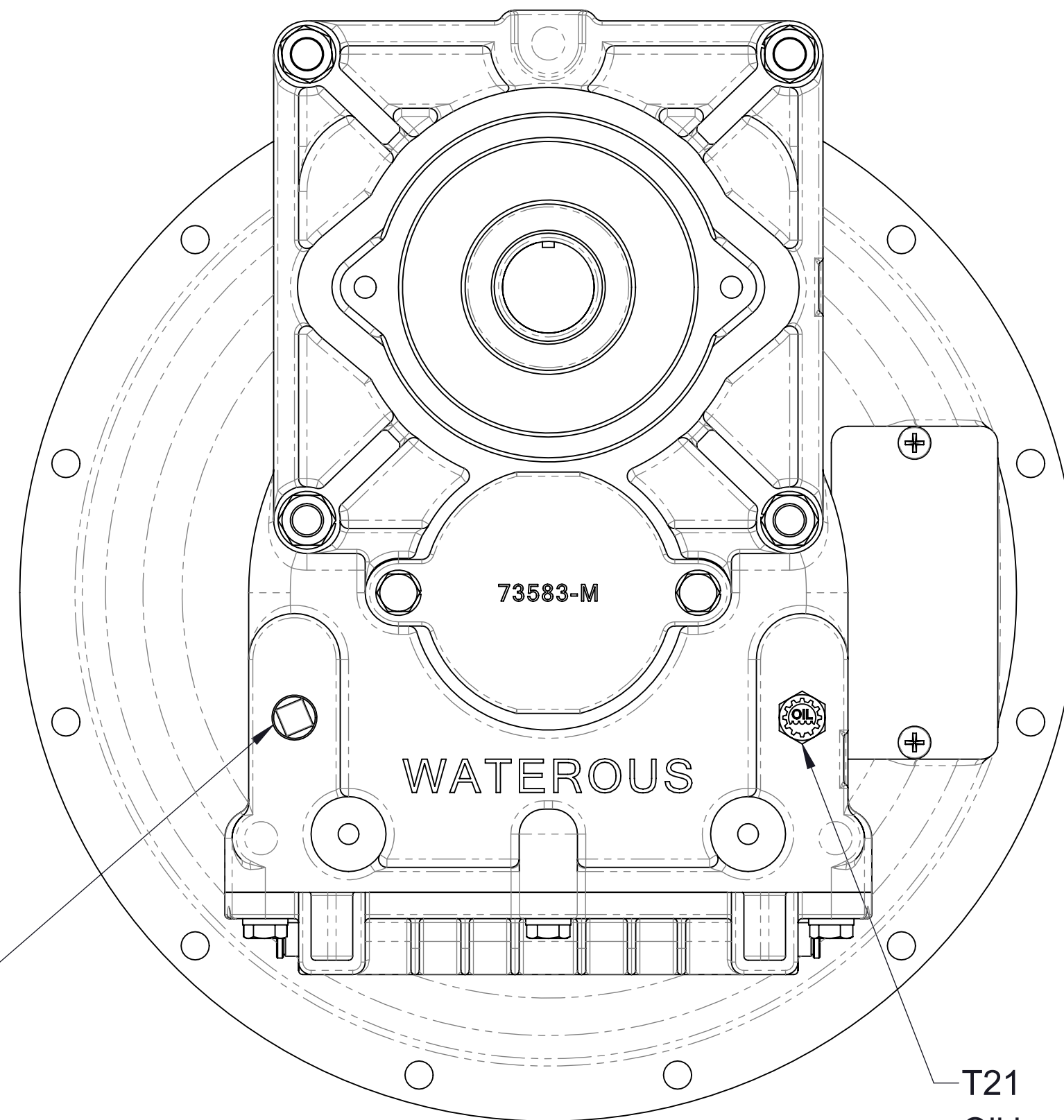
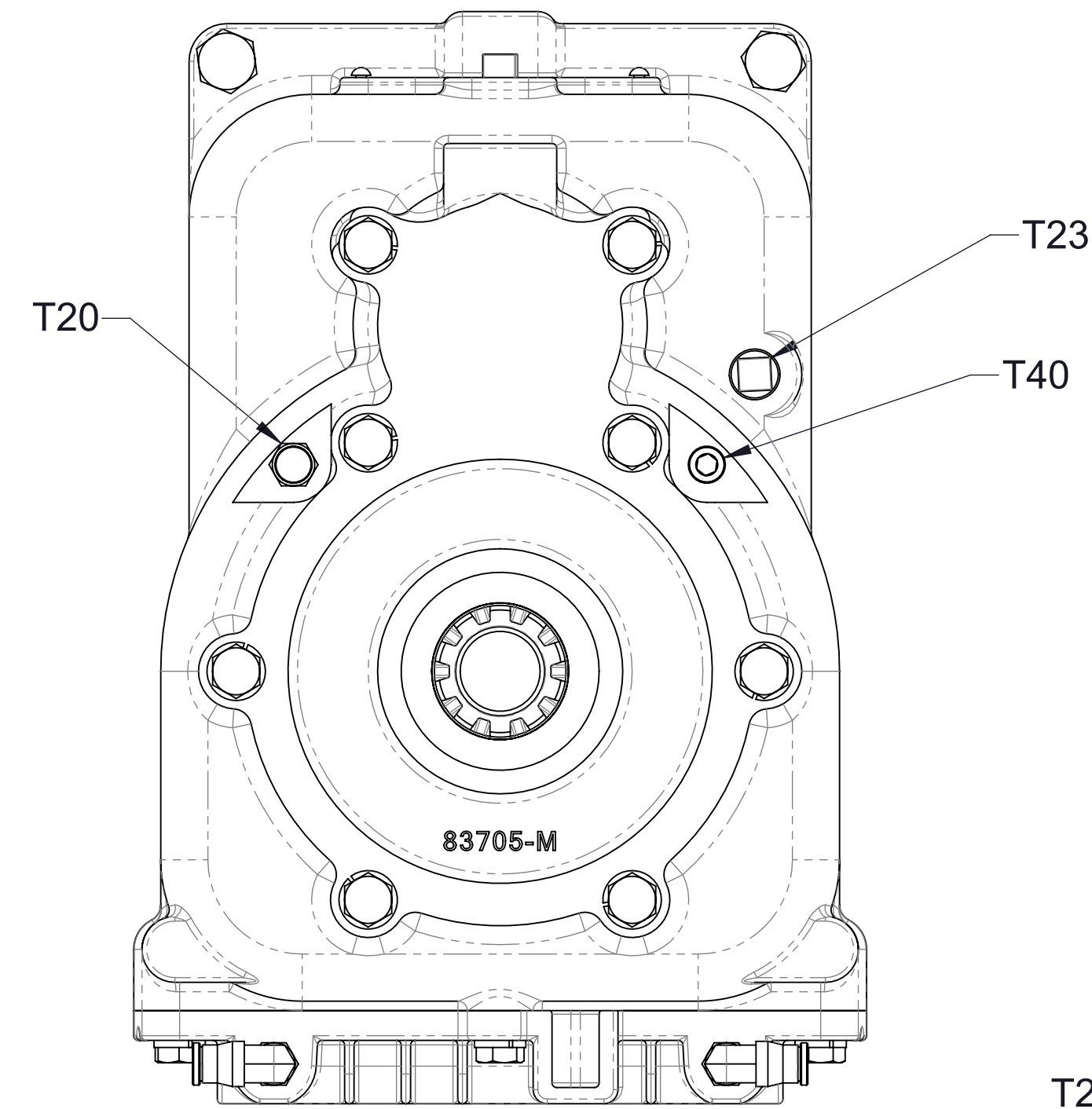
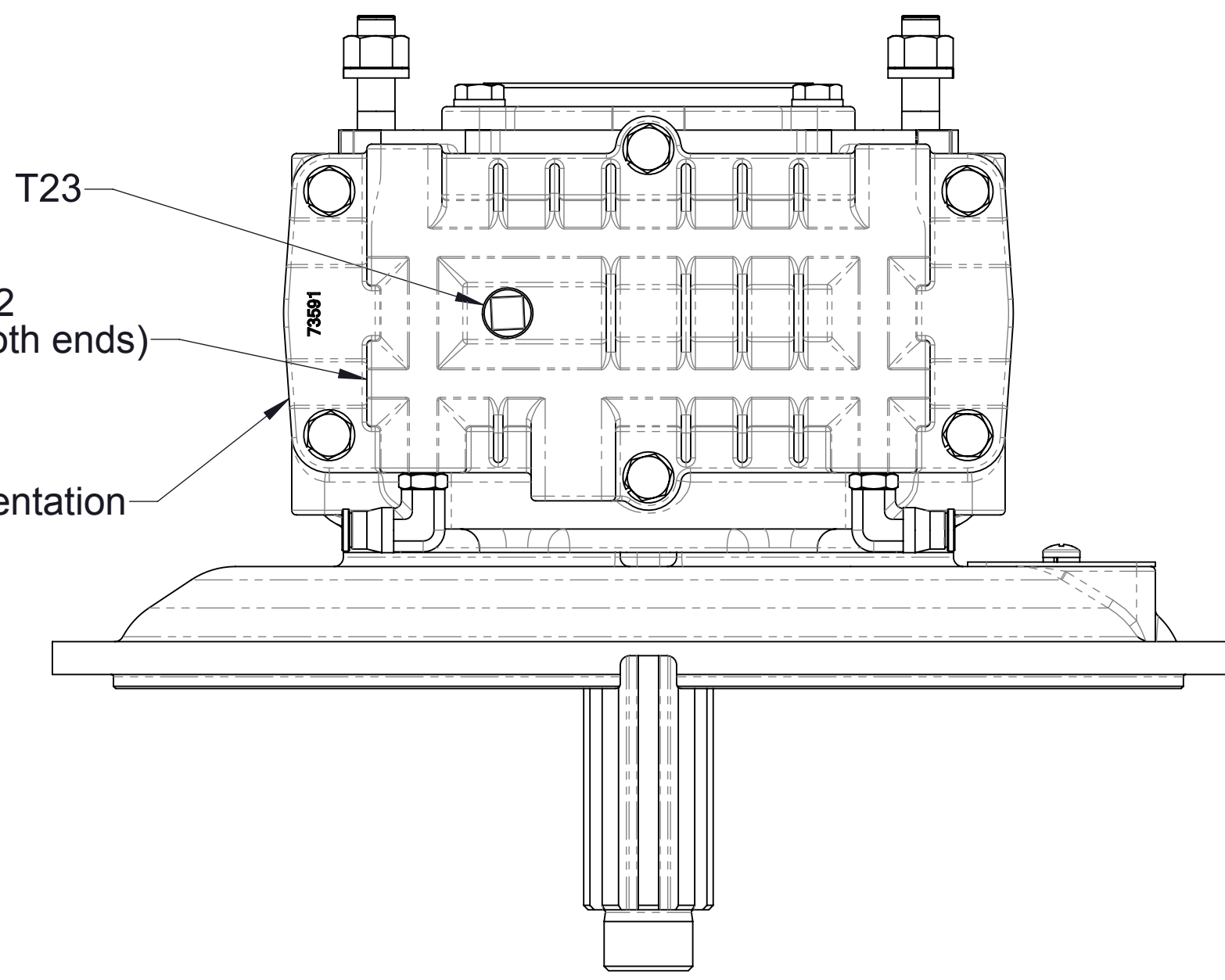
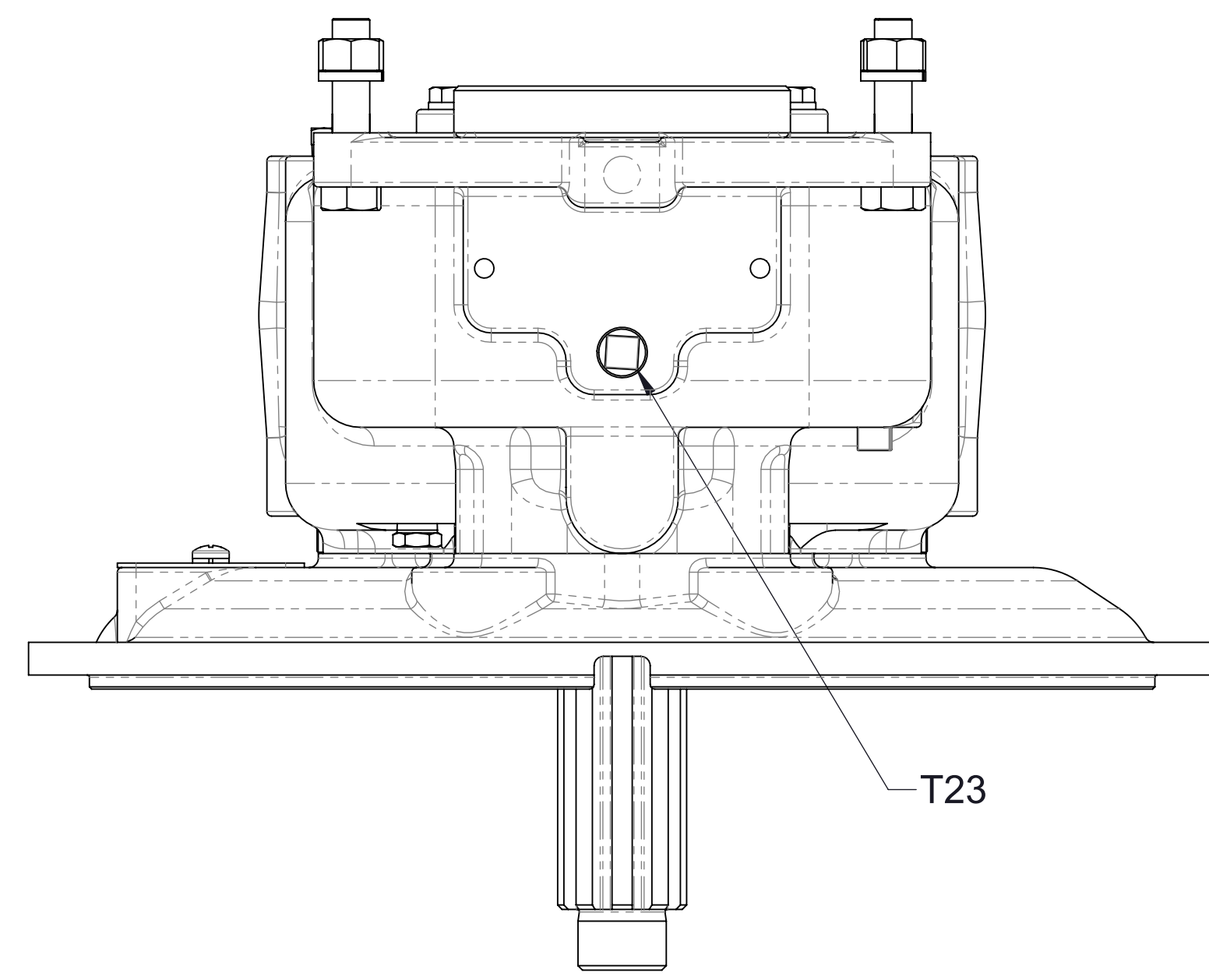
Ref No.	Description
T43	Fitting-Elbow, 3/8 PTC X 1/4 MNPT, 90°
T91	Fitting-Elbow, 3/8 PTC X 3/8 MNPT, 90°
T92	Tubing, 3/8, Green



- Notes:
1. CW input, vertical transmission, discharge UP shown.
 2. Tubing to be cut to required length depending on input rotation and pump/transmission orientation.
 3. Route hoses so water drains either through pump or oil cooler
 4. Elbow on discharge flange may be mounted on opposite side of flange if it provides a better hose route depending on the pump and transmission configurations.

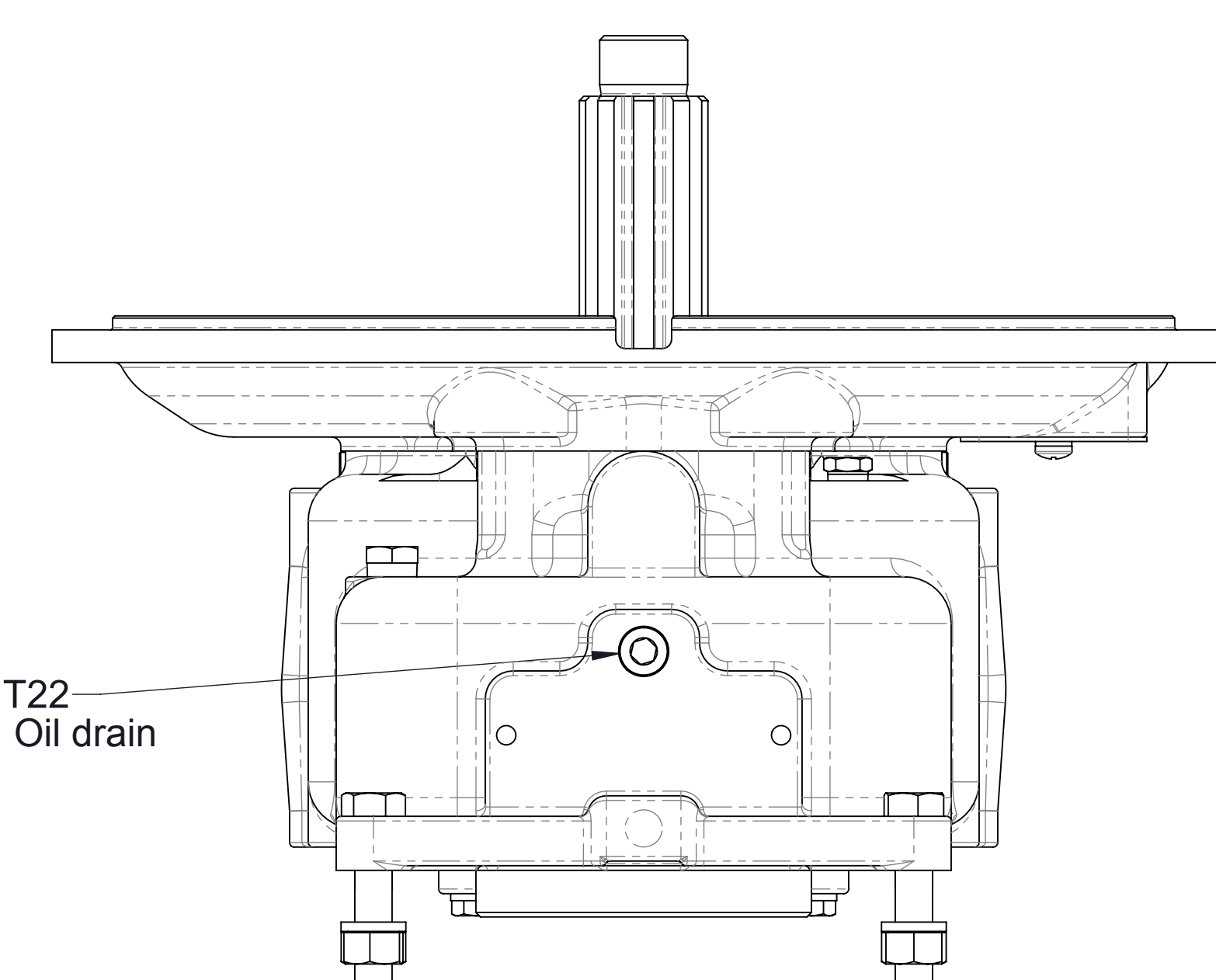
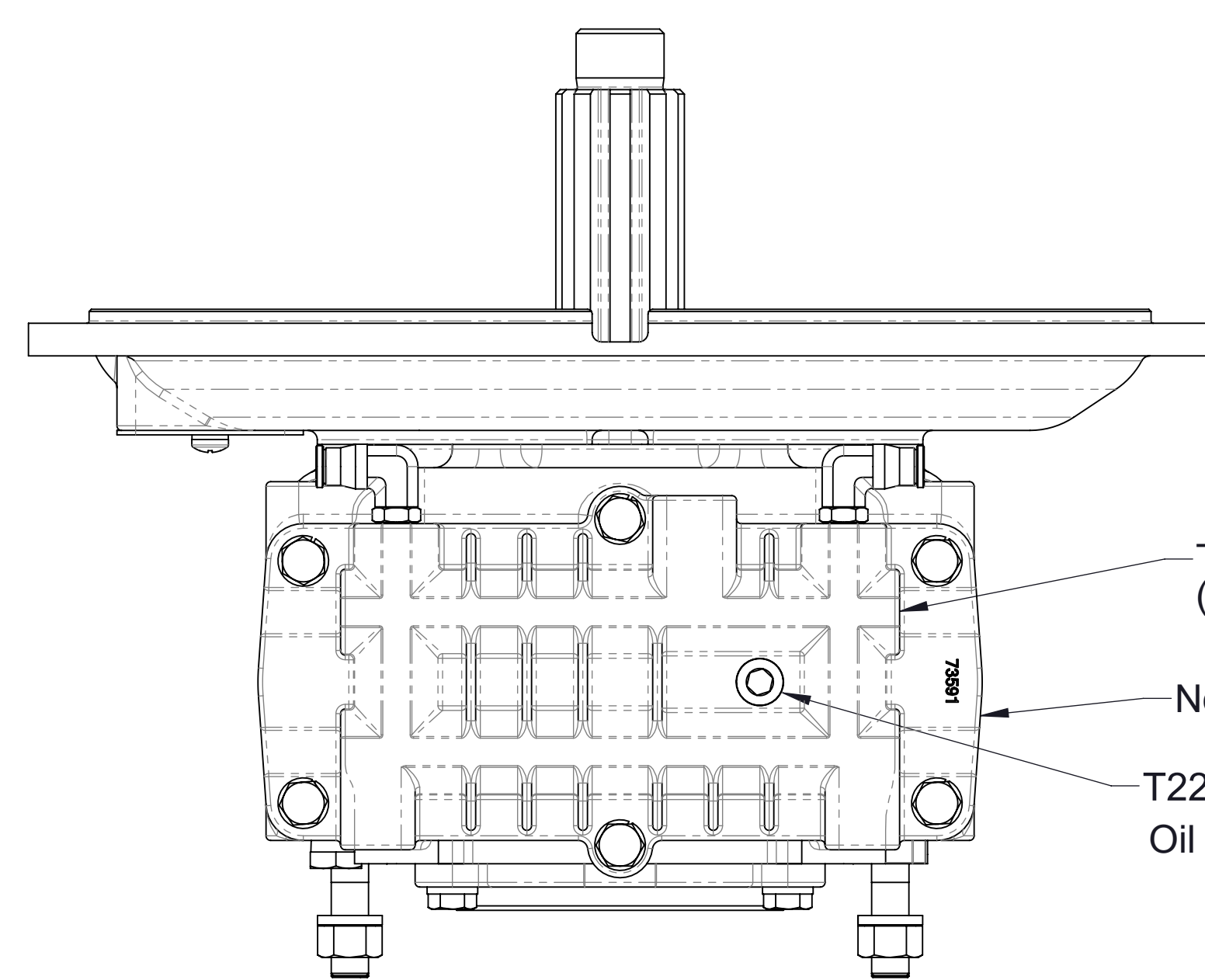
**Oil Cooler Lines and Fittings
CGV, CGVR**

Ref No.	Description
T20	Breather, 1/4 NPT
T21	Plug-Level, Oil, 3/8
T22	Plug-Drain, Magnetic, 3/8, Headless
T23	Plug-Pipe, Square Hd, 3/8 NPT
T40	Plug-Pipe, Headless, 1/4 NPT
T42	Plug-Pipe, Headless, 1/4 NPT



Bellhousing adapter removed for clarity

Bellhousing adapter removed for clarity

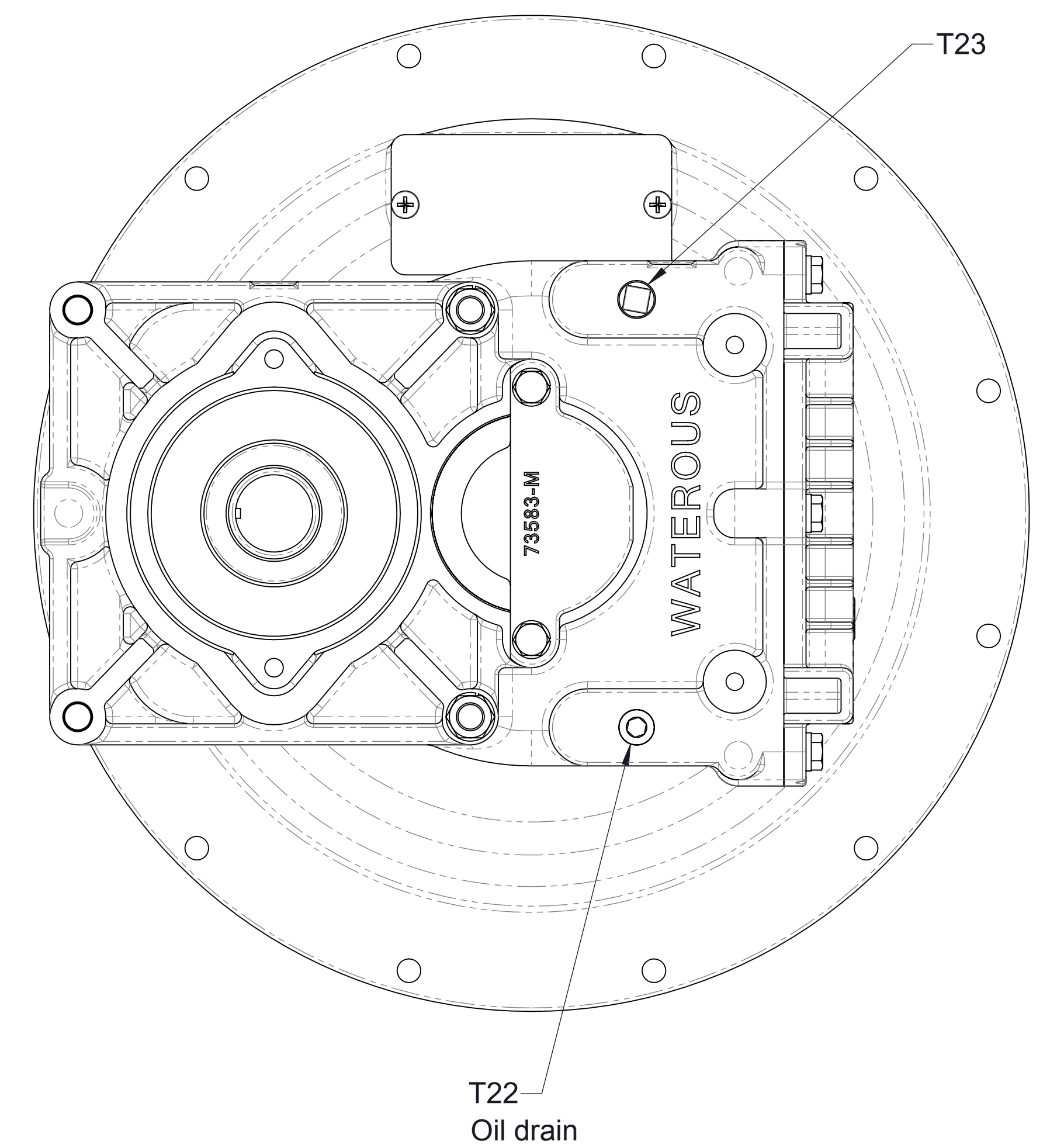
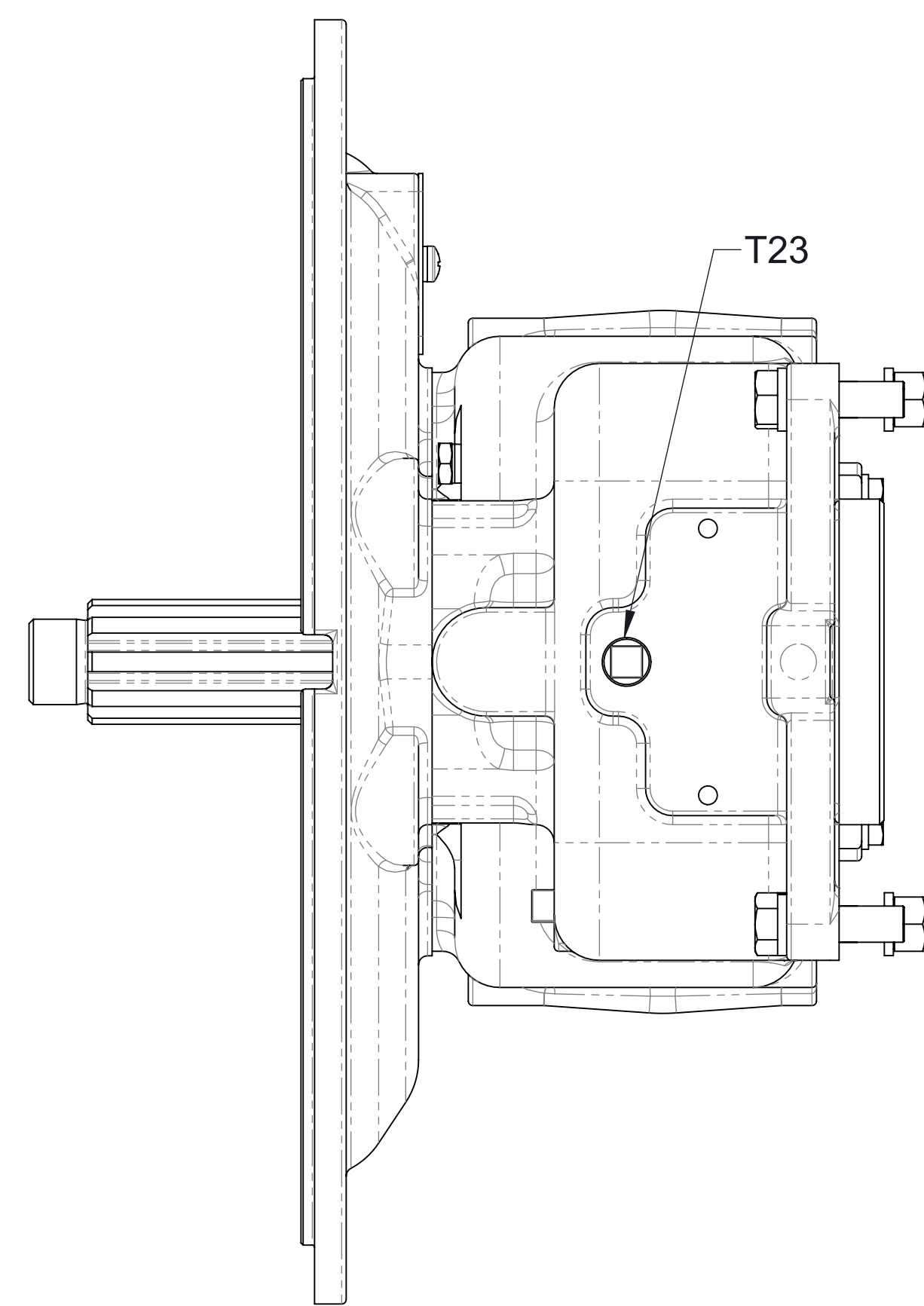
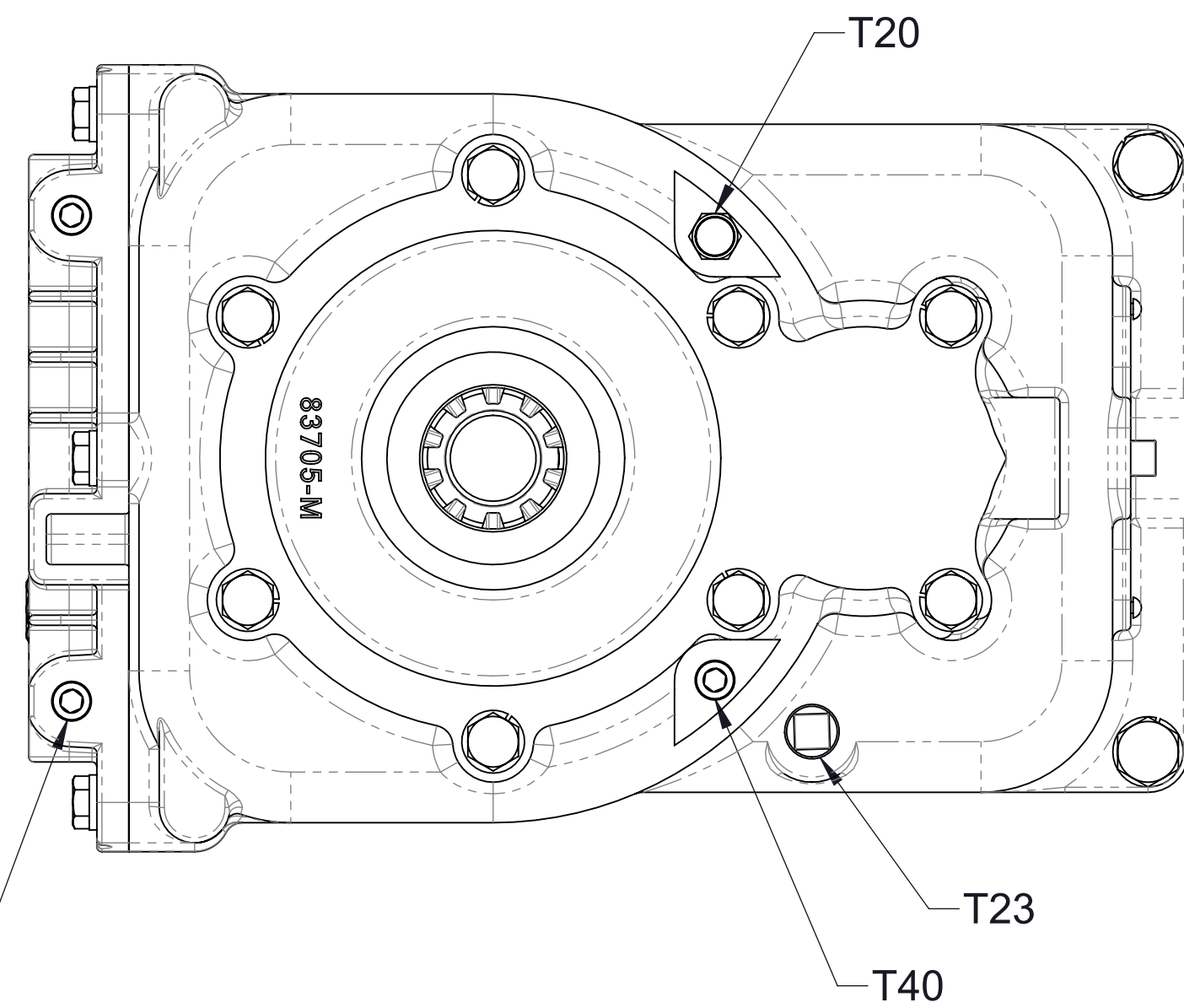
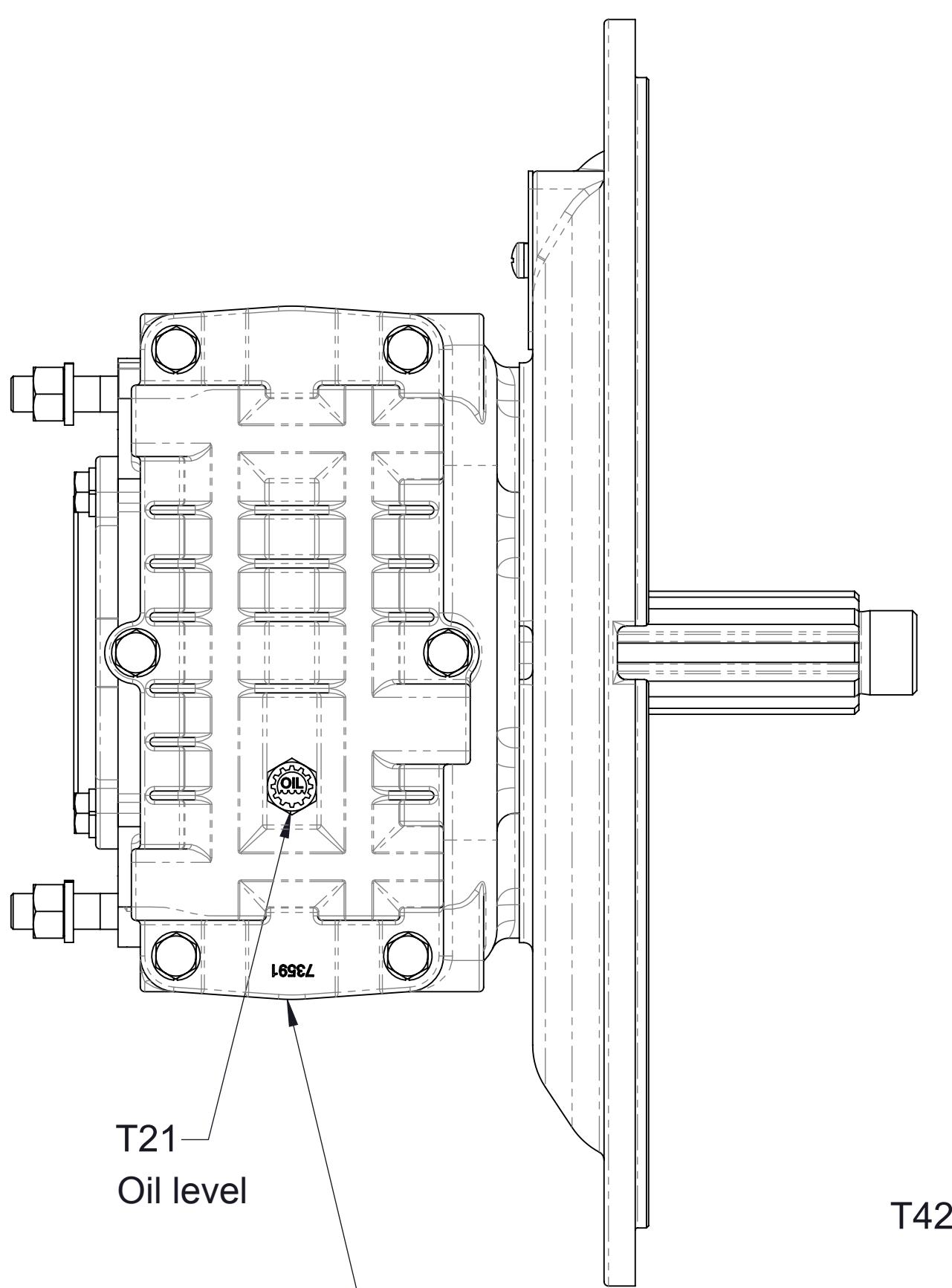
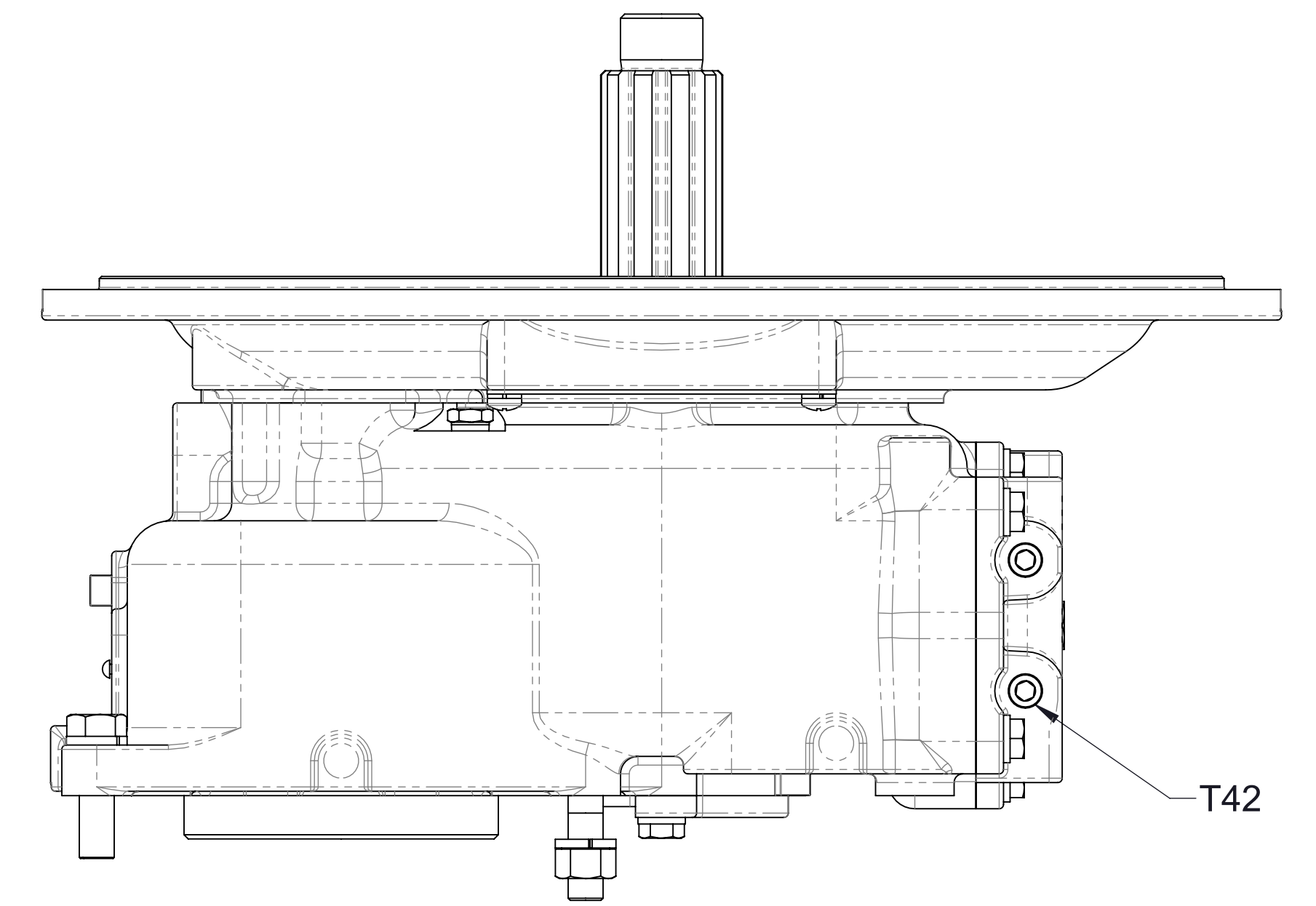


Vertical

Inverted

**Breather, Drain, Oil Level, Plug, and Cooler Elbow Locations
Vertical and Inverted Mounting Positions
(CXN, CXV, CGV, CGVR)**

Ref No.	Description
T20	Breather, 1/4 NPT
T21	Plug-Level, Oil, 3/8
T22	Plug-Drain, Magnetic, 3/8, Headless
T23	Plug-Pipe, Square Hd, 3/8 NPT
T40	Plug-Pipe, Headless, 1/4 NPT
T42	Plug-Pipe, Headless, 1/4 NPT



**Breather, Drain, Oil Level, and Plug Locations
Left Mounting Position
(RF600)**