



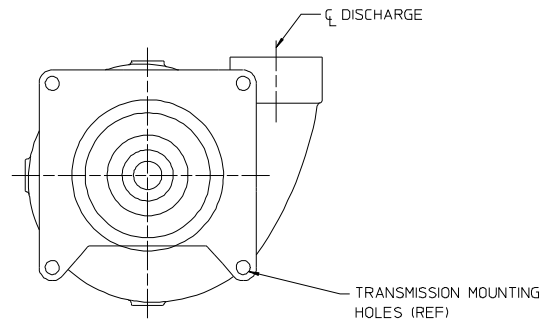
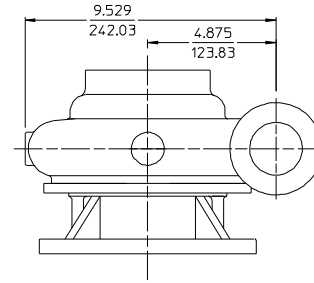
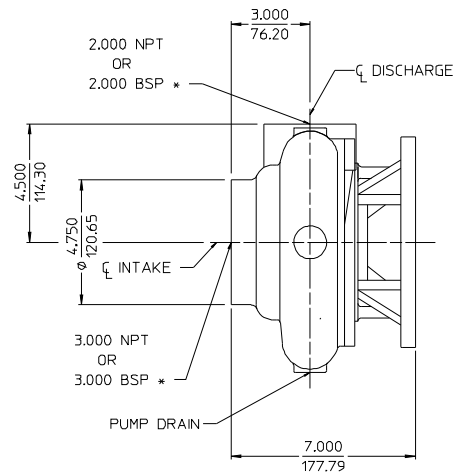
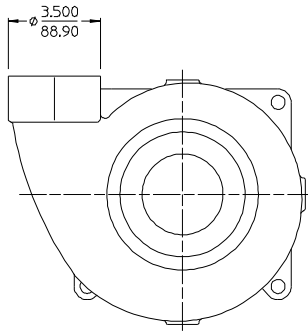
Document Number DPL80202	Issue Date 04/16/62	Rev. Date 7/19/18
------------------------------------	-------------------------------	-----------------------------

Dimensional Drawings for CP-2 Series Fire Pumps

Basic Pump			Drive		Pump Model	See Page				
Series	Intake		Transmission Model	Input Rotation <i>(1)</i>		Basic Pump Dimensions	Pump and Transmission	Pump Discharge Positions	Transmission Mounting Positions	Ordering Info.
	Type	Size								
CP-2	NPT or BSP (F)	3 in.	K Series Two Gear Increaser (No Clutch)	CW or CCW	CPK-2	2	3	5		
			T Series Two Gear Increaser, Direct Engine Mount	CW or CCW	CPK-2	2	4			

Note:

- 1) Input rotation is viewed looking directly at the transmission input shaft.

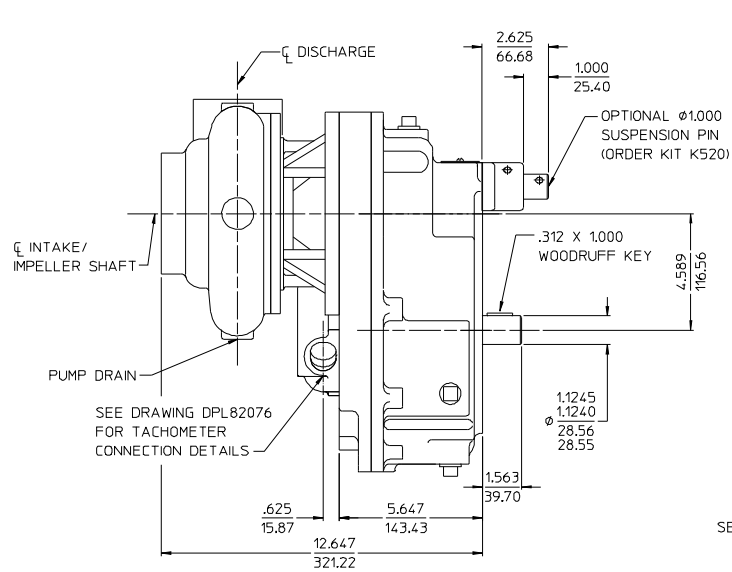


* BSP (BRITISH PIPE) THREADS ARE AVAILABLE AS STRAIGHT OR TAPERED. STRAIGHT THREADS ARE PER BS2779 FOR FITTINGS WHERE PRESSURE-TIGHT JOINTS ARE NOT MADE ON THE THREADS. TAPERED THREADS ARE PER BS21 FOR FITTINGS WHERE PRESSURE-TIGHT JOINTS ARE MADE ON THE THREADS.

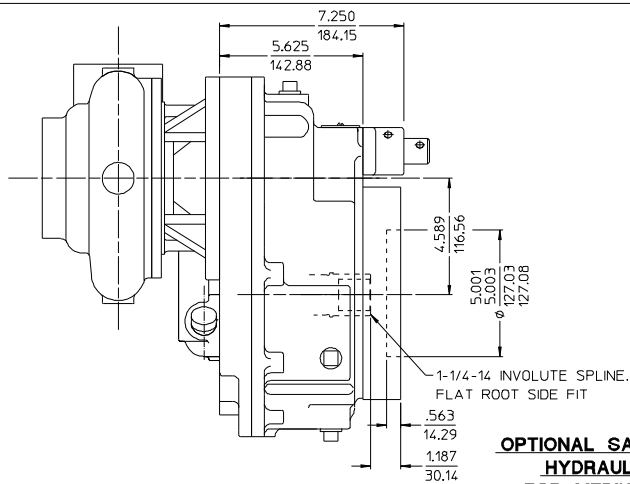
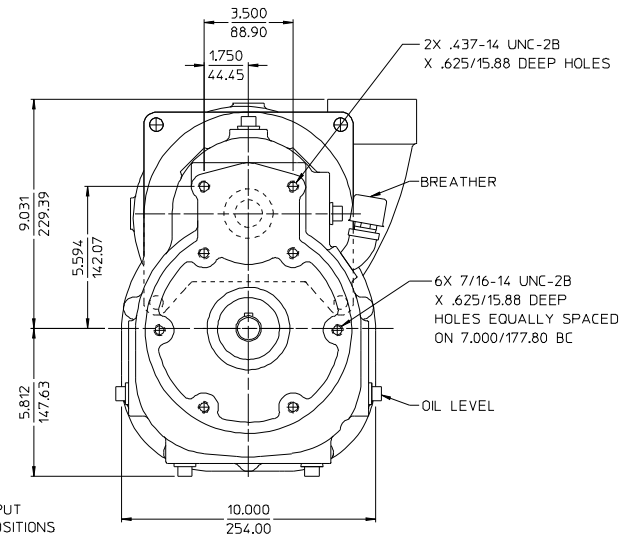
MODEL CP-2

BASIC PUMP DIMENSIONS
CLOCKWISE DRIVE SHAFT ROTATION (INPUT) SHOWN
SEE PAGES 2 AND 3 FOR OPTIONAL TRANSMISSIONS
SEE PAGE 4 FOR AVAILABLE DISCHARGE POSITIONS
(DISCHARGE FIGURE NO. 1 SHOWN)

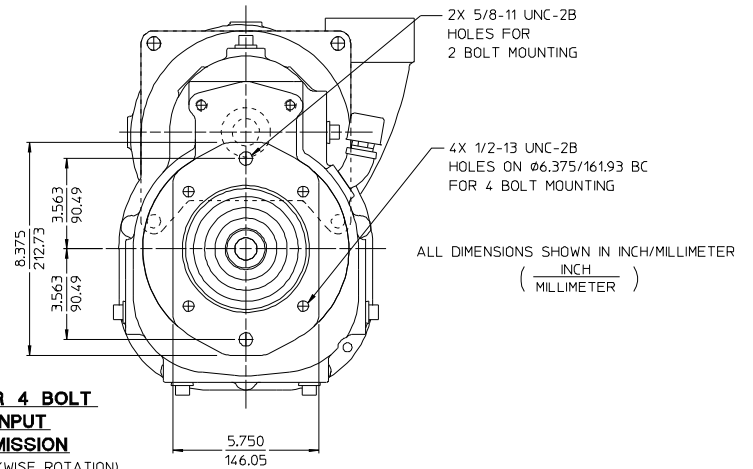
ALL DIMENSIONS SHOWN IN INCH/MILLIMETER
($\frac{\text{INCH}}{\text{MILLIMETER}}$)



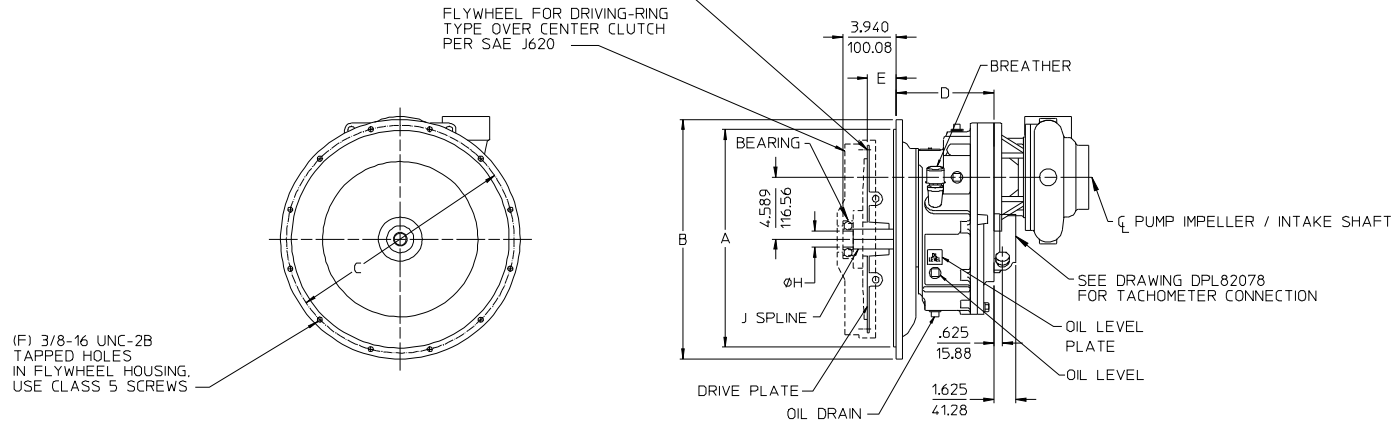
MODEL CPK-2
 MEDIUM DUTY K TRANSMISSION
 (TWO GEAR WITHOUT CLUTCH)
 CLOCKWISE OR COUNTERCLOCKWISE INPUT
 SEE PAGE 4 FOR AVAILABLE MOUNTING POSITIONS
 (VERTICAL MOUNTING SHOWN)
 SEE PAGE 1 FOR BASIC PUMP DIMENSIONS



OPTIONAL SAE CLASS "C" 2 OR 4 BOLT HYDRAULIC PUMP FLANGE INPUT FOR MEDIUM DUTY K TRANSMISSION
 (AVAILABLE FOR CLOCKWISE OR COUNTERCLOCKWISE ROTATION)



- (G) TAPPED HOLE SIZE IN FLYWHEEL
- (8) REQ'D FOR CLUTCH SIZES 10 & 11-1/2
USE GRADE 8 SCREWS FOR CLUTCHES 8, 10, & 11-1/2
USE GRADE 5 SCREWS FOR 6-1/2 CLUTCH
- (6) REQ'D FOR CLUTCH SIZES 8 & 6-1/2

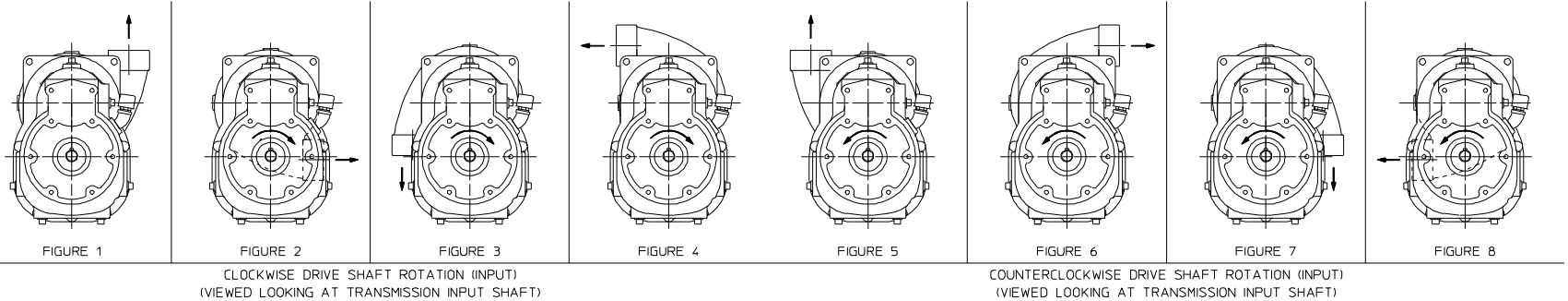


SAE BELLHOUSING					D	SAE FLYWHEEL			DRIVE PLATE		DRIVE SHAFT	
SIZE	A	B	C	F		CLUTCH NUMBER	E	G	PART NUMBER	TORQUE RATING	H	J
3	16.125 409.58	17.750 450.85	16.875 428.63	12	7.250 184.15	10	2.12 53.85	3/8-16	V2272	850 FT-LB 1152.6 JOULES	ϕ 1.1805 ϕ 1.1800	1-1/2-10 S.A.E.
4	14.250 361.95	15.875 403.23	15.000 381.00									
3	16.125 409.58	17.750 450.85	16.875 428.63			11-1/2	1.56 39.62		V2461	425 FT-LB 576.3 JOULES		
4	14.250 361.95	15.875 403.23	15.000 381.00			8	2.44 61.97					
5	12.375 314.32	14.000 355.60	13.125 333.38	8	6.25 158.75	6-1/2	1.19 30.23	5/16-18	V2865	N/A	ϕ .7868 ϕ .7858 ϕ 19.98 ϕ 19.96	1-15T INVOLUTE

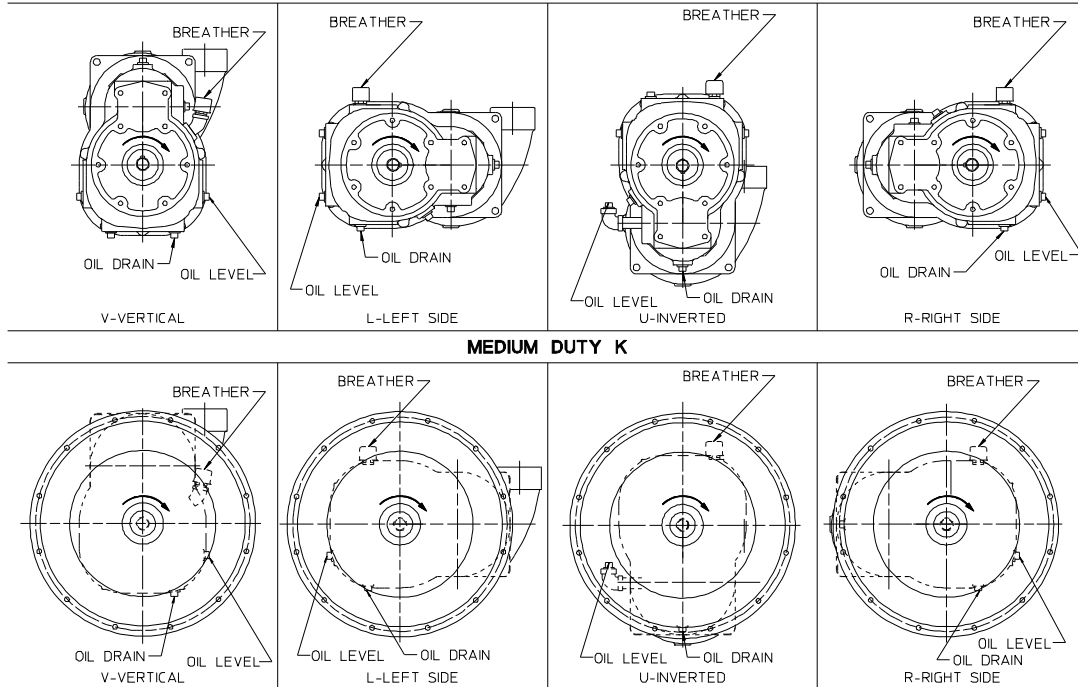
ALL DIMENSION SHOWN IN INCH/MILLIMETER
(INCH / MILLIMETER)

ALL DIMENSIONS SHOWN IN INCH/MILLIMETER
(INCH / MILLIMETER)

MODEL CPT-2
MEDIUM DUTY T TRANSMISSION
(TWO GEAR WITHOUT CLUTCH)
CLOCKWISE OR COUNTERCLOCKWISE INPUT
SEE PAGE 4 FOR AVAILABLE MOUNTING POSITIONS
(VERTICAL MOUNTING POSITION SHOWN)
SEE PAGE 1 FOR BASIC PUMP DIMENSIONS



AVAILABLE DISCHARGE POSITIONS



ORDERING INFORMATION:
 WHEN ORDERING SUPPLY THE FOLLOWING
 1. COMPLETE PUMP / TRANSMISSION MODEL:
 CPK2
 CPT2
 2. BASIC ASSEMBLY NUMBER 80202.
 3. SUFFIX LETTERS WHICH INDICATE TRANSMISSION MOUNTING POSITION AND DISCHARGE POSITION.

80202 - V 1

- DISCHARGE POSITION (ALSO INDICATES INPUT ROTATION).
 1, 2, 3, 4 CLOCKWISE INPUT — SEE TABLE ABOVE
 5, 6, 7, 8 COUNTERCLOCKWISE INPUT — SEE TABLE ABOVE
- TRANSMISSION MOUNTING — SEE TABLE AT LEFT
 - V-VERTICAL
 - L-LEFT SIDE
 - U-INVERTED
 - R-RIGHT SIDE
- BASIC ASSEMBLY NUMBER

AVAILABLE TRANSMISSION MOUNTING POSITIONS
 (CLOCKWISE ROTATIONS SHOWN, MOUNTING POSITIONS ALSO APPLY TO COUNTERCLOCKWISE ROTATIONS)