

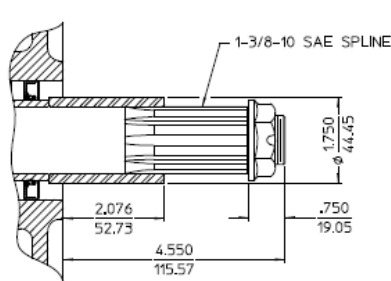


Document Number	Issue Date	Rev. Date
DPL83063	12/11/08	10/2/15

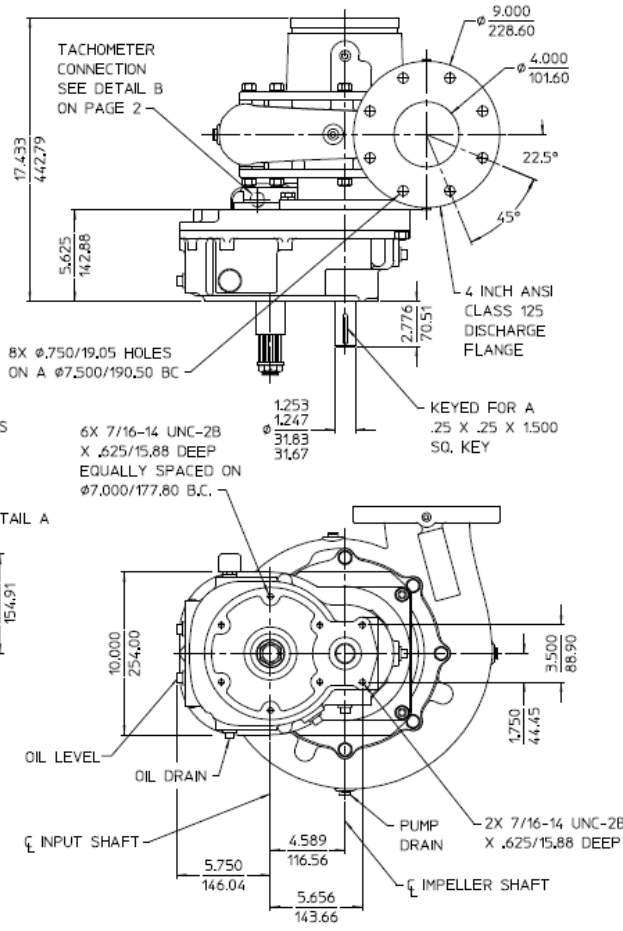
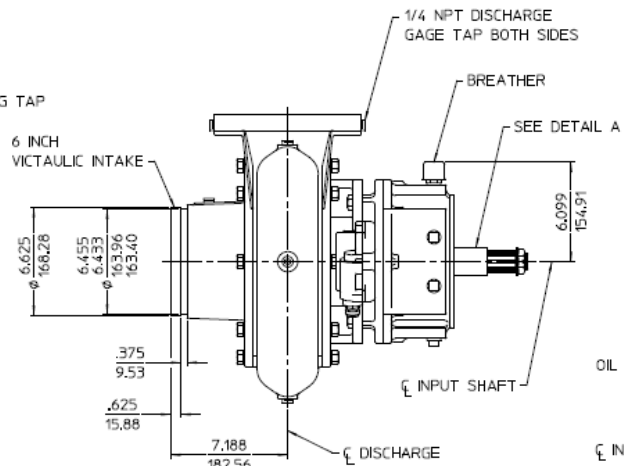
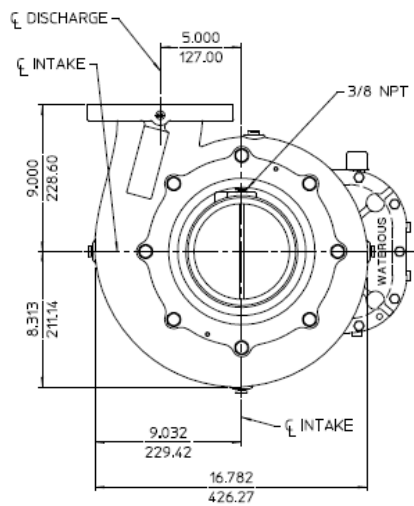
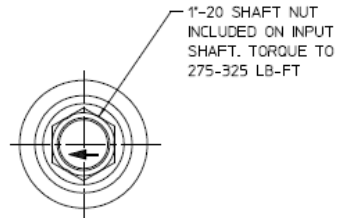
CXVK Pump with Extended Driven Shaft Dimensional Drawings

Contents: Pump and Transmission

Pump Model	Transmission	Input Shaft / Tachometer	See Page
CXVK	K Series, Two Gear Increaser Without Clutch, PTO Drive	1-3/8-10 SAE Spline	2
		Mechanical Drive Tachometer Connection	3



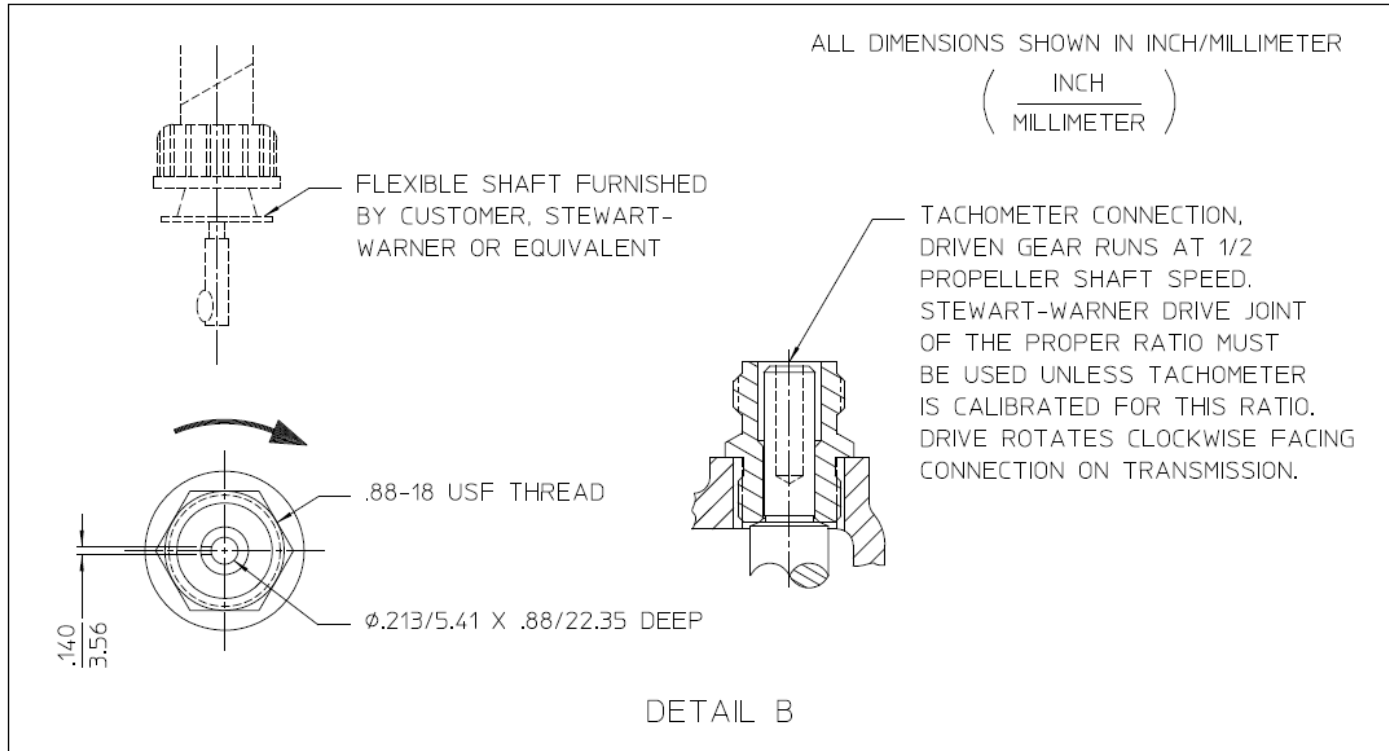
DETAIL A
INPUT SHAFT



ALL DIMENSIONS SHOWN AS INCH/MILLIMETER
 (INCH / MILLIMETER)

CXVK WITH EXTENDED DRIVEN SHAFT

AVAILABLE CONFIGURED AS FOLLOWS:
 INPUT ROTATION: CW
 DISCHARGE POSITION: UP
 TRANSMISSION MOUNTING: LEFT (HORIZONTAL)



MECHANICAL DRIVE TACHOMETER CONNECTION