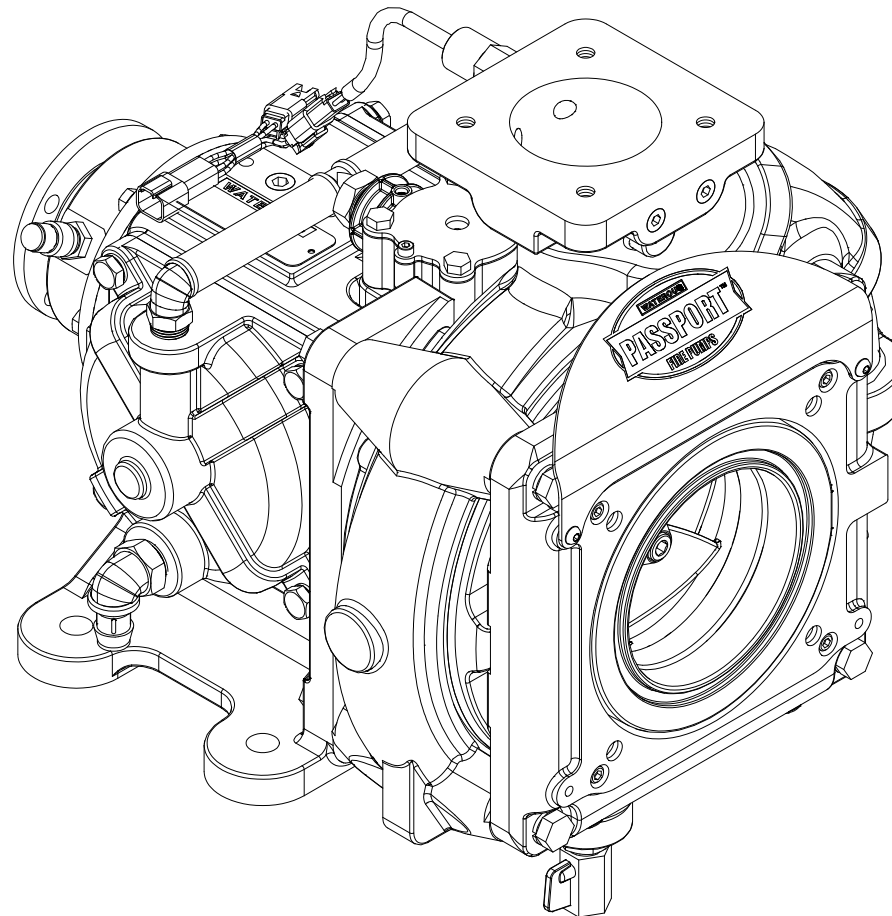
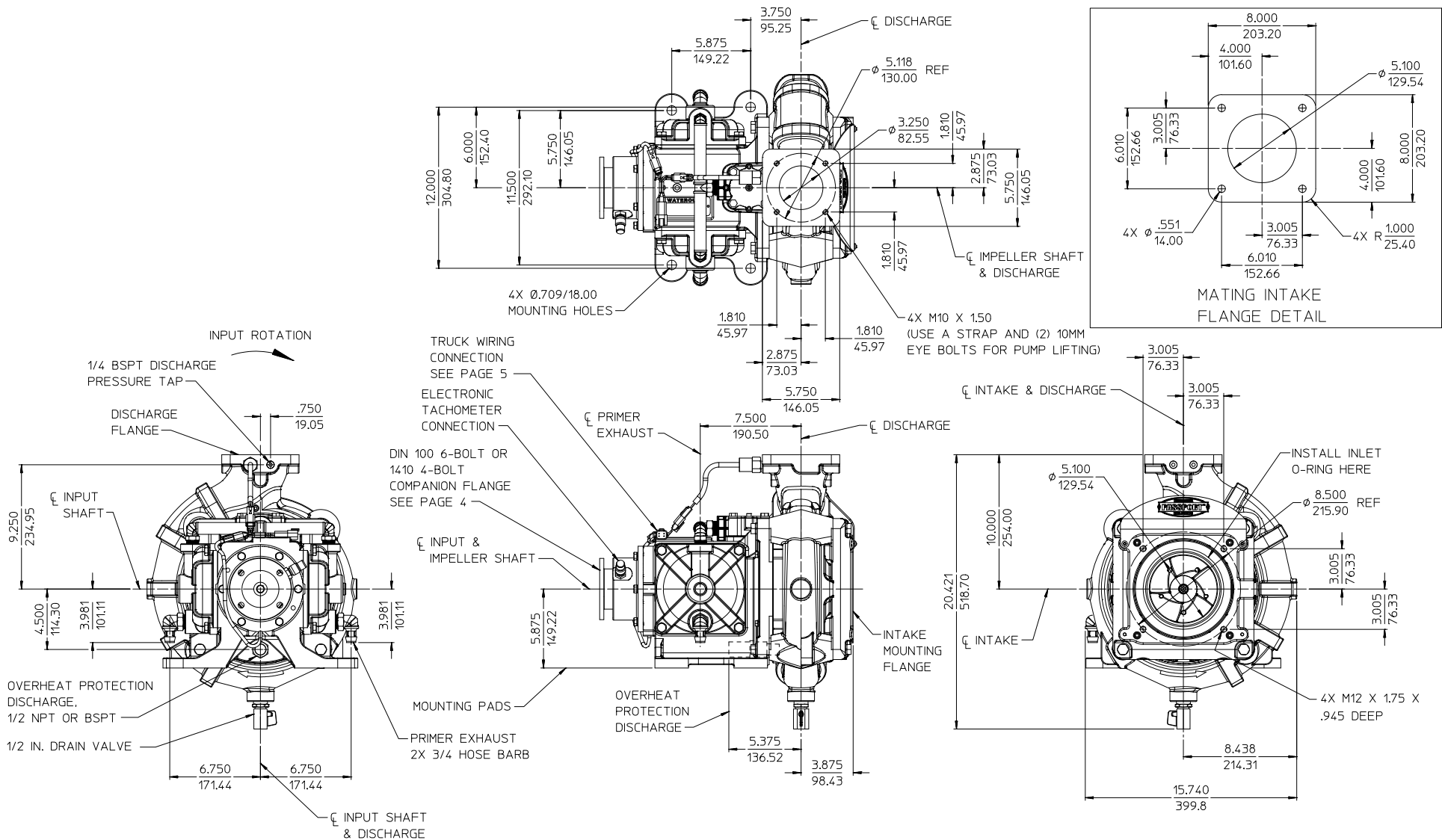




Document Number	Issue Date	Rev. Date
DPL83305	02/06/13	05/17/13

## S200-P Passport™ Series Pump Dimensional Drawings

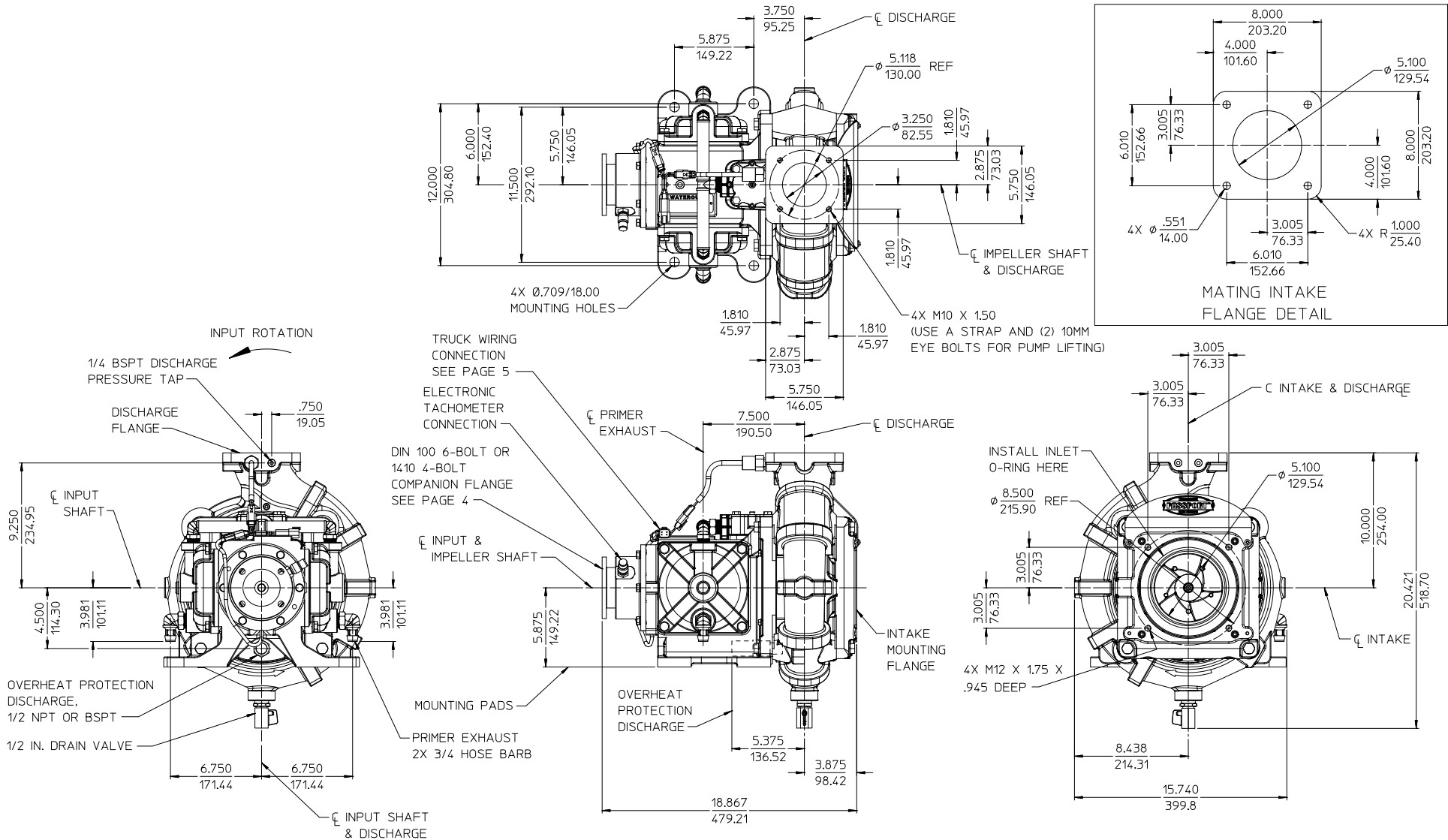




ALL DIMENSIONS SHOWN AS INCH/MILLIMETER

( INCH / MILLIMETER )

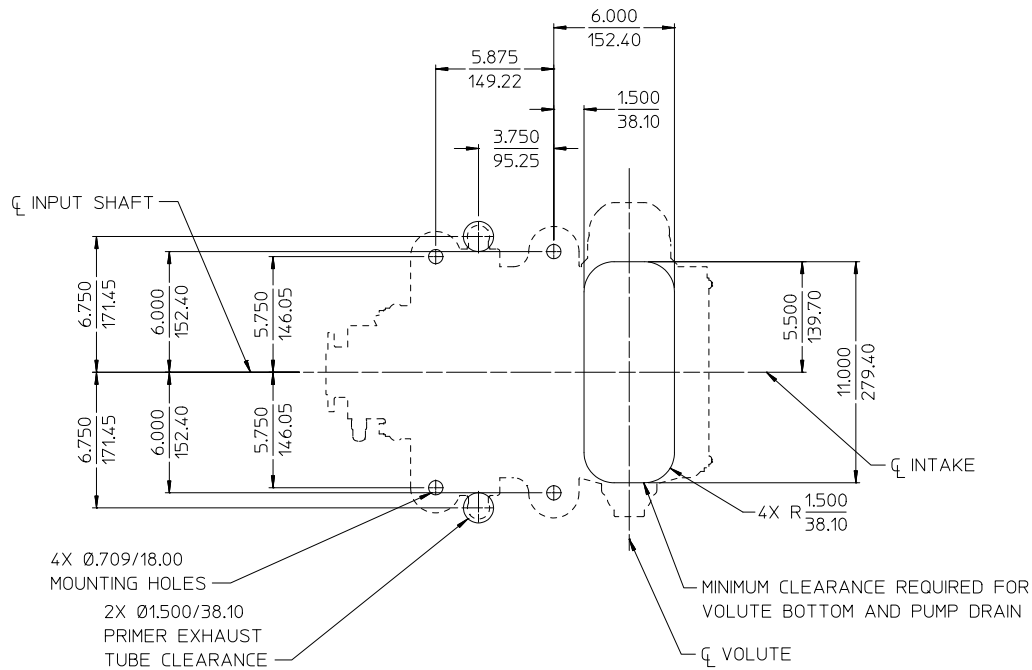
**PUMP DIMENSIONS**  
CLOCKWISE INPUT ROTATION



ALL DIMENSIONS SHOWN AS INCH/MILLIMETER

( INCH / MILLIMETER )

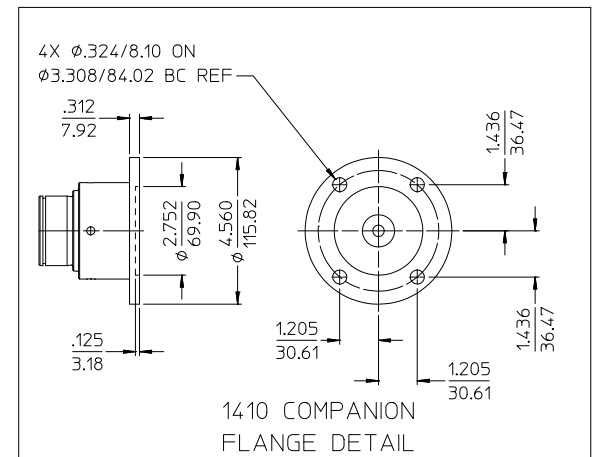
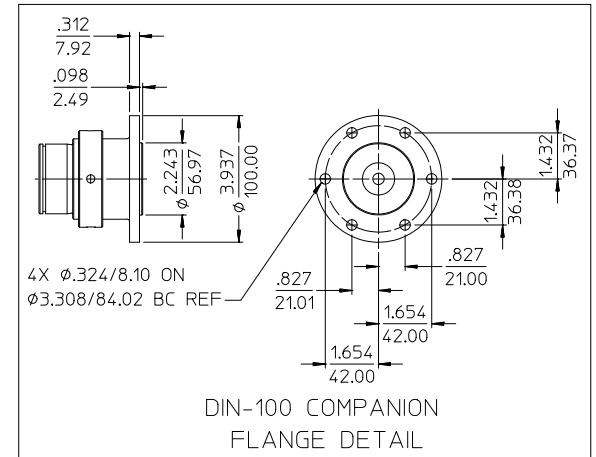
**PUMP DIMENSIONS**  
COUNTER-CLOCKWISE INPUT ROTATION



**PUMP MOUNTING HOLE LOCATIONS AND CLEARANCE REQUIREMENTS**

ALL DIMENSIONS SHOWN AS INCH/MILLIMETER

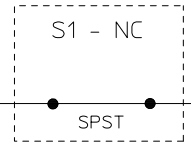
$\left( \frac{\text{INCH}}{\text{MILLIMETER}} \right)$



**COMPANION FLANGE DETAILS**

+12 OR +24 VDC  
AUXILIARY DRIVE ENGAGEMENT

\*OPTIONAL  
-MANUAL OVERRIDE SHUTOFF  
-PRIMER ARMING

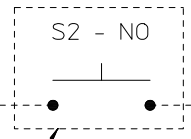


DEUTSCH MALE CONNECTOR  
DT06-4S  
WITH PIN P/N: 1062-16-0122

PRIMING PUMP  
WIRE PLUG

DEUTSCH FEMALE CONNECTOR  
DT04-4P  
WITH PIN P/N: 1060-16-0122

\*OPTIONAL  
-MANUAL PRIMER  
BUSH BUTTON SWITCH

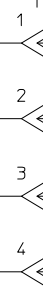


FOR MANUAL PRIMER OPERTAION  
ONLY. REMOVE J1 AND INSTALL S2.



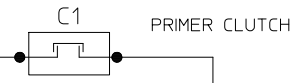
SUPPLIED BY INSTALLER ←

→ SUPPLIED WITH PUMP



BLUE  
BLACK  
WHITE  
GREEN

PS1 - NC PRESSURE SWITCH  
(MANOMETRIC) 0.7 BAR/10PSI



**PRIMING PUMP WIRING**

12 OR 24 VDC