



Document Number	Issue Date	Rev. Date
<b>SPL82903</b>	<b>04/12/06</b>	<b>04/17/14</b>

## Transmission Oil Cooler Service Parts List

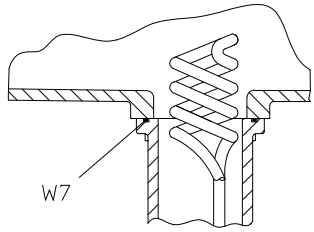
### Index:

Transmission		See Pages		
Series	Model	Mounting on Transmission	Components of Oil Cooler Subassembly	Hose Schematic
C10	C10B C10C C10D C10E C10F	2, 3	8, 9	10, 11
	C20B C20C C20D C20E C20F			
Y	YB, YBX YC, YCX YD, YDX YE, YEX YF, YFX	6, 7		

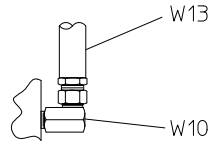
## Mounting on C10 Series Transmission

REF. NO.	DESCRIPTION
W5	Hex Hd Screw, 7/16-14 x 1 in.
W7	O-ring, 3-1/2 x 3-3/4 in.
W10	Adapter Union, 90° , 3/8 in.
W11	Oil Cooler Subassembly
W12	Hose Assembly, 48 in. Long, 3/8 NPT
W13	Hose Assembly, 53 in. Long, 3/8 NPT
W14	Hose Assembly, 66 in. Long, 3/8 NPT

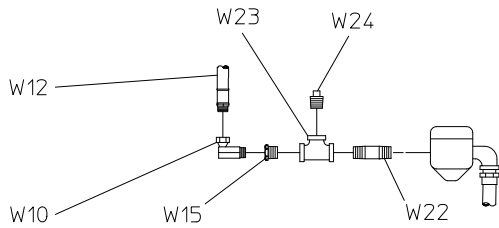
REF. NO.	DESCRIPTION
W15	Bushing, 1/2 x 3/8 in.
W19	Cable Tie
W20	Conduit Clamp
W21	Hex Hd Screw, 1/4-20 x 1/2 in.
W22	Pipe Nipple, 1/2 in. NPT x 1-1/8 in.
W23	Pipe Tee, 1/2 in. NPT
W24	Pipe Plug, 1/2 in. NPT, Square Hd



DETAIL A

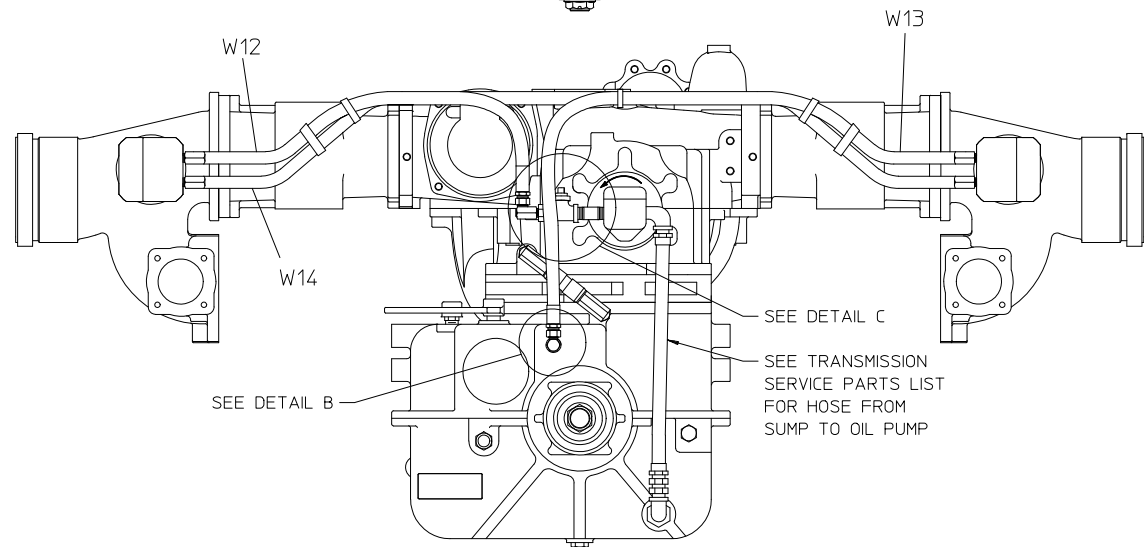
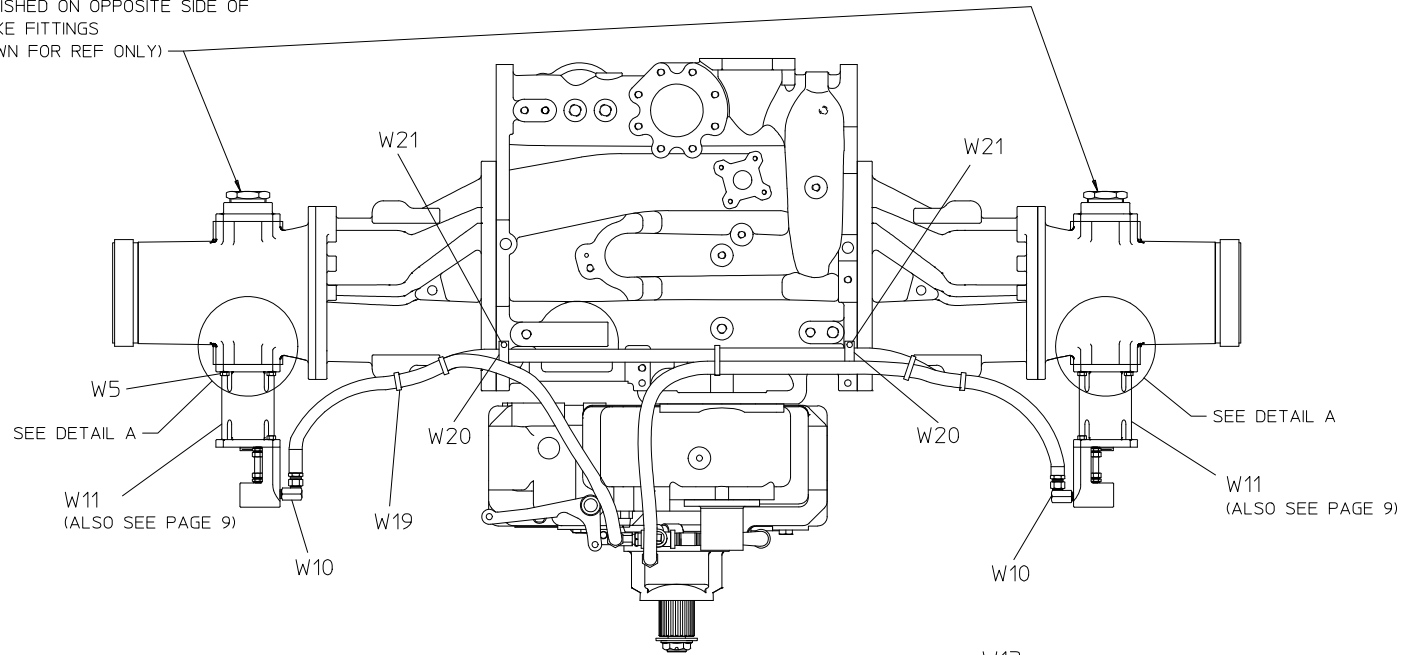


DETAIL B



DETAIL C

ZINC ANODE USUALLY  
FURNISHED ON OPPOSITE SIDE OF  
INTAKE FITTINGS  
(SHOWN FOR REF ONLY)

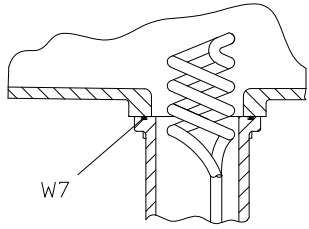


**MOUNTING ON C10 SERIES TRANSMISSIONS**

## Mounting on C20 Series Transmission

REF. NO.	DESCRIPTION
W5	Hex Hd Screw, 7/16-14 x 1 in.
W7	O-ring, 3-1/2 x 3-3/4 in.
W10	Adapter Union, 90° , 3/8 in.
W11	Oil Cooler Subassembly
W12	Hose Assembly, 48 in. Long, 3/8 NPT
W13	Hose Assembly, 53 in. Long, 3/8 NPT
W14	Hose Assembly, 66 in. Long, 3/8 NPT

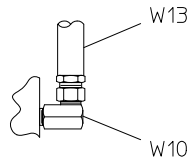
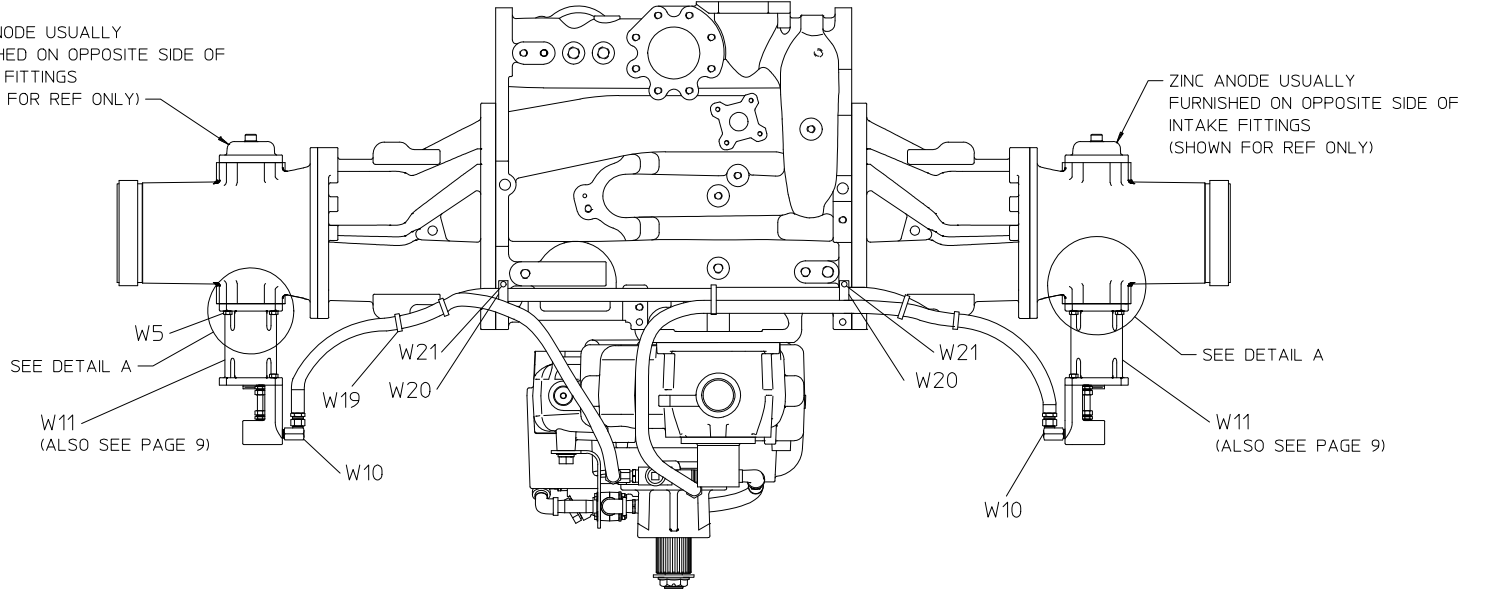
REF. NO.	DESCRIPTION
W15	Bushing, 1/2 x 3/8 in.
W19	Cable Tie
W20	Conduit Clamp
W21	Hex Hd Screw, 1/4-20 x 1/2 in.
W22	Pipe Nipple, 1/2 in. NPT x 1-1/8 in.
W23	Pipe Tee, 1/2 in. NPT
W24	Pipe Plug, 1/2 in. NPT, Square Hd



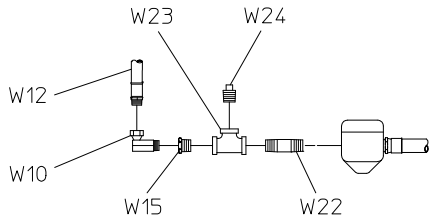
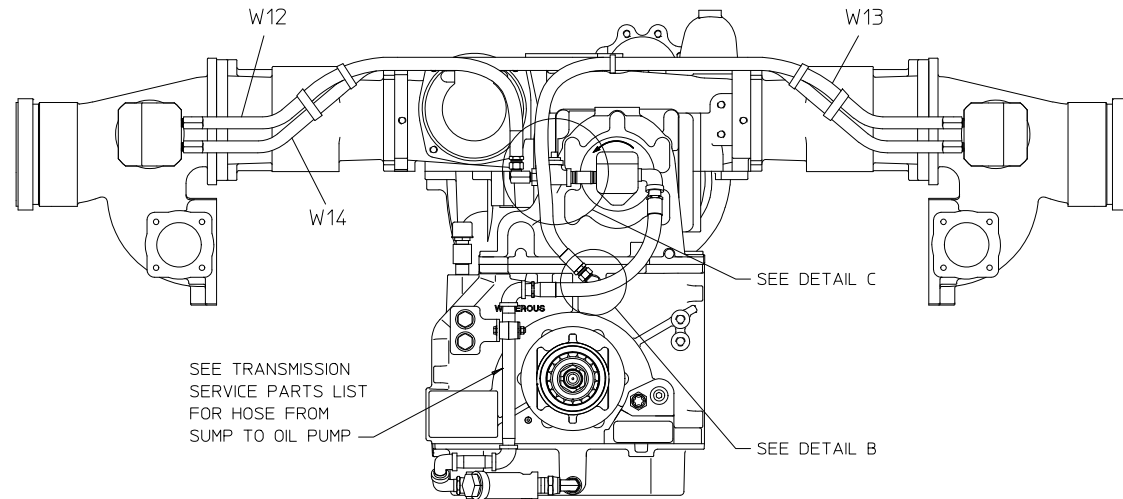
DETAIL A

ZINC ANODE USUALLY FURNISHED ON OPPOSITE SIDE OF INTAKE FITTINGS (SHOWN FOR REF ONLY)

ZINC ANODE USUALLY FURNISHED ON OPPOSITE SIDE OF INTAKE FITTINGS (SHOWN FOR REF ONLY)



DETAIL B



DETAIL C

SEE TRANSMISSION SERVICE PARTS LIST FOR HOSE FROM SUMP TO OIL PUMP

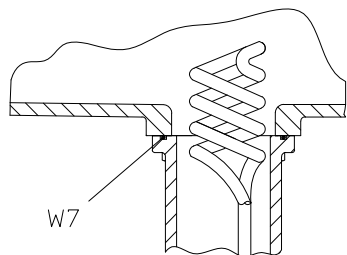
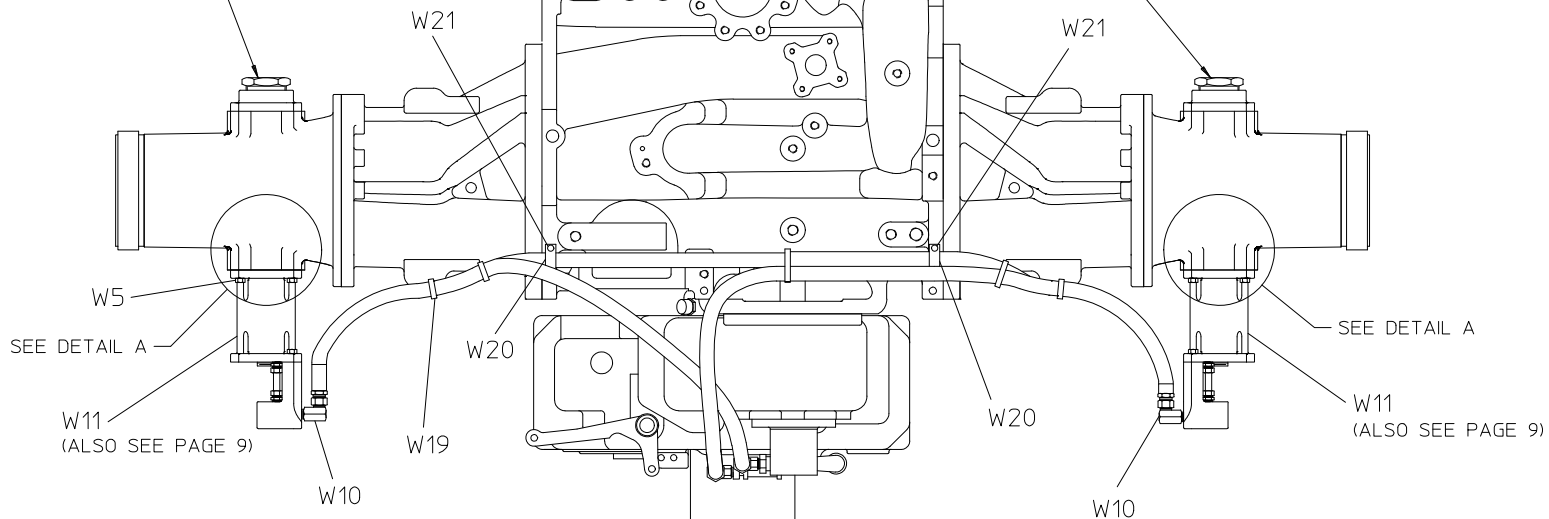
**MOUNTING ON C20 SERIES TRANSMISSIONS**

## Mounting on Y Series Transmission

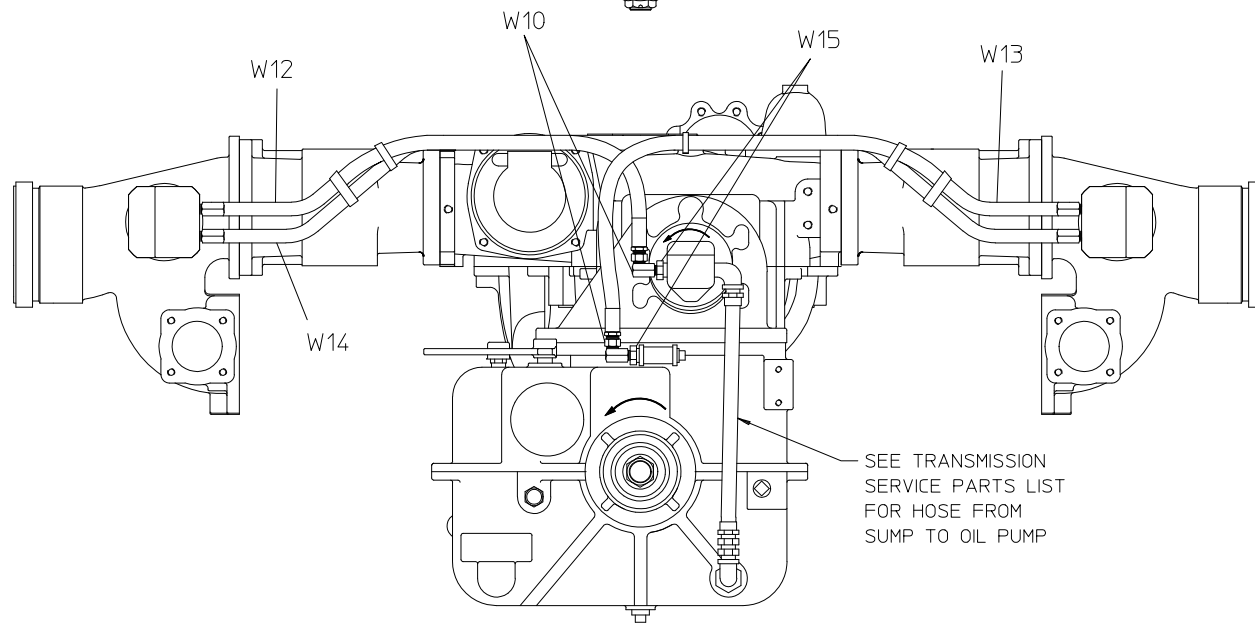
REF. NO.	DESCRIPTION
W5	Hex Hd Screw, 7/16-14 x 1 in.
W7	O-ring, 3-1/2 x 3-3/4 in.
W10	Adapter Union, 90° , 3/8 in.
W11	Oil Cooler Subassembly
W12	Hose Assembly, 48 in. Long, 3/8 NPT
W13	Hose Assembly, 53 in. Long, 3/8 NPT
W14	Hose Assembly, 66 in. Long, 3/8 NPT

REF. NO.	DESCRIPTION
W15	Bushing, 1/2 x 3/8 in.
W19	Cable Tie
W20	Conduit Clamp
W21	Hex Hd Screw, 1/4-20 x 1/2 in.
W22	Pipe Nipple, 1/2 in. NPT x 1-1/8 in.
W23	Pipe Tee, 1/2 in. NPT
W24	Pipe Plug, 1/2 in. NPT, Square Hd

ZINC ANODE USUALLY  
FURNISHED ON OPPOSITE SIDE OF  
INTAKE FITTINGS  
(SHOWN FOR REF ONLY)



DETAIL A



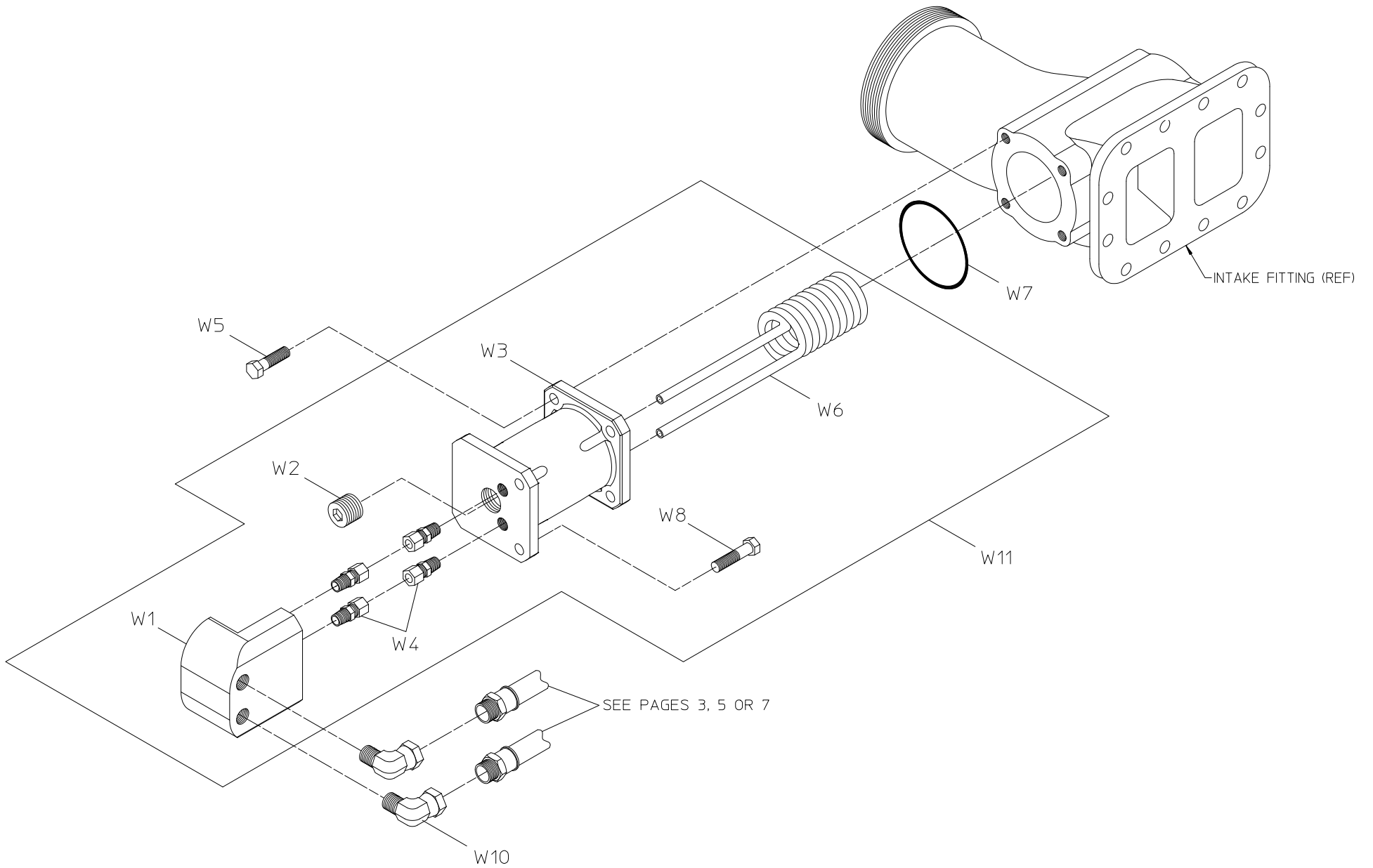
**MOUNTING ON Y SERIES TRANSMISSIONS**

## Components of Oil Cooler Subassembly

REF. NO.	DESCRIPTION
W1	Oil Cooler Adapter
W2	Headless Pipe Plug, 3/4 in.
W3	Oil Cooler Extension
W4	Tube Connector
W5	Hex Hd Screw, 7/16-14 x 1 in.
W6	Oil Cooler Tubing

REF. NO.	DESCRIPTION
W7	O-ring, 3-1/2 x 3-3/4 in.
W8	Hex Hd Screw, 7/16-14 x 1-1/4 in.
W10	Adapter Union, 90° , 3/8 in.
W11	Oil Cooler Subassembly



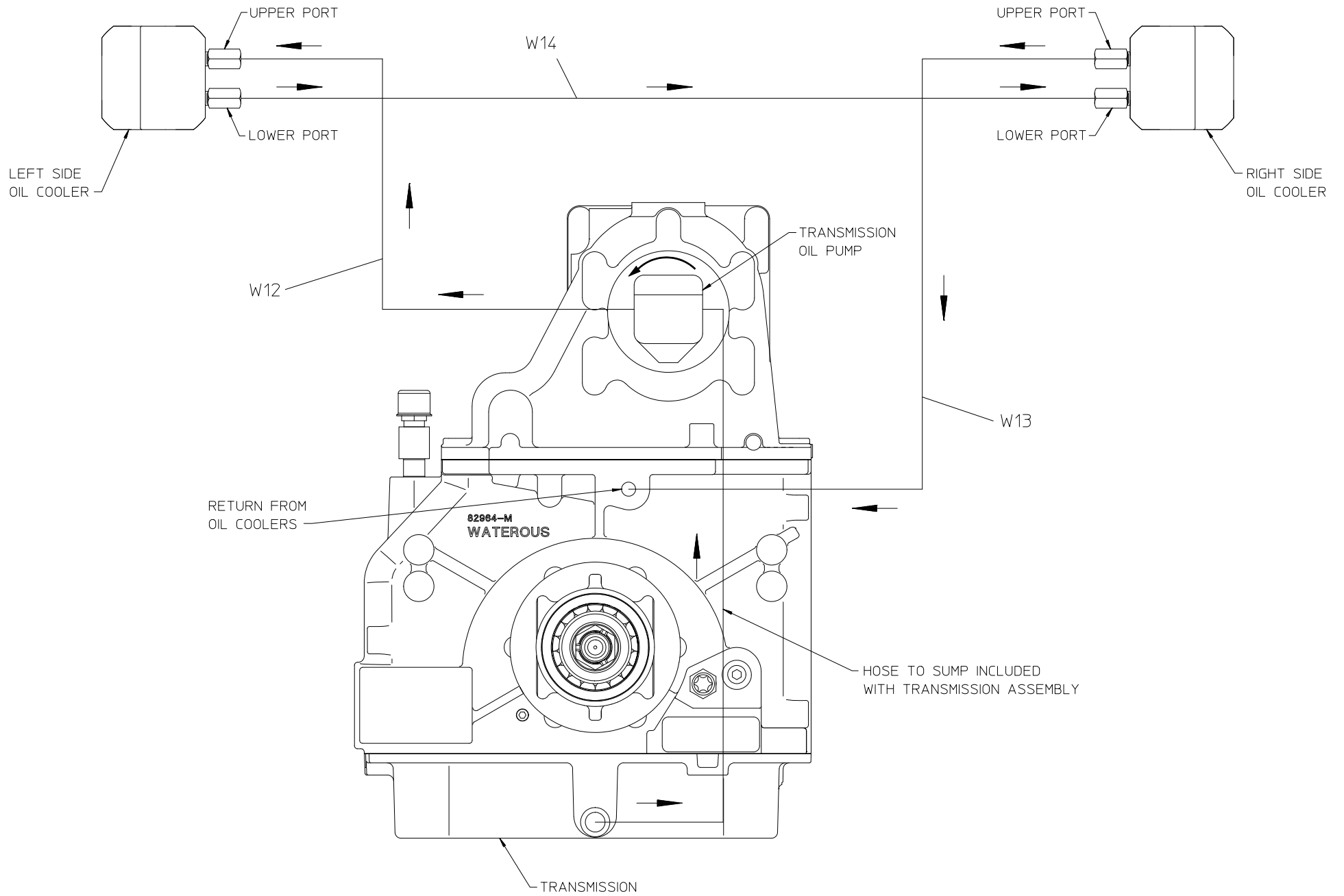


**COMPONENTS OF OIL COOLER SUBASSEMBLY**

## Hose Schematic

REF. NO.	DESCRIPTION
W12	Hose Assembly, 48 in. Long, 3/8 NPT
W13	Hose Assembly, 53 in. Long, 3/8 NPT

REF. NO.	DESCRIPTION
W14	Hose Assembly, 66 in. Long, 3/8 NPT



**HOSE SCHEMATIC**