



Document Number	Issue Date	Rev. Date
<b>SPL 80729</b>	<b>01/71</b>	<b>3/18/15</b>

## CGV Series Body Assembly Service Parts List

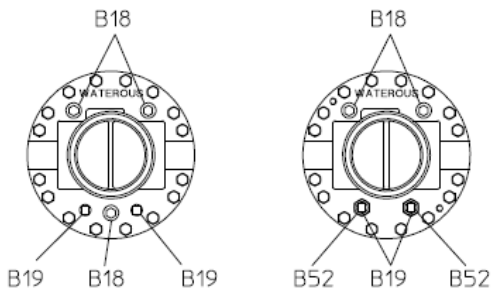
Index:

<b>Models</b>	<b>See Page</b>
CGV, CGVN CGVR	2, 3
CGVG	4, 5

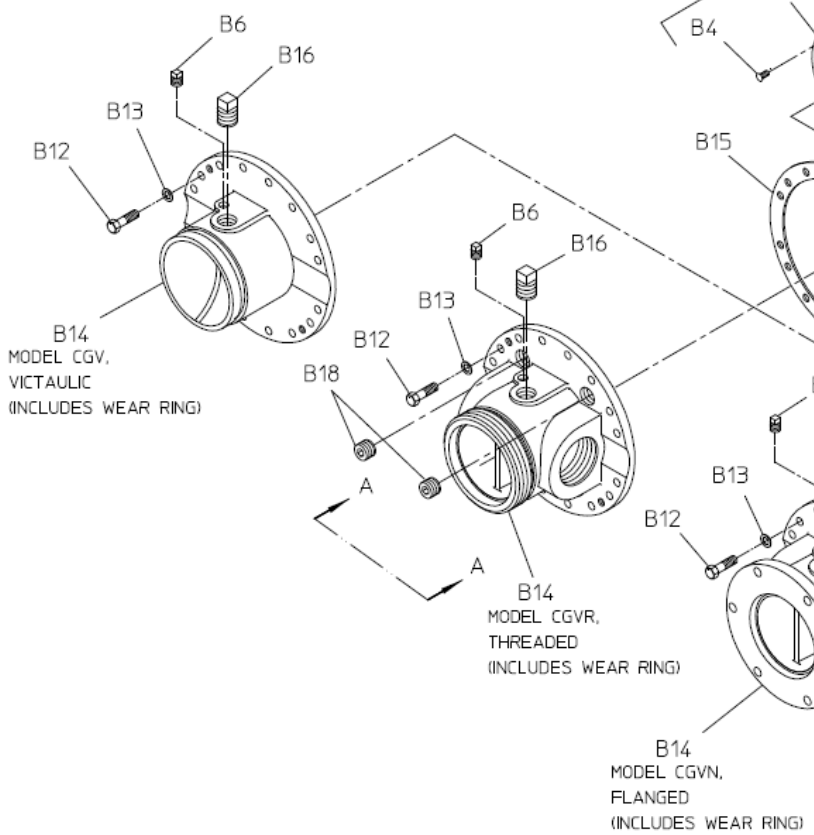
## Models CGV, CGVN, CGVR

REF. NO.	DESCRIPTION
B2	O-ring, 4-1/4 X 4-1/2 in.
B3	Packing or Mechanical Seal Housing
B4	Flat Hd Machine Screw, SS, 5/16-18 x 3/4 in.
B5	Volute Body (Includes Wear Ring, B2, B3, B4)
B6	Square Hd Pipe Plug, 1/4 in.
B7	Discharge Adapter
B8	O-ring, 3-3/8 x 3-5/8 in.
B9	Hex Hd Bolt, 5/8-18 x 2-1/4 in., Grade 5
B10	Hex Nut, 5/8-18
B11	Lock Washer, 5/8 in.

REF. NO.	DESCRIPTION
B12	Hex Hd Bolt, 7/16-14 x 1-1/4 in., Grade 5
B13	Lock Washer, 7/16 in.
B14	Threaded or Flanged Victaulic Intake Adapter (Includes Wear Ring)
B15	Intake Adapter Gasket
B16	Square Hd Pipe Plug, 3/4 in.
B18	Square Socket Pipe Plug, 3/4 in.
B19	Square Hd Pipe Plug, 3/8 in.
B52	Reducing Bushing, 3/4 in. x 3/8 in. NPT
B54	Flat Washer, 1/2



VIEW A-A  
MODEL CGVR INTAKE  
ADAPTER PIPE PLUG VARIATIONS



PACKING CONFIGURATION

B5 INCLUDES WEAR RING, SEAL HOUSING, O-RING AND FLAT HEAD SCREWS

OPTIONAL DISCHARGE ADAPTER

TRANSMISSION MOUNTING FLANGE

B54 USED AFTER MARCH 16, 2015

MECHANICAL SEAL CONFIGURATION

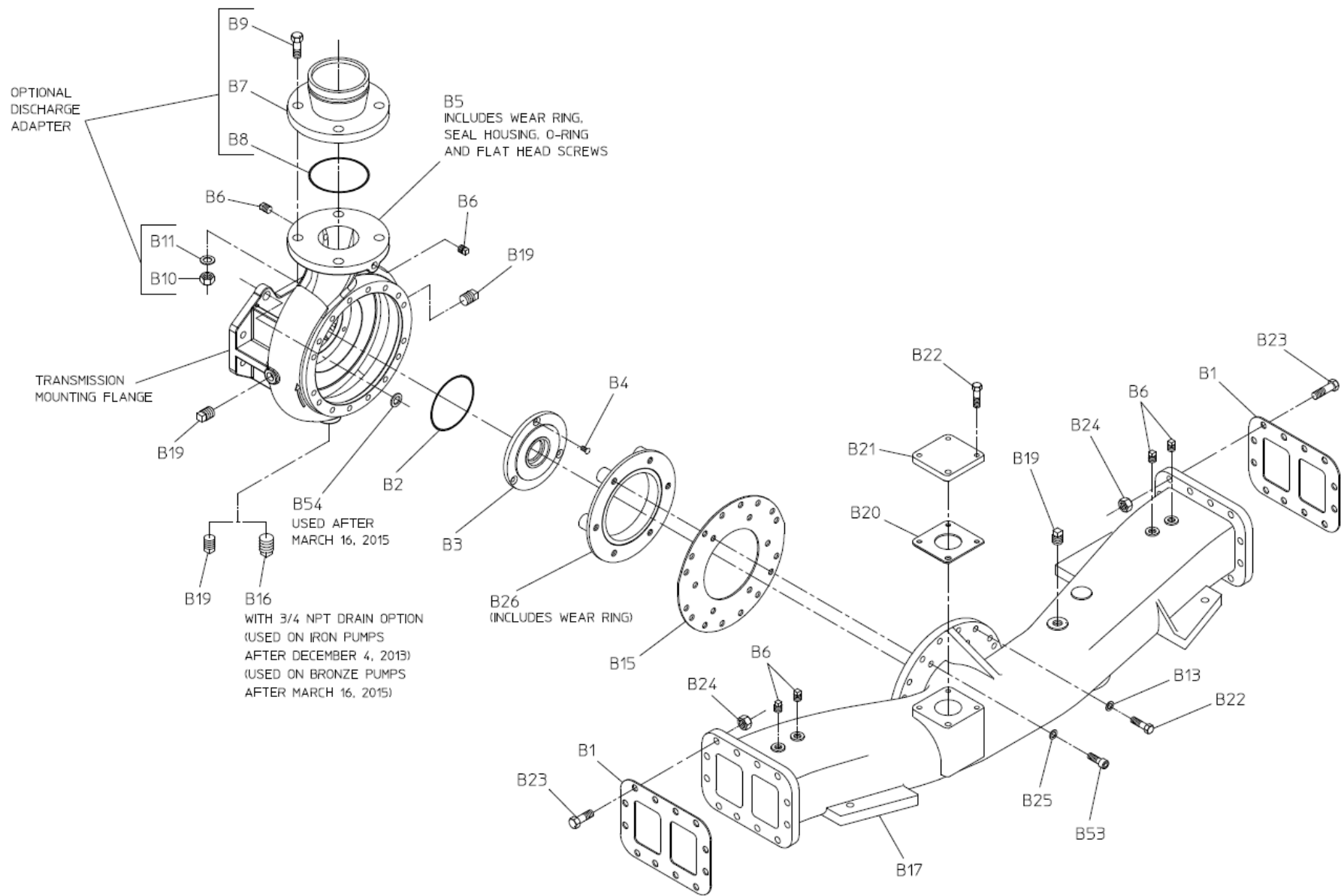
WITH 3/4 NPT DRAIN OPTION  
(USED ON IRON PUMPS  
AFTER DECEMBER 4, 2013)  
(USED ON BRONZE PUMPS  
AFTER MARCH 16, 2015)

**MODELS CGV, CGVR & CGVN**

## Model CGVG

REF. NO.	DESCRIPTION
B1	Intake Fitting Gasket
B2	O-ring, 4-1/4 X 4-1/2 in.
B3	Packing or Mechanical Seal Housing
B4	Flat Hd Machine Screw, SS, 5/16-18 x 3/4 in.
B5	Volute Body (Includes Wear Ring, B2, B3, B4)
B6	Square Hd Pipe Plug, 1/4 in.
B7	Discharge Adapter
B8	O-ring, 3-3/8 x 3-5/8 in.
B9	Hex Hd Bolt, 5/8-18 x 2-1/4 in., Grade 5
B10	Hex Nut, 5/8-18
B11	Lock Washer, 5/8 in.
B13	Lock Washer, 7/16 in.
B15	Intake Adapter Gasket

REF. NO.	DESCRIPTION
B16	Square Hd Pipe Plug, 3/4 in.
B17	Crosspipe
B19	Square Hd Pipe Plug, 3/8 in.
B20	Blind Flange Gasket
B21	Blind Flange
B22	Hex Hd Bolt, 7/16-14 x 1-1/4 in., Grade 5
B23	Hex Hd Bolt, 1/2-20 x 2 in., Grade 5
B24	Hex Nut, 7/16-20
B25	Flat Copper Washer, 7/16 in.
B26	Wear Ring Housing (Includes Wear Ring)
B53	Socket Hd Bolt, 7/16-14 x 1-1/4 in.
B54	Flat Washer, 1/2



MODEL CGVG